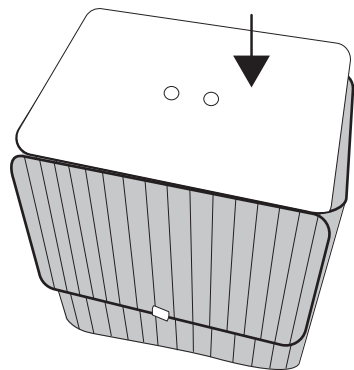
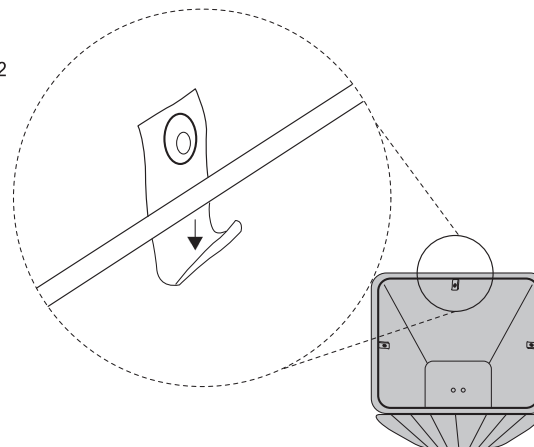


STEP 1



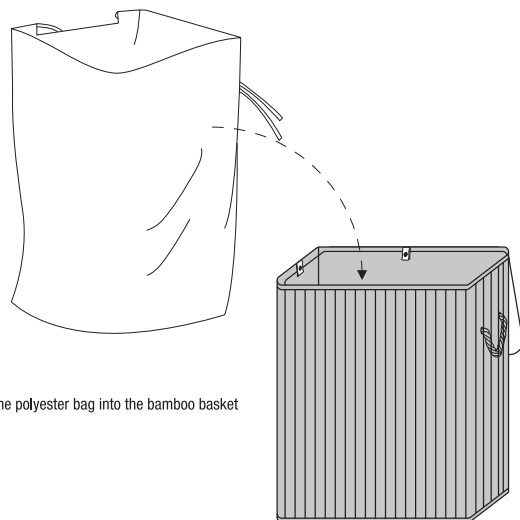
Attention: Keep the lid, baseboard, and iron ring parallel during assembling.

STEP 2



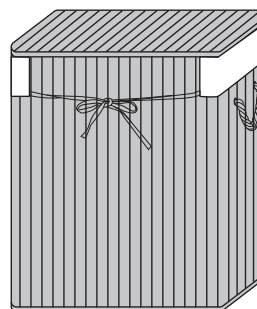
Secure the metal ring at the opening by fastening the button tightly

STEP 3



Put the polyester bag into the bamboo basket

STEP 4



Tie the rope to the back of the bamboo basket

STEP 5

