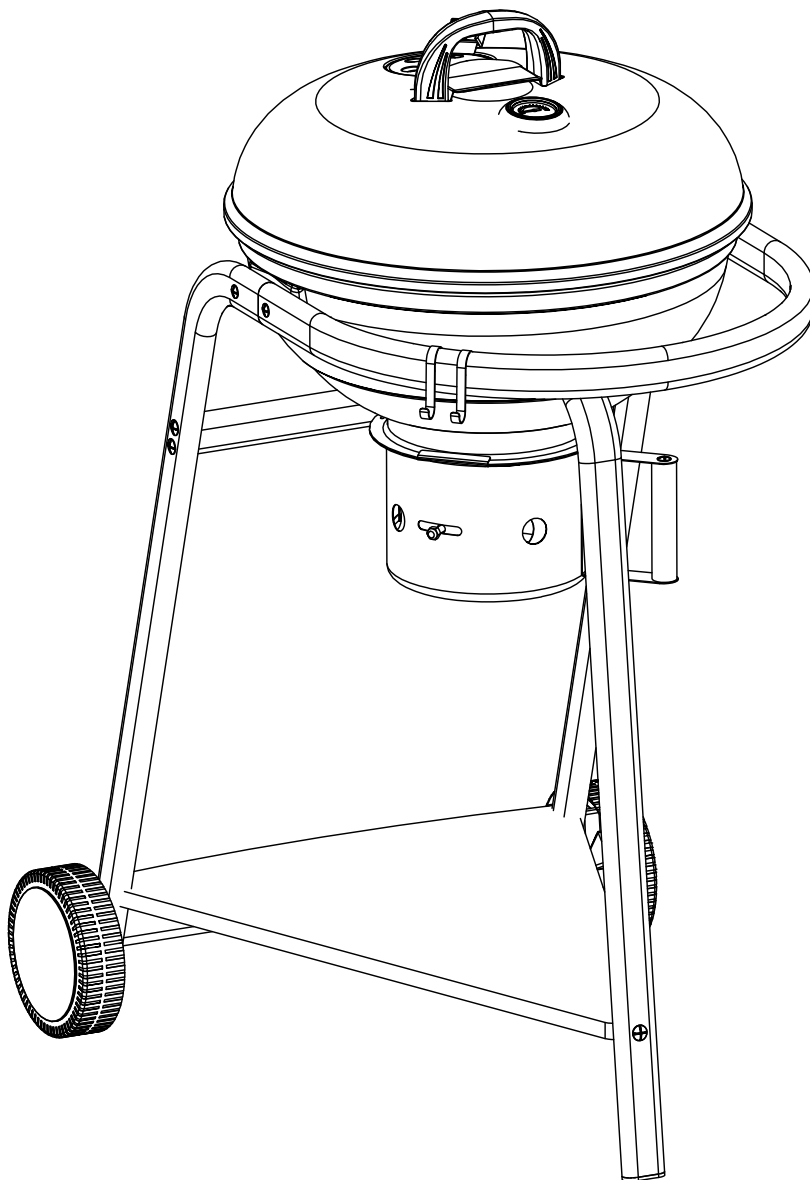
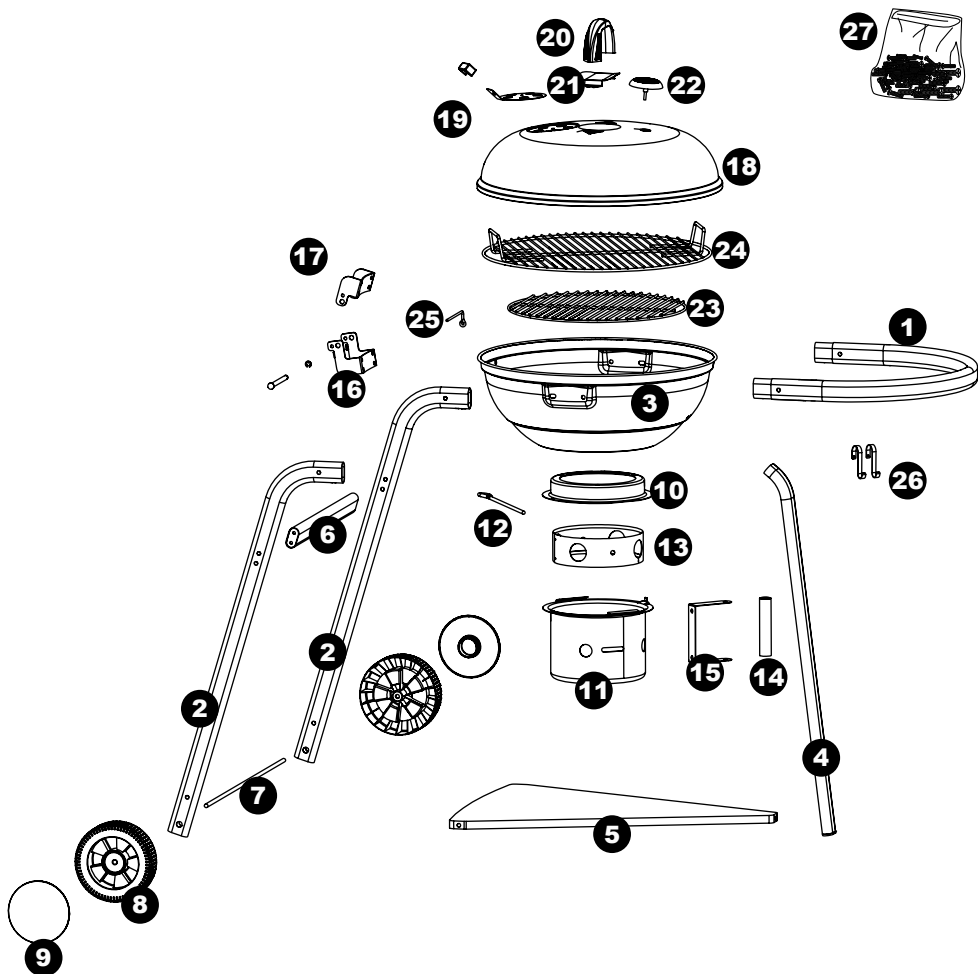


TOM 317470i (NF)





| | | |
|--|-------------|----|
| | Ø 3,5 x 9,5 | 2 |
| | Ø 4 x 12 | 1 |
| | Ø 6 x 30 | 11 |
| | Ø 6 x 16 | 2 |
| | Ø 6 x 12 | 17 |
| | Ø 8 | 1 |
| | Ø 6 | 24 |


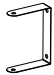

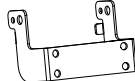
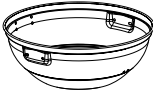
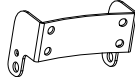

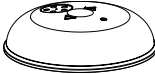


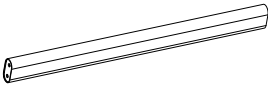
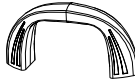




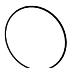




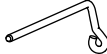

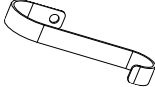
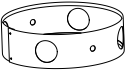

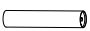
| | | |
|-----------|-----|----|
| | Ø 4 | 1 |
| fibre | Ø 6 | 14 |
| fibre | Ø 4 | 1 |
| | Ø 8 | 2 |
| | Ø 6 | 21 |
| Brake nut | Ø 4 | 1 |
| | Ø 8 | 1 |
| | Ø 8 | 1 |



APPAREILS MÉNAGERS
UTILISANT DES COMBUSTIBLES
LIQUIDES OU SOLIDES
www.marque-nf.com

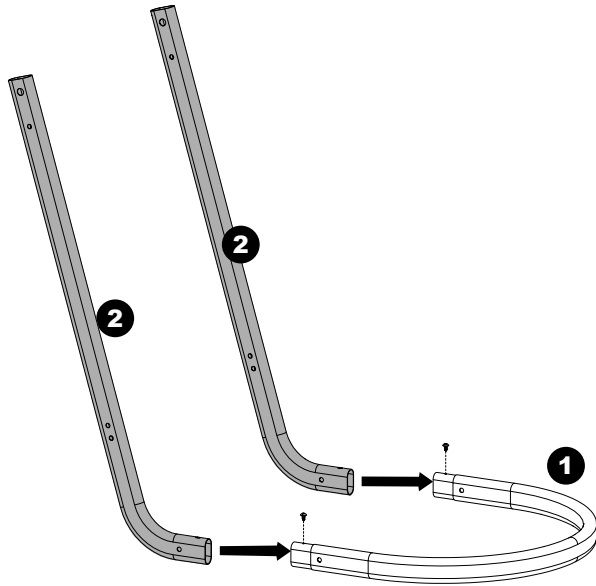
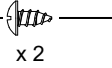
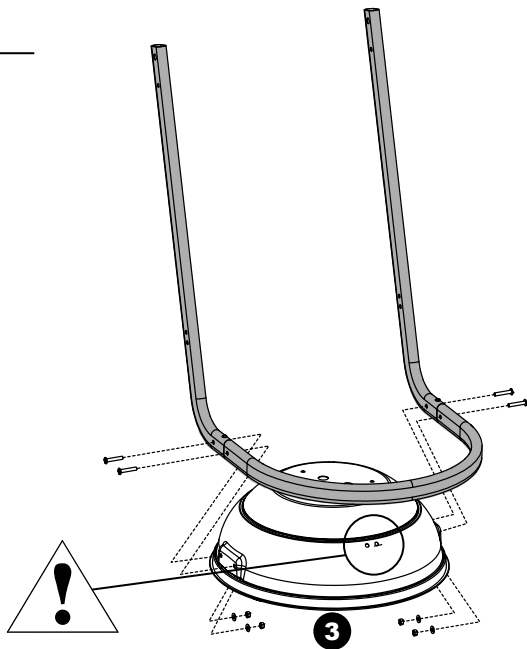
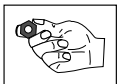
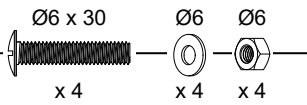


DOMESTIC APPLIANCES
USING LIQUID OR SOLID FUELS
www.marque-nf.com

| | | | | | |
|-----------|---|-----|-----------|---|-----|
| 1 |  | x 1 | 15 |  | x 1 |
| 2 |  | x 2 | 16 |  | x 1 |
| 3 |  | x 1 | 17 |  | x 1 |
| 4 |  | x 1 | 18 |  | x 1 |
| 5 |  | x 1 | 19 |  | x 1 |
| 6 |  | x 1 | 20 |  | x 1 |
| 7 |  | x 1 | 21 |  | x 1 |
| 8 |  | x 2 | 22 |  | x 1 |
| 9 |  | x 2 | 23 |  | x 1 |
| 10 |  | x 1 | 24 |  | x 1 |
| 11 |  | x 1 | 25 |  | x 1 |
| 12 |  | x 1 | 26 |  | x 2 |
| 13 |  | x 1 | 27 |  | x 1 |
| 14 |  | x 1 | | | |

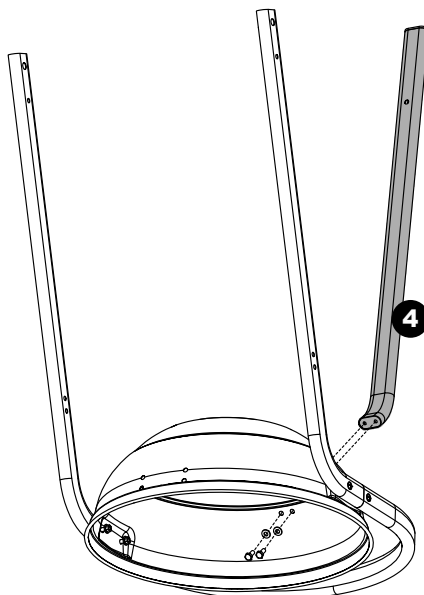
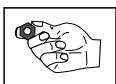
1

Ø3,5 x 9,5

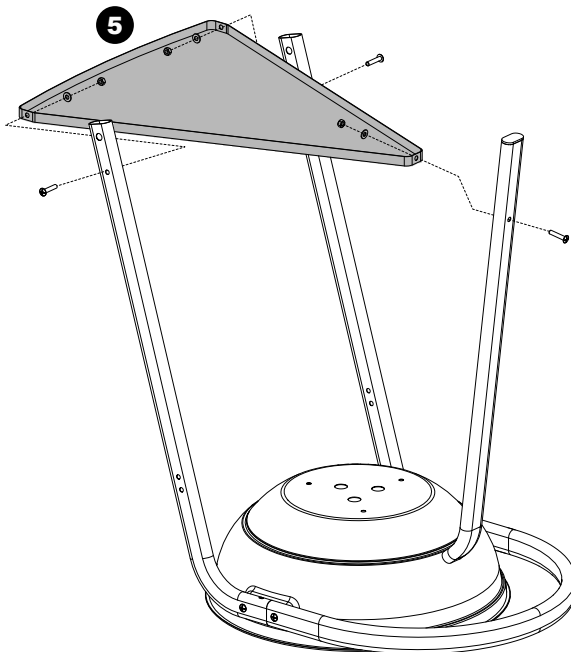
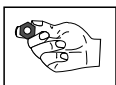
**2**

3

$\varnothing 6 \times 12$ $\varnothing 6$
 x 2 x 2

**4**

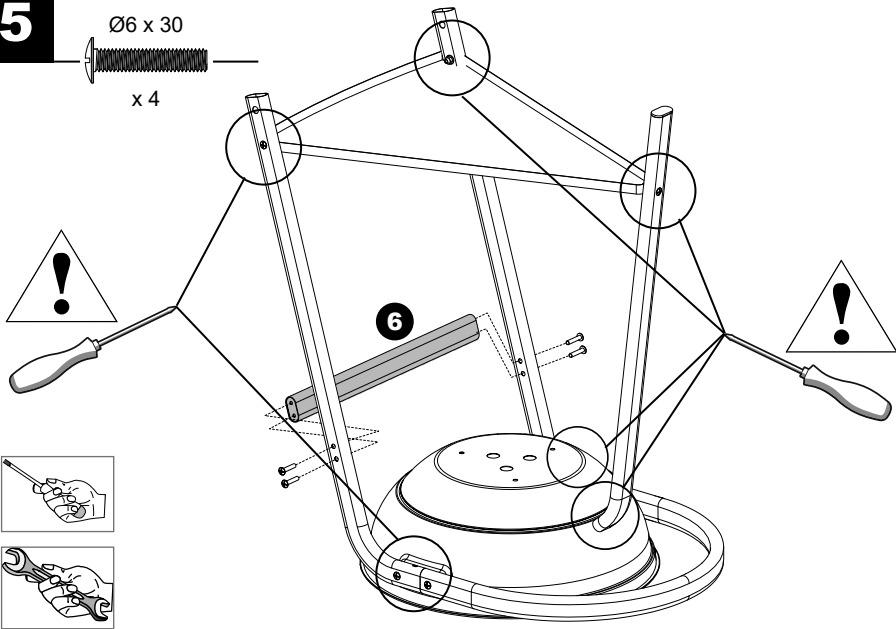
$\varnothing 6 \times 30$ $\varnothing 6$ $\varnothing 6$
 x 3 x 3 x 3



5

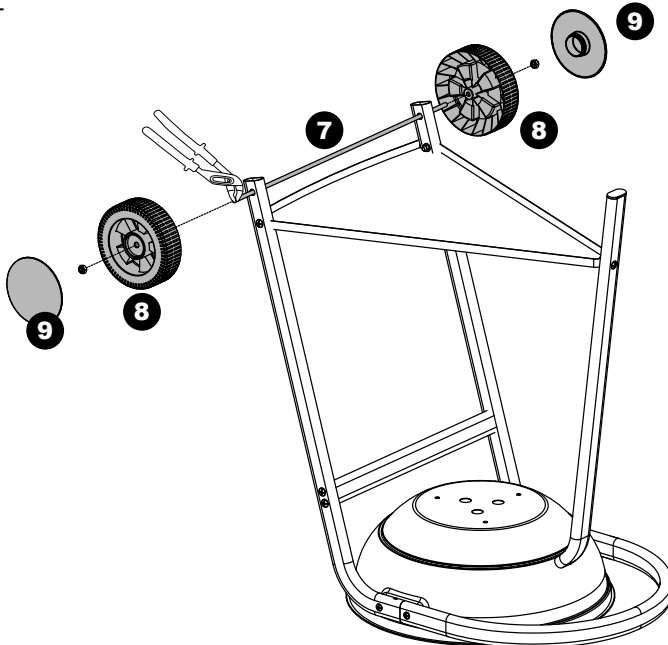
Ø6 x 30

x 4

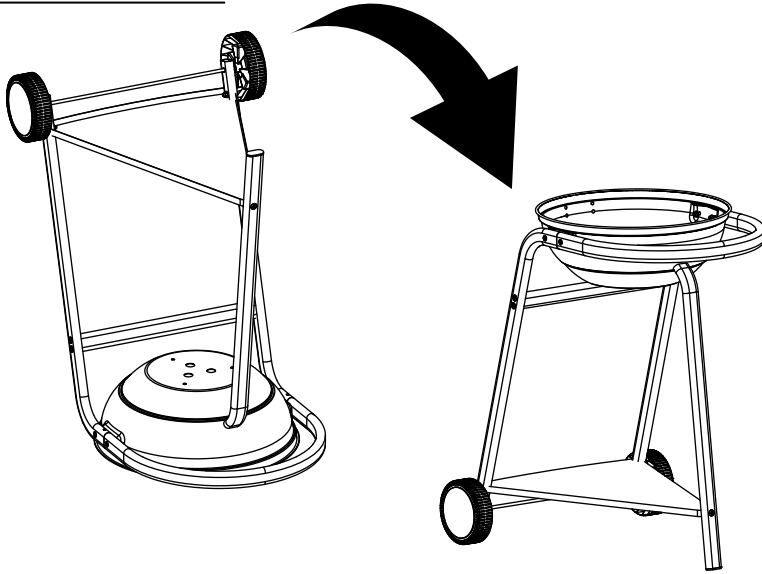
**6**

Ø8 nylstop

x 2

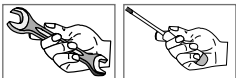
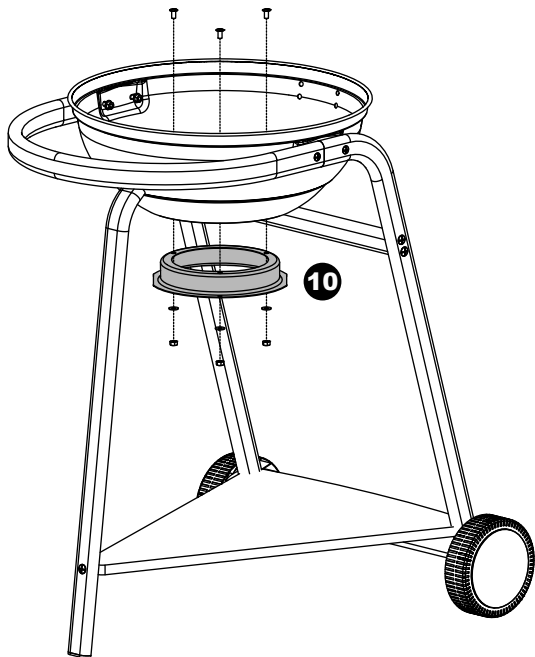
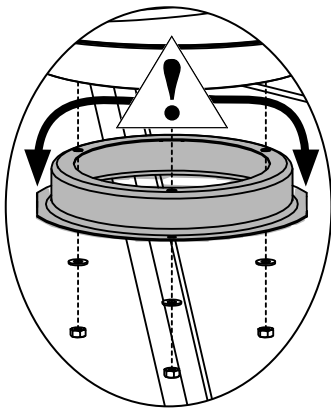


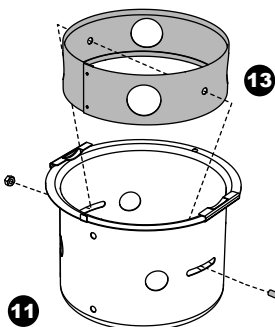
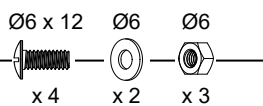
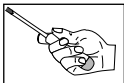
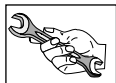
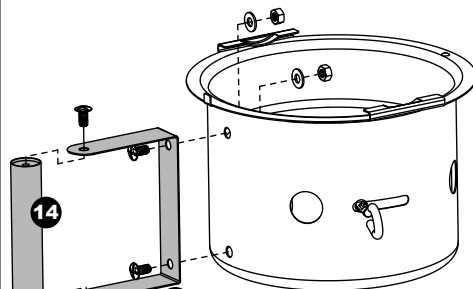
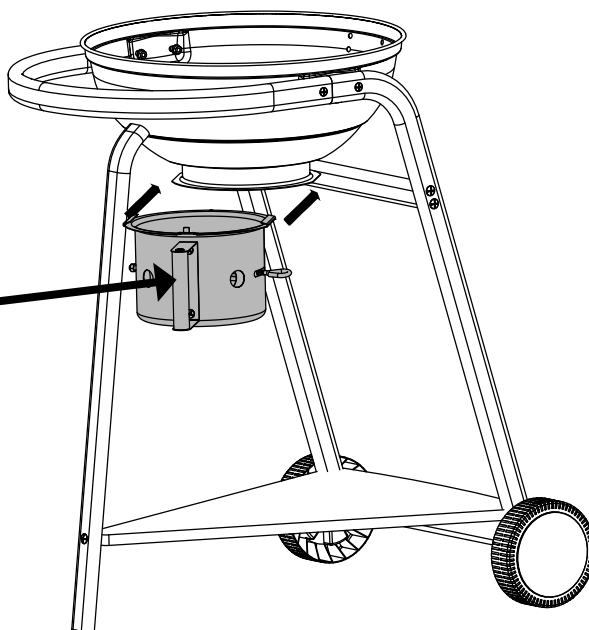
7

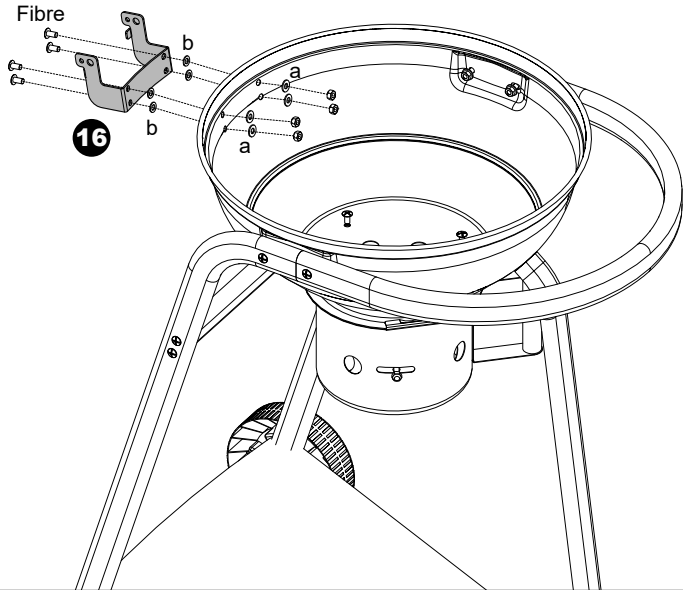
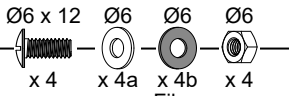
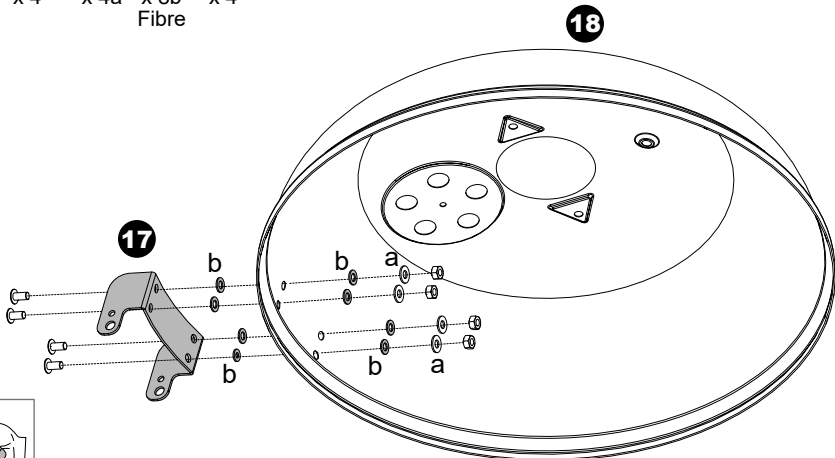
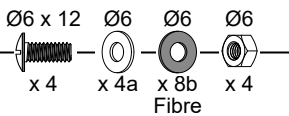


8

Ø6 x 12 Ø6 Ø6
x 3 x 3 x 3



9**A** | **B****10**

11**12**

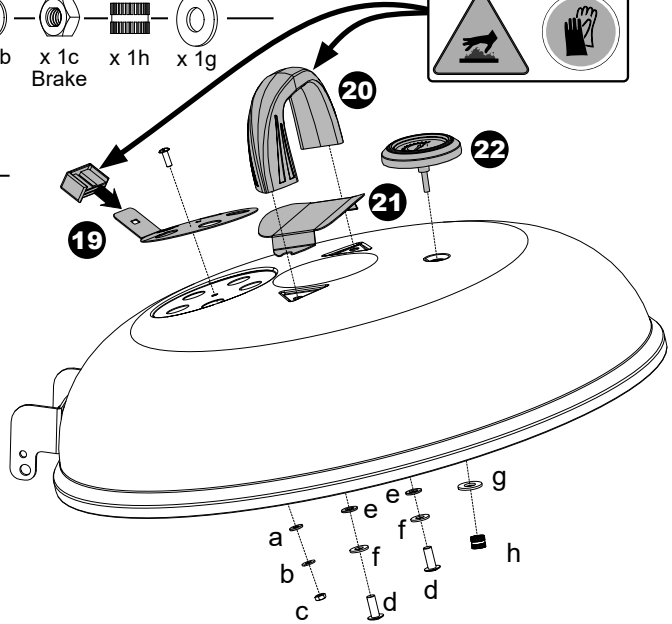
13

Ø4x12 x 1
Ø 4 x 1a
Ø 4 x 1b
Ø 4 x 1c
Ø 8 x 1h
Ø 8 x 1g

Ø6 x 16 x 2d
Ø 6 x 2e
Ø 6 x 2f

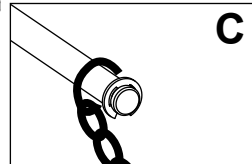
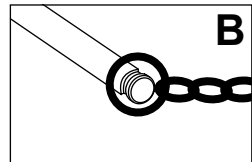
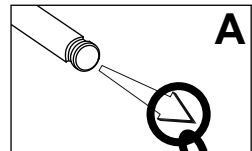
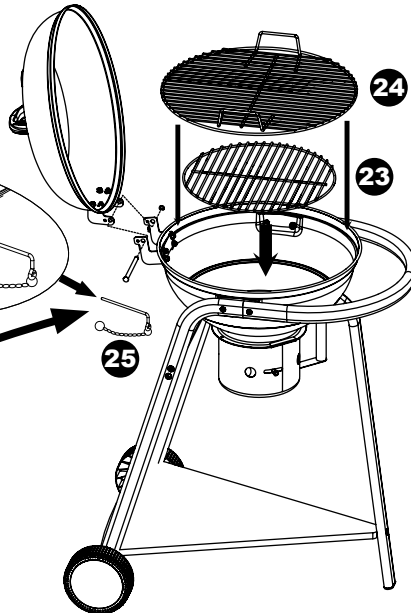
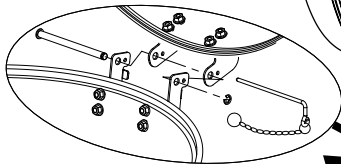
Fibre

Brake



14

Ø8 x 1



15

