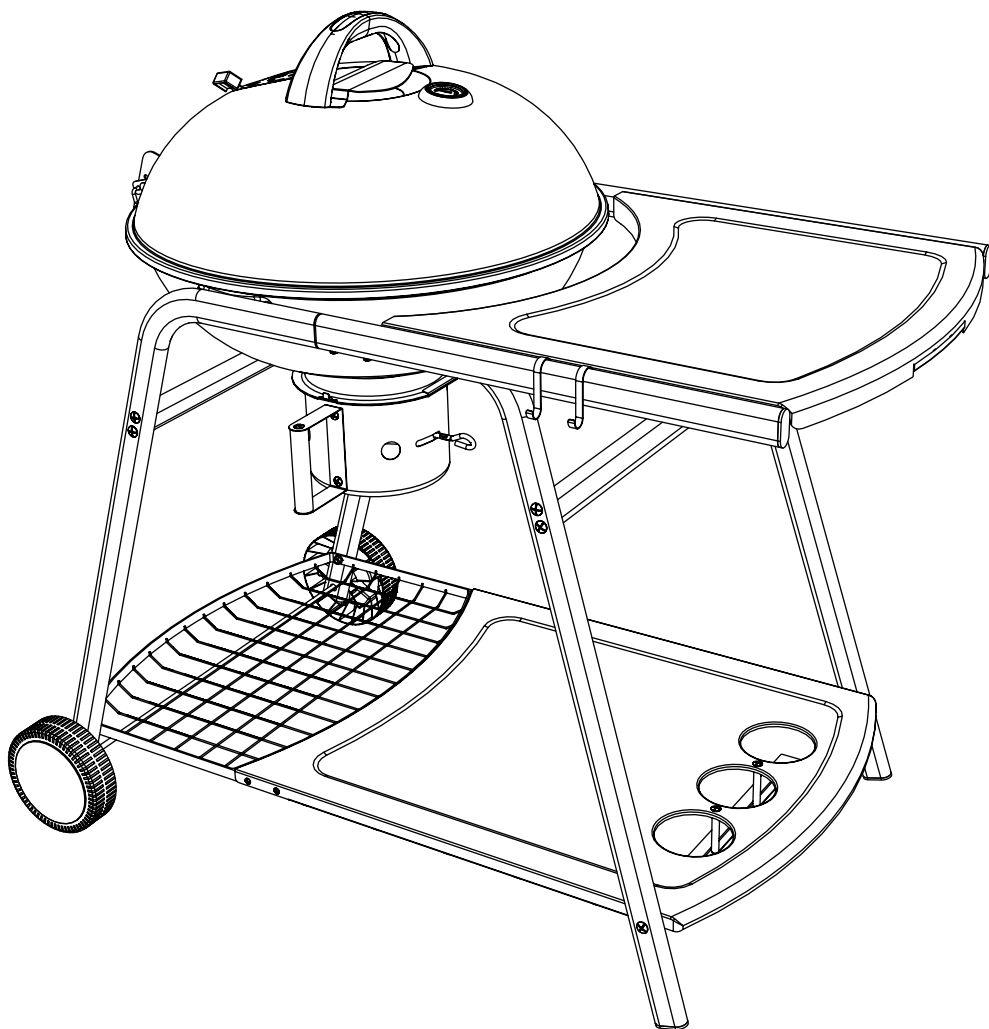


TOM 332570i (NF)





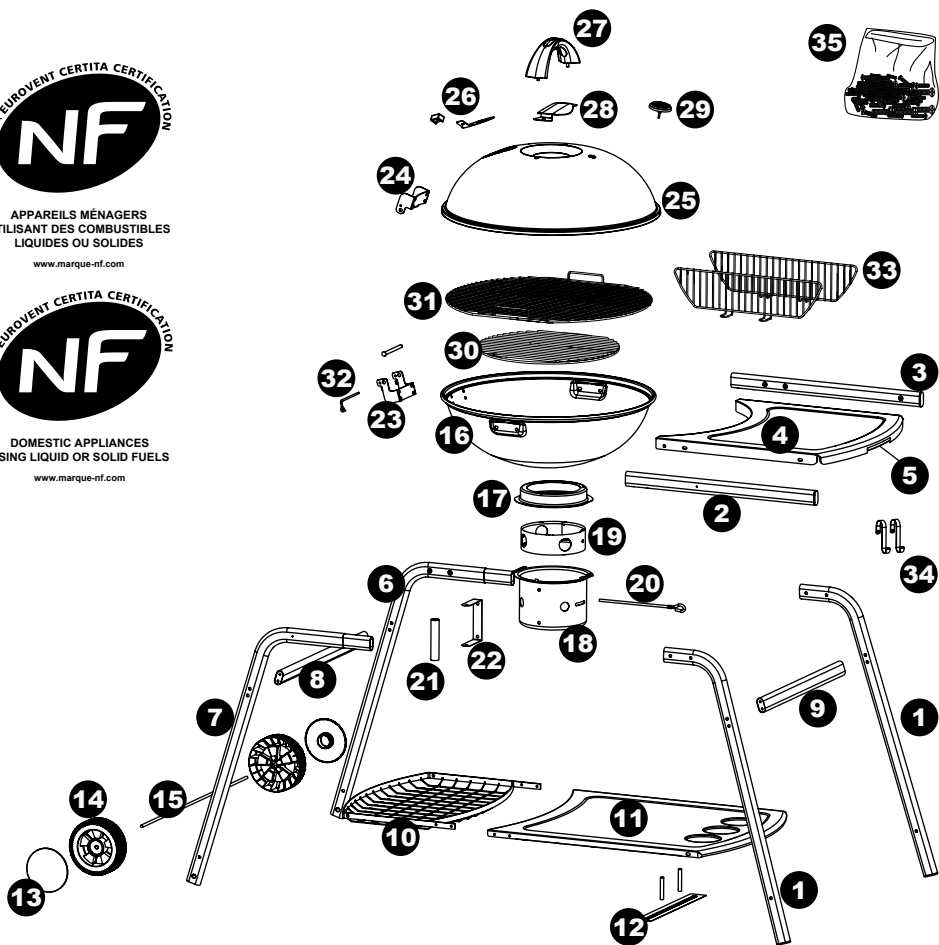
APPAREILS MÉNAGERS
UTILISANT DES COMBUSTIBLES
LIQUIDES OU SOLIDES

www.marque-nf.com



DOMESTIC APPLIANCES
USING LIQUID OR SOLID FUELS

www.marque-nf.com








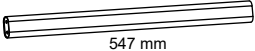
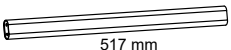
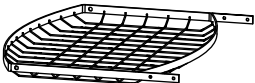












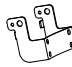





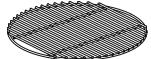

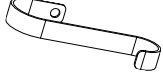

	Ø6x65	2
	Ø8x55	2

	Ø6x30	4
	Ø6x16	6
	Ø6x30	12
	Ø6x12	15
	Ø4x12	5

	Ø3,5x9,5	4
	Ø8	1
	Ø6	34
	Ø4	5

	Fiber	Ø6	14
	Fiber	Ø4	1
		Ø8	2
		Ø6	22
		Ø4	4
	Brake nut	Ø4	1
		Ø8	1
		Ø8	1

1		x 2
2		x 1
3		x 1
4		x 1
5		x 1
6		x 1
7		x 1
8		x 1
9		x 1
10		x 1
11		x 1
12		x 1
13		x 2
14		x 2
15		x 1
16		x 1
17		x 1

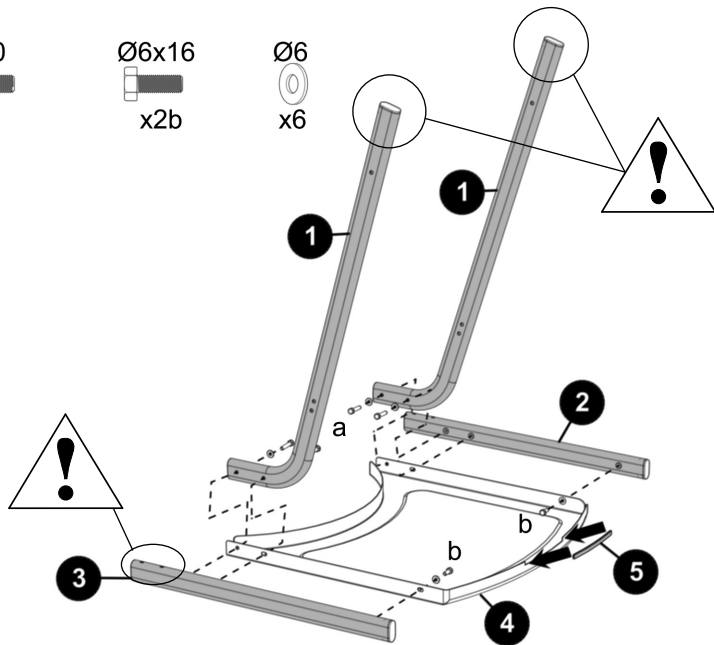
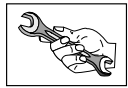
18		x 1
19		x 1
20		x 1
21		x 1
22		x 1
23		x 1
24		x 1
25		x 1
26		x 1
27		x 1
28		x 1
29		x 1
30		x 1
31		x 1
32		x 1
33		x 2
34		x 2
35		x 1

1

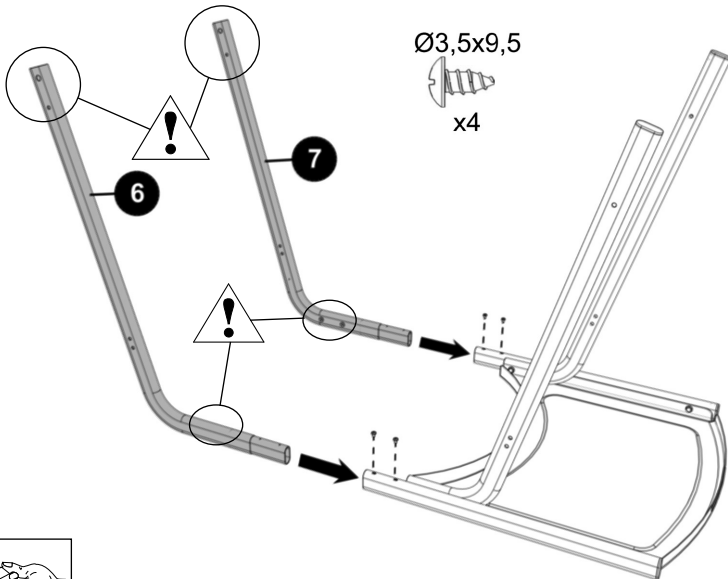
Ø6x30
x4a

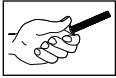
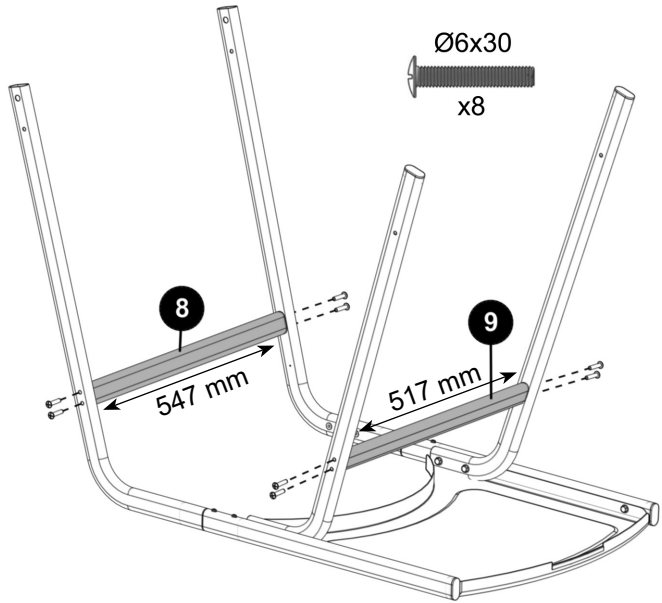
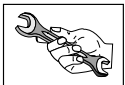
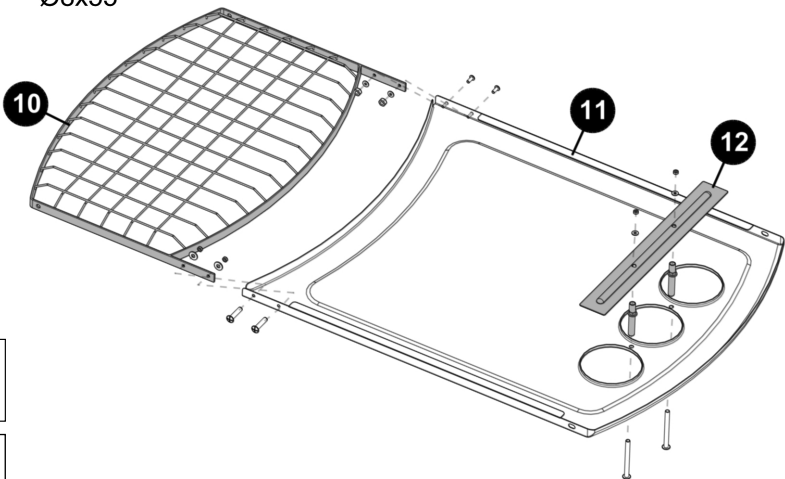
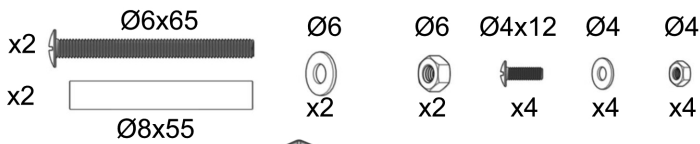
Ø6x16
x2b

Ø6
x6

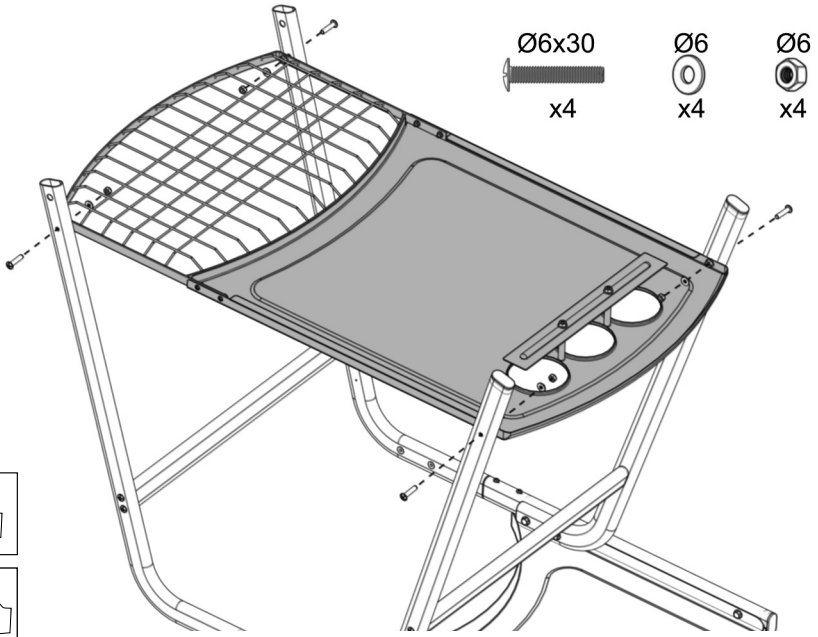
**2**

Ø3,5x9,5
x4

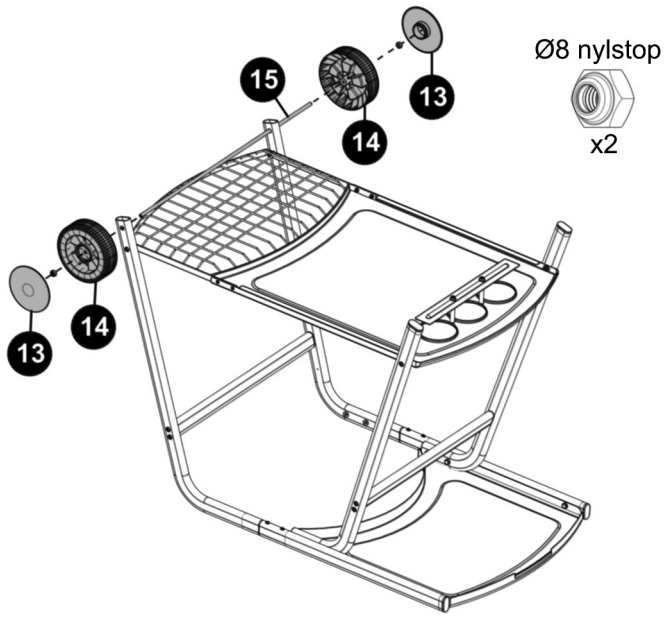


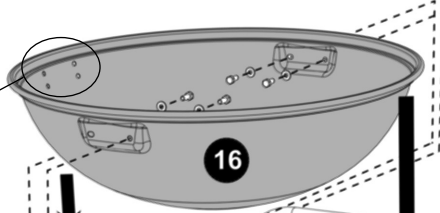
3**4**

5



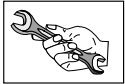
6



7

Ø6x16
x4

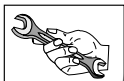
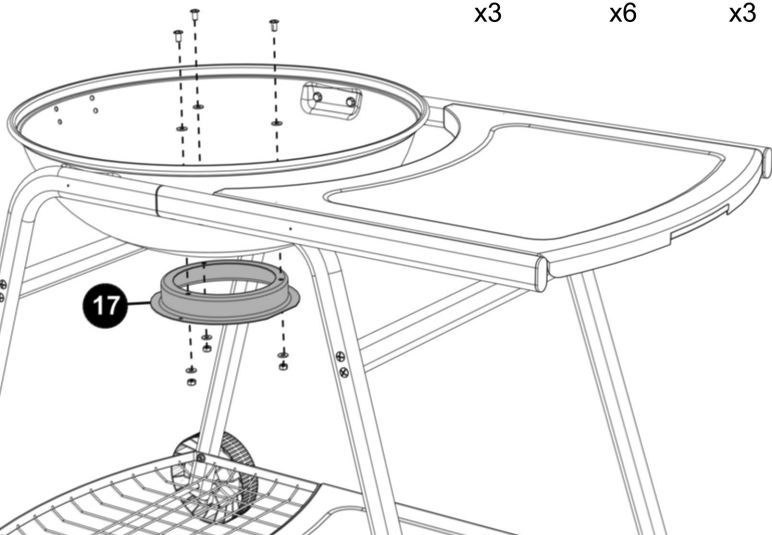
Ø6
x4

**8**

Ø6x12
x3

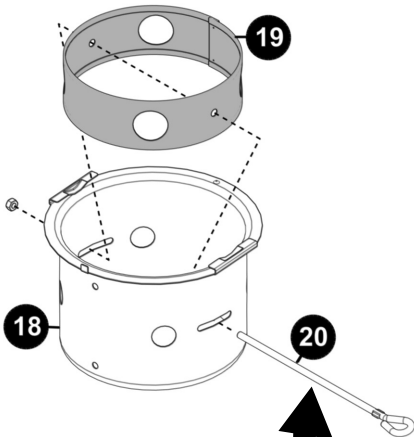
Ø6
x6

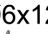


Ø6
x3

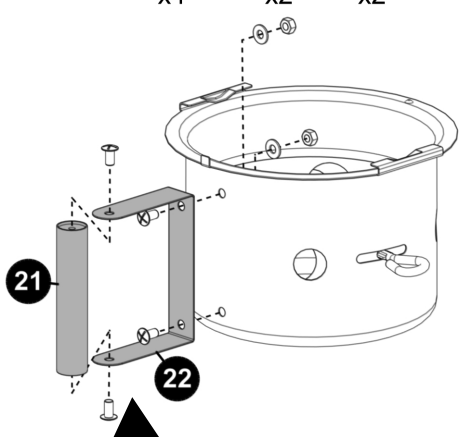
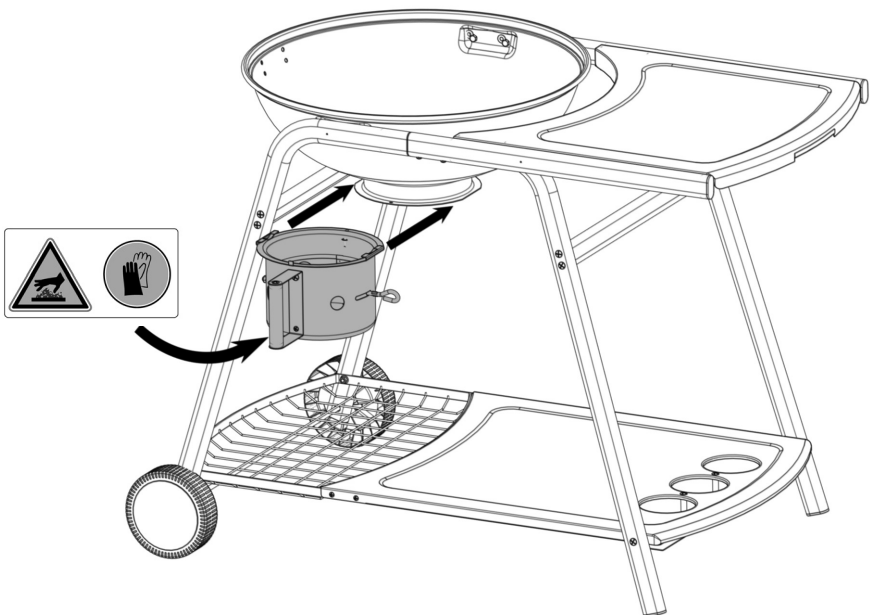


9

Ø6  x1



Ø6x12  x4 Ø6  x2 Ø6  x2

**10**

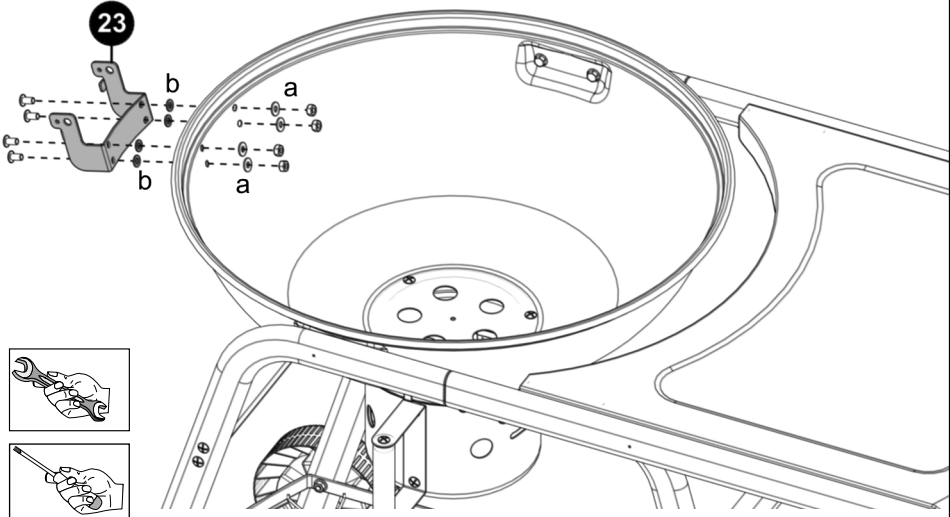
11

Ø6x12
x4

Ø6
x4a

Ø6
x4b

Ø6
x4



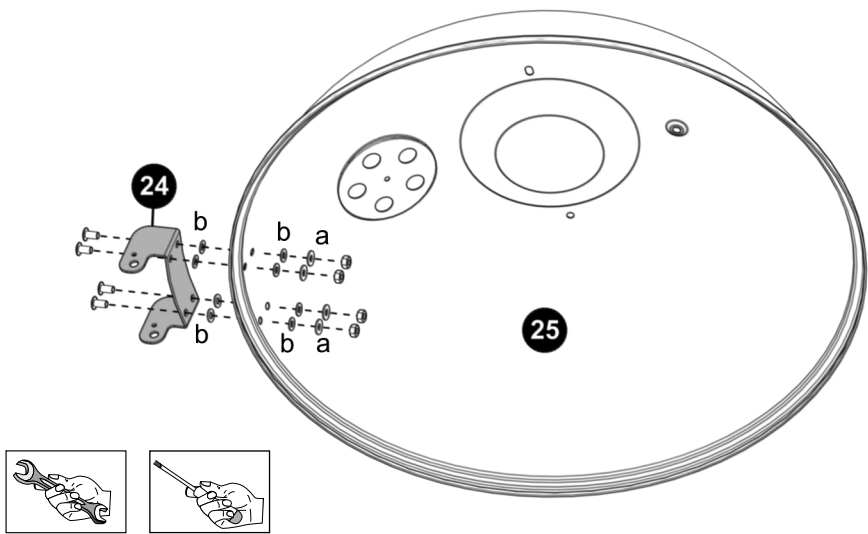
12

Ø6x12
x4

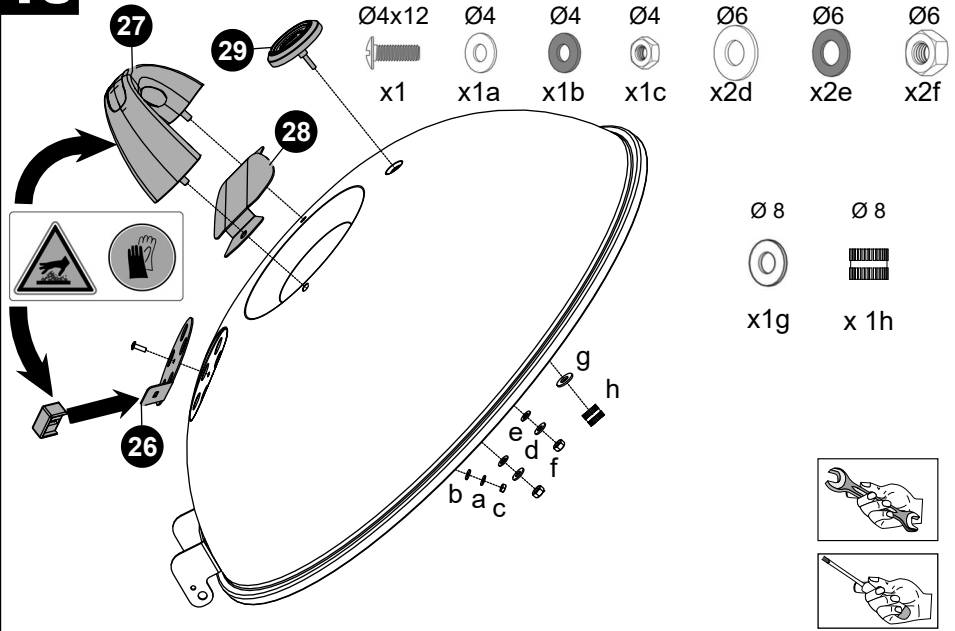
Ø6
x4a

Ø6
x8b

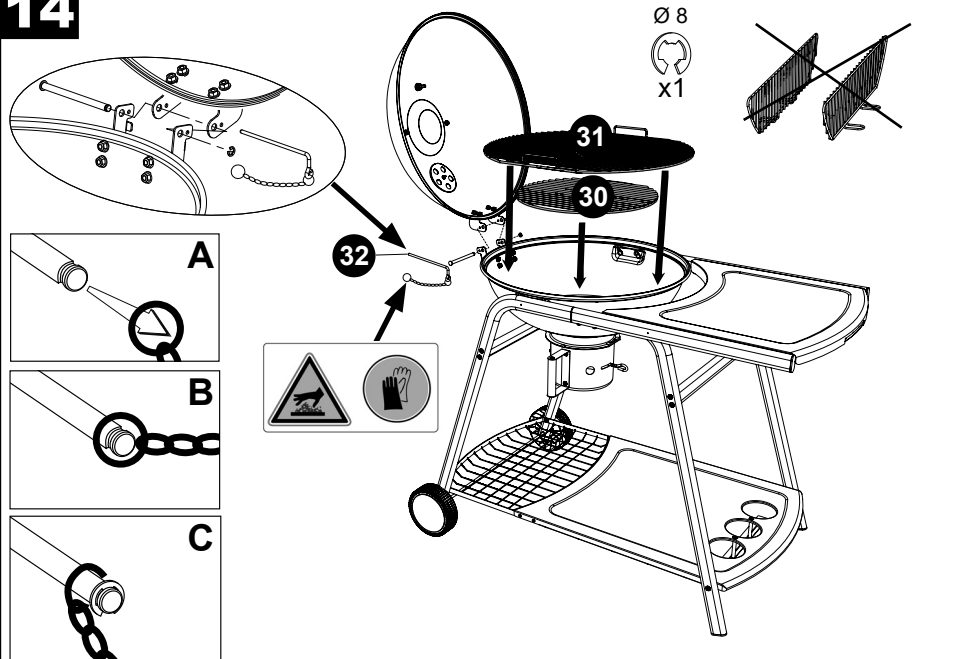
Ø6
x4



13



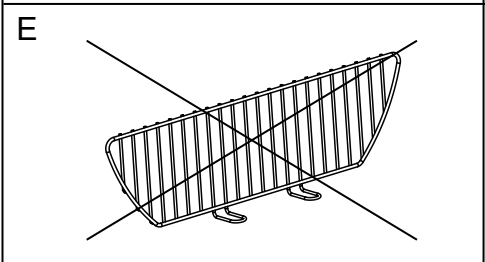
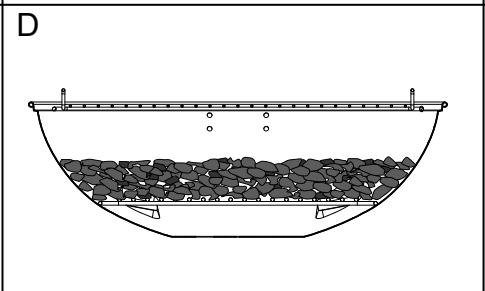
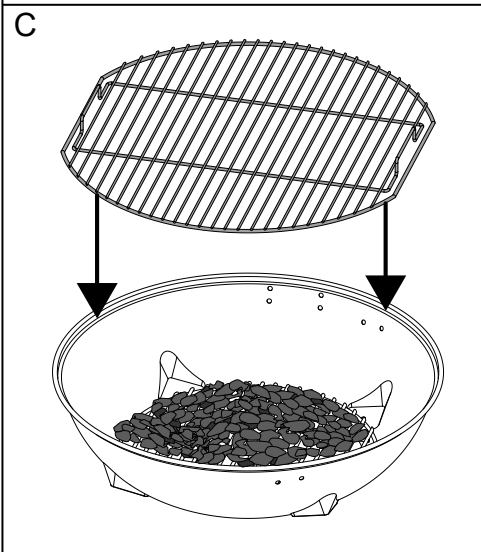
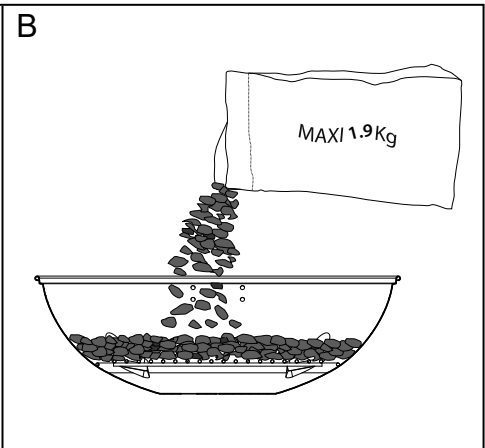
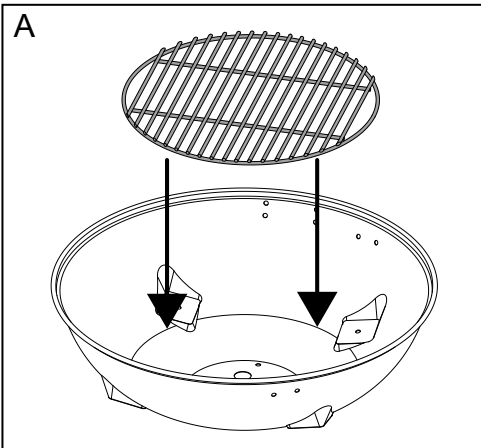
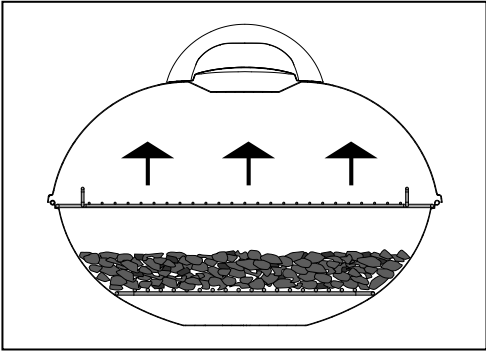
14



15



Cuisson directe



Cuisson indirecte

