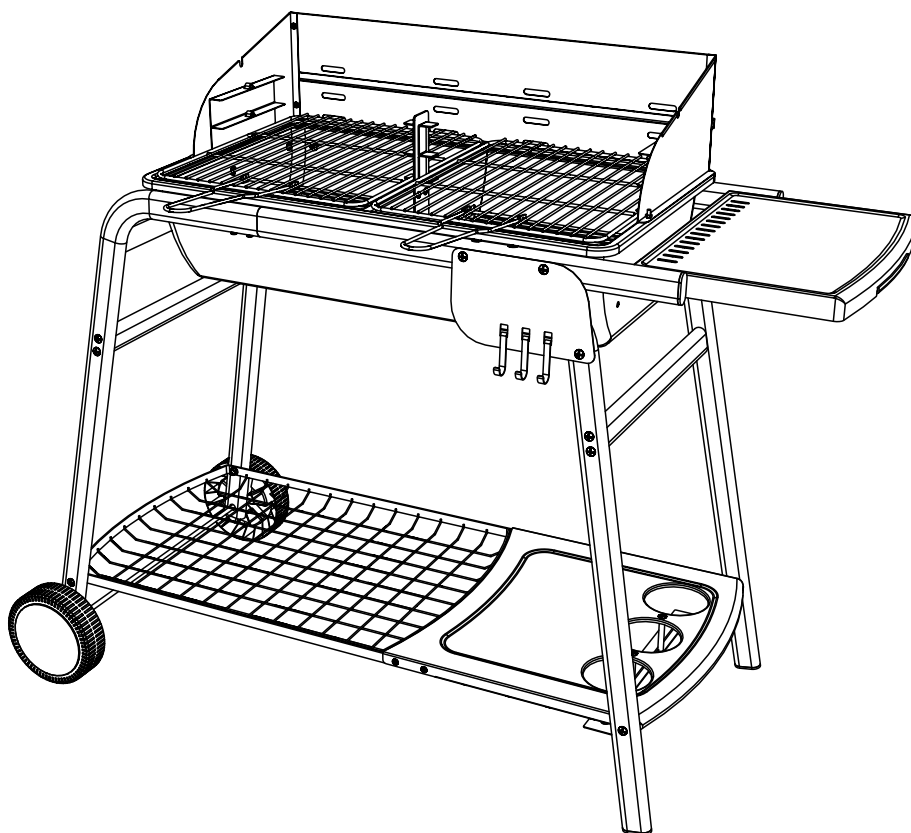
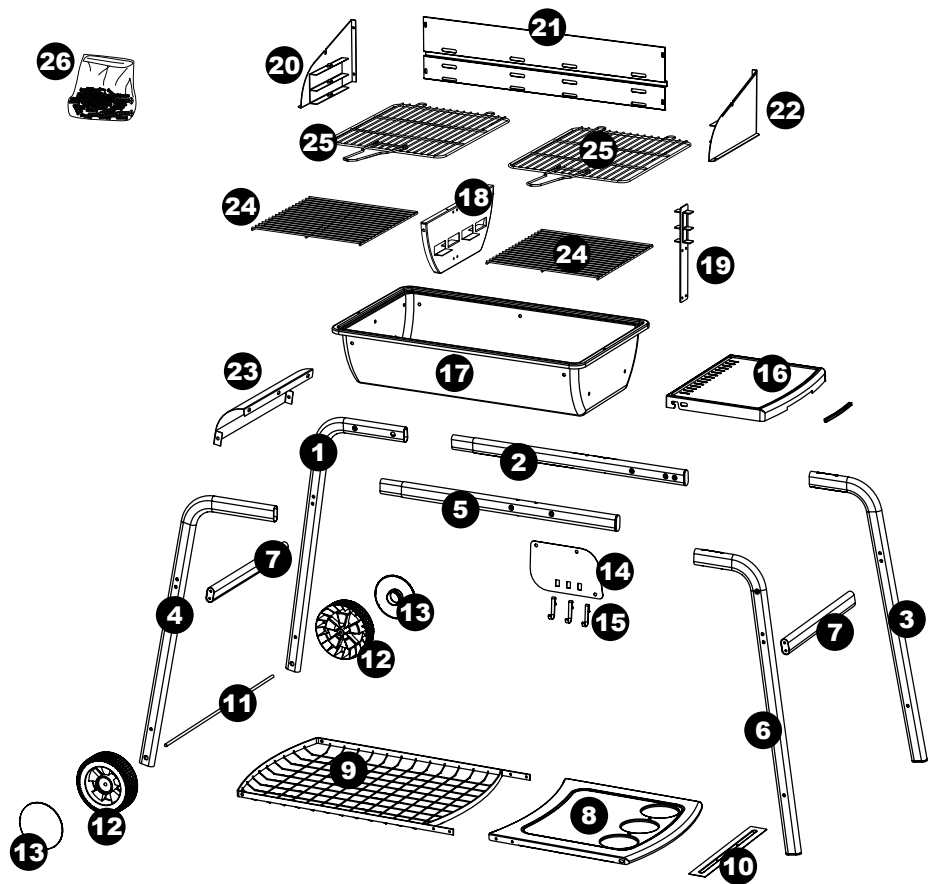















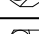

# TOM 337041i (EN)


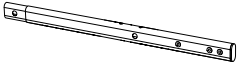


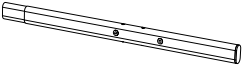


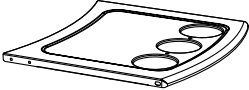
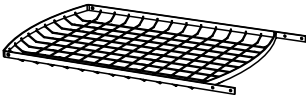



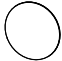


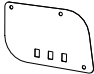

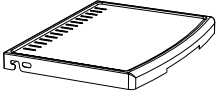
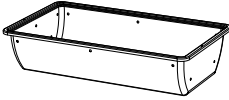
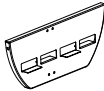


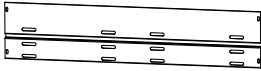

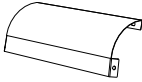
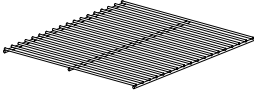


REF JJA : 167939



	8 x 55	2
	6 x 90	4
	6 x 65	2
	6 x 35	16
	6 x 12	16
	6 x 12	2
	6 x 16	2
	4 x 12	12


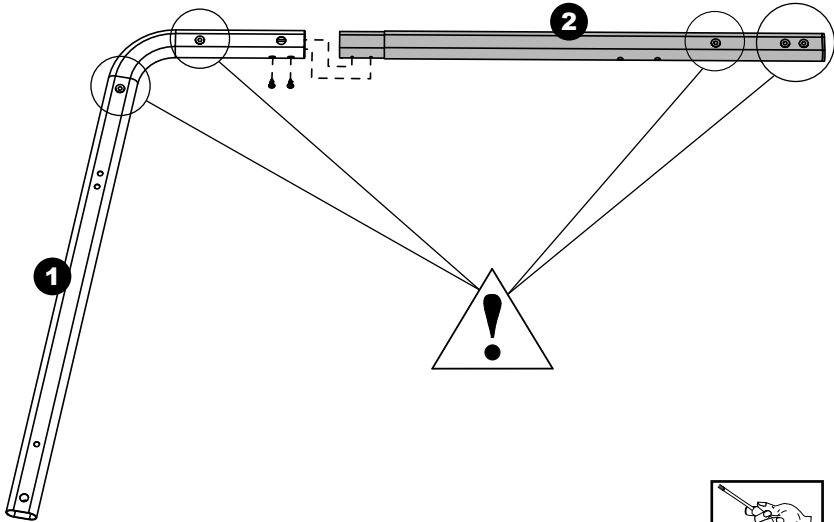
	4 x 8	4
	3,5 x 9,5	4
	Ø 6	30
	Ø 4	12
	Ø 8	2
	Ø 6	21
	Ø 4	16

<b>1</b>		x1
<b>2</b>		x1
<b>3</b>		x1
<b>4</b>		x1
<b>5</b>		x1
<b>6</b>		x1
<b>7</b>		x2
<b>8</b>		x1
<b>9</b>		x1
<b>10</b>		x1
<b>11</b>		x1
<b>12</b>		x2
<b>13</b>		x2

<b>14</b>		x1
<b>15</b>		x3
<b>16</b>		x1
<b>17</b>		x1
<b>18</b>		x1
<b>19</b>		x1
<b>20</b>		x1
<b>21</b>		x1
<b>22</b>		x1
<b>23</b>		x1
<b>24</b>		x2
<b>25</b>		x2
<b>26</b>		x1

**1**

Ø3,5x9,5

  
 x2
**2**

Ø6x90

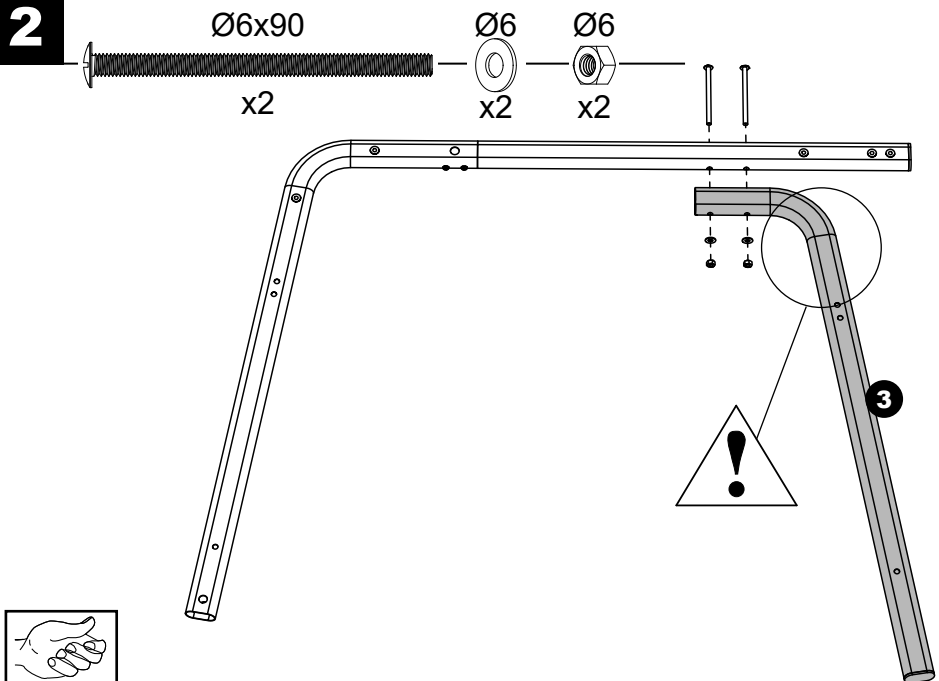
x2

Ø6

x2

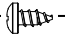
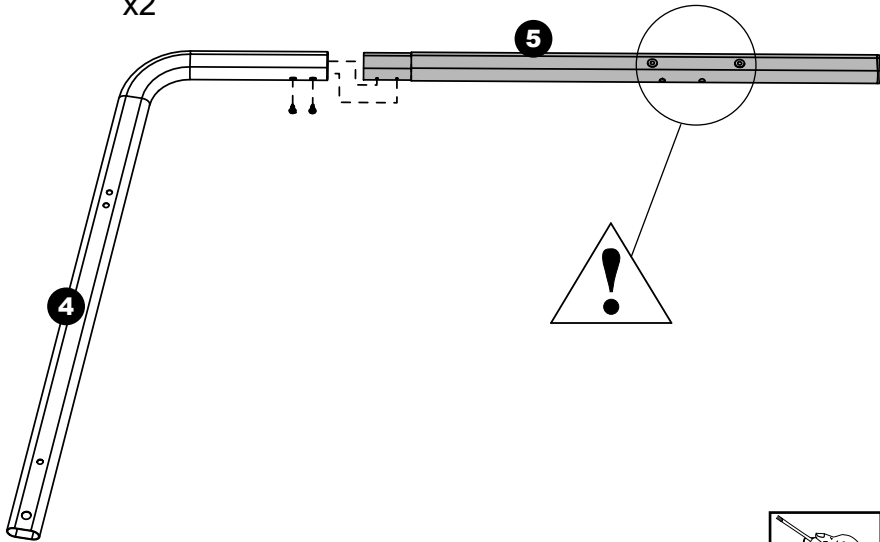
Ø6

x2



**3**

Ø3,5x9,5

  
 x2
**4**

Ø6x90

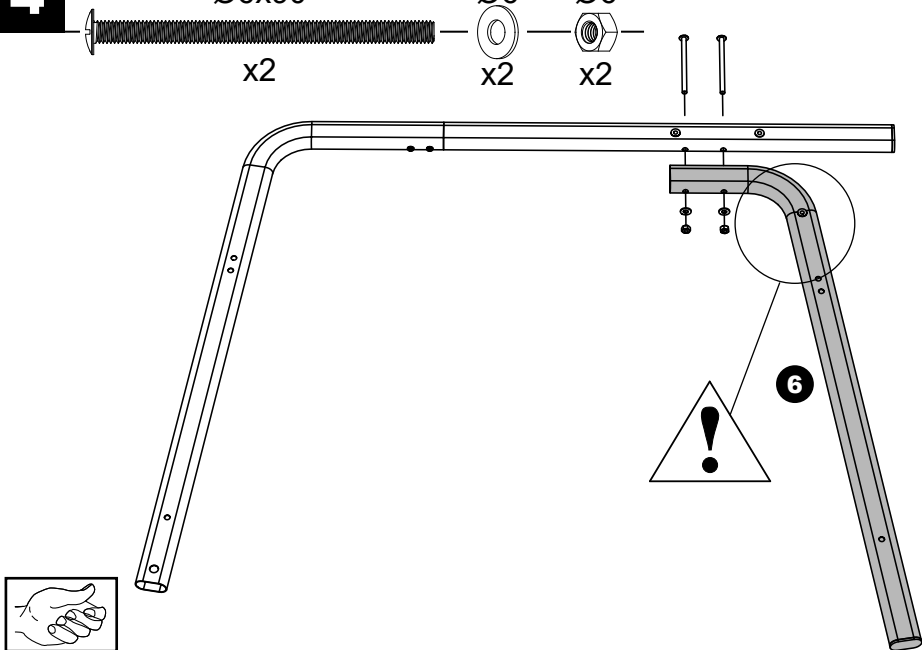
x2

Ø6

x2

Ø6

x2

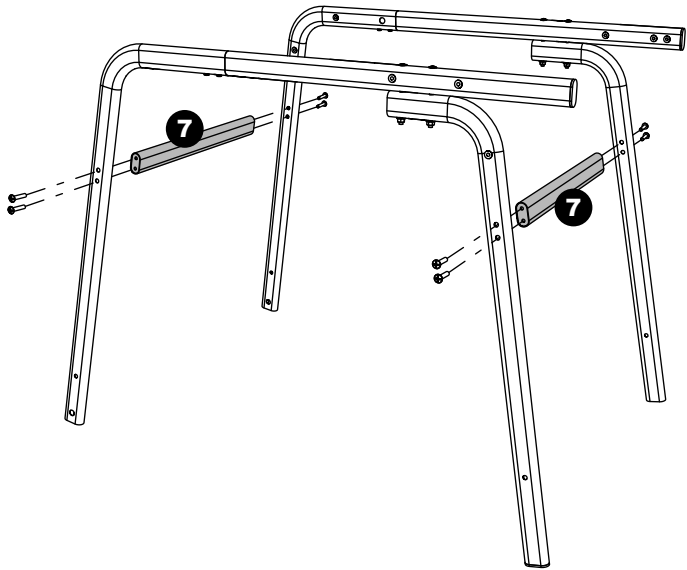


**5**

Ø6x35



x8



**6**

Ø4x12



x4

Ø4

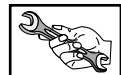
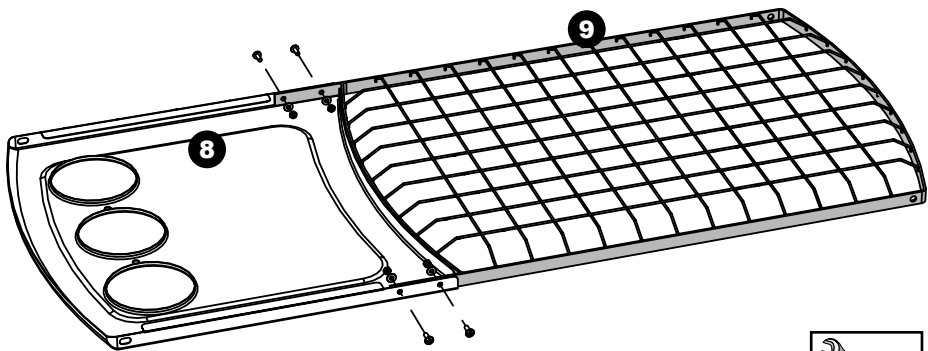


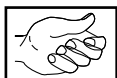
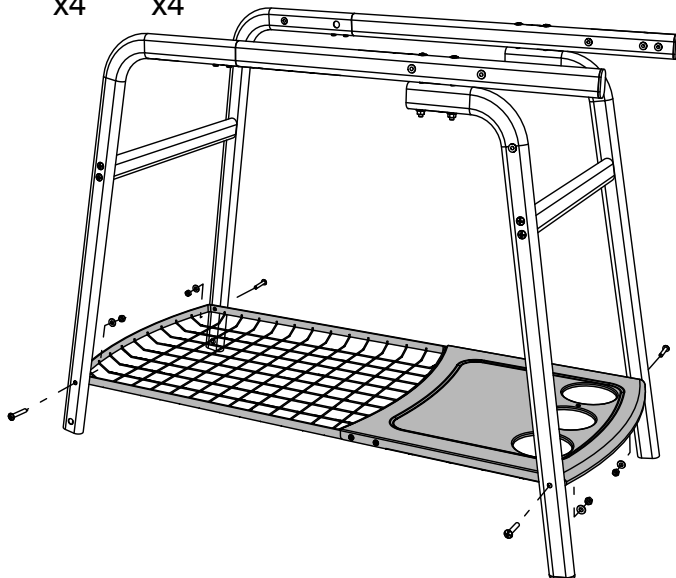
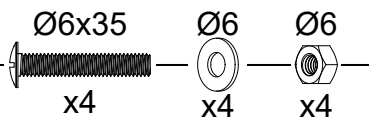
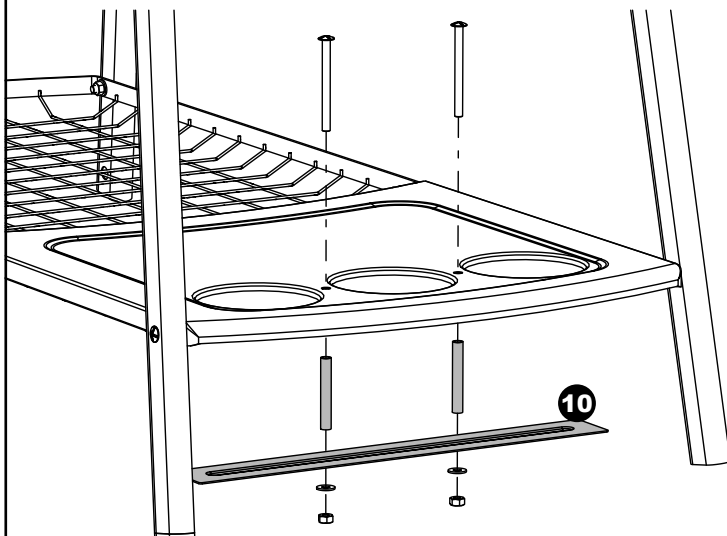
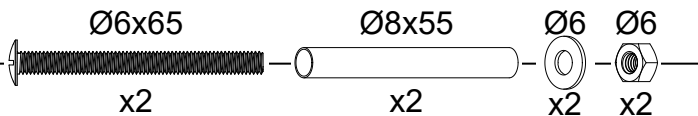
x4

Ø4



x4



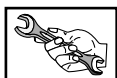
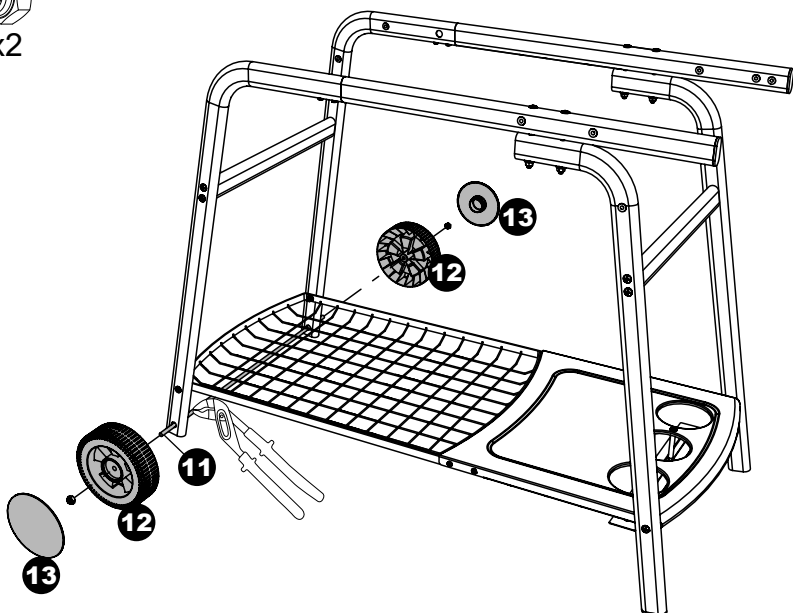
**7****8****10**

**9**

Ø8



x2

**10**

Ø6x12

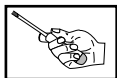
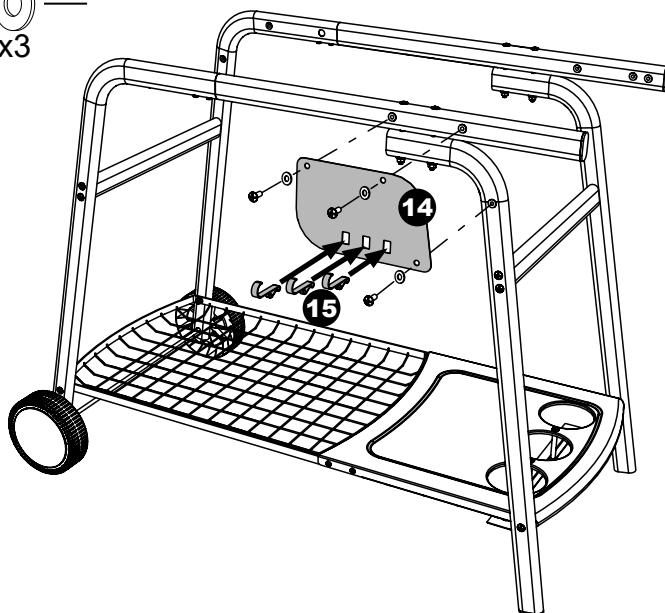


x3

Ø6



x3





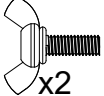
**11**

Ø6x12

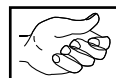
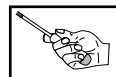
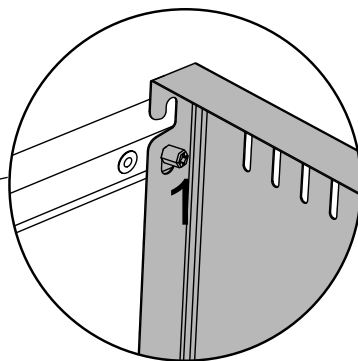
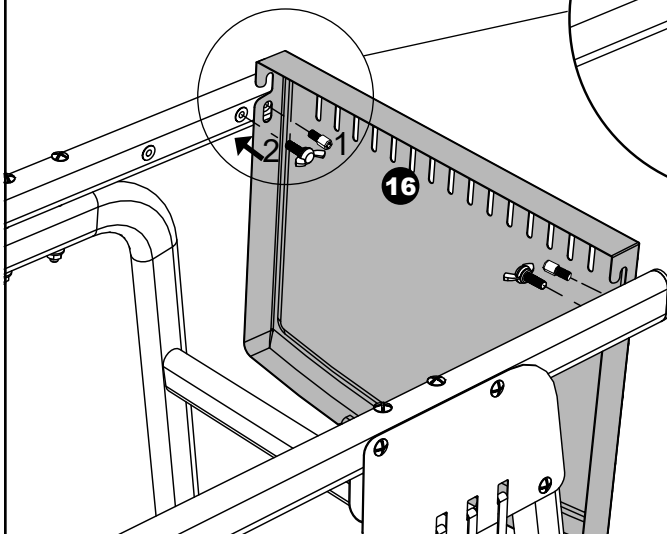
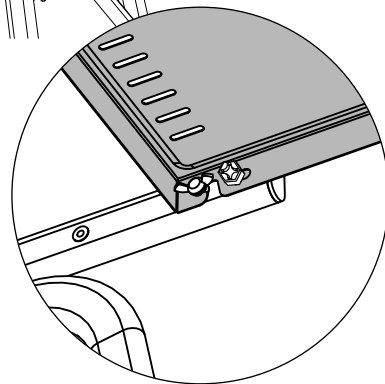
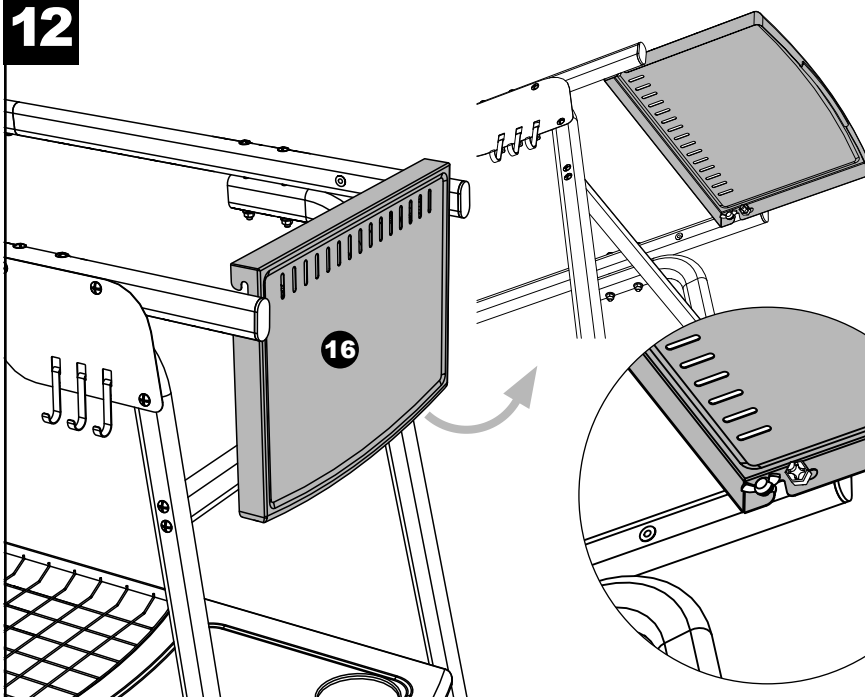


x2

Ø6x16

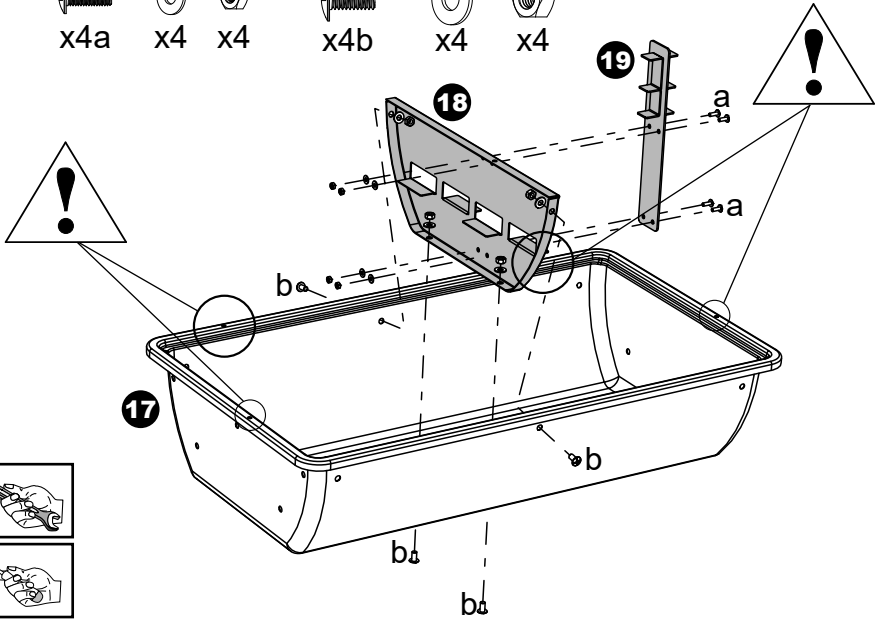


x2

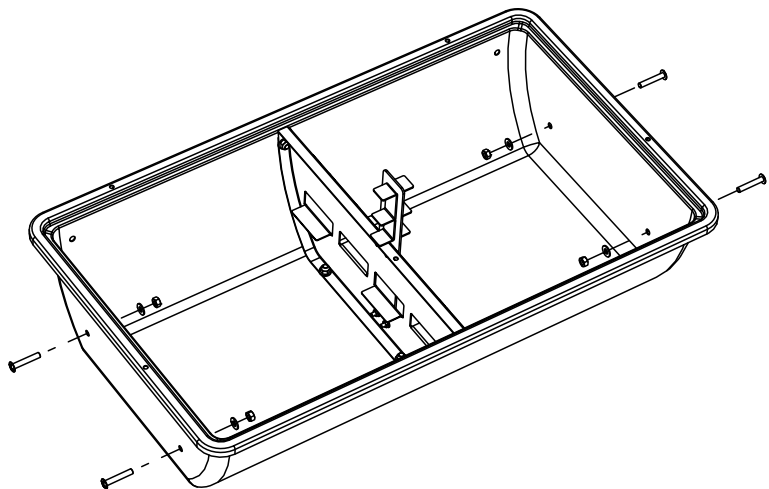
**12**

**13**

$\text{\O}4 \times 12$   $\text{\O}4$   $\text{\O}4$   $\text{\O}6 \times 12$   $\text{\O}6$   $\text{\O}6$   
 x4a x4 x4 x4b x4 x4

**14**

$\text{\O}6 \times 35$   $\text{\O}6$   $\text{\O}6$   
 x4 x4 x4

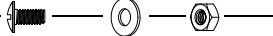


**15**

Ø4x8

Ø4

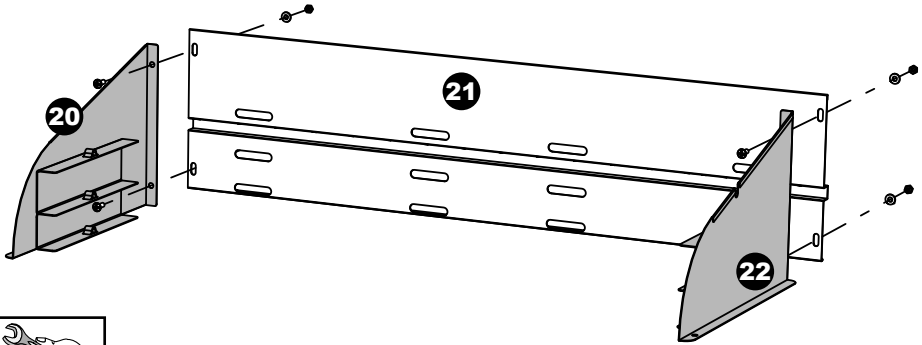
Ø4



x4

x4

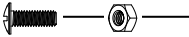
x4



**16**

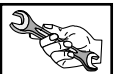
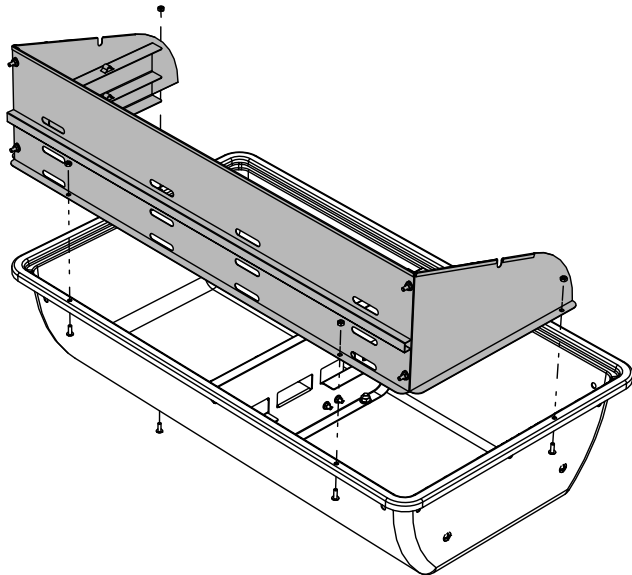
Ø4x12

Ø4



x4

x4



**17**

Ø6x12

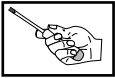
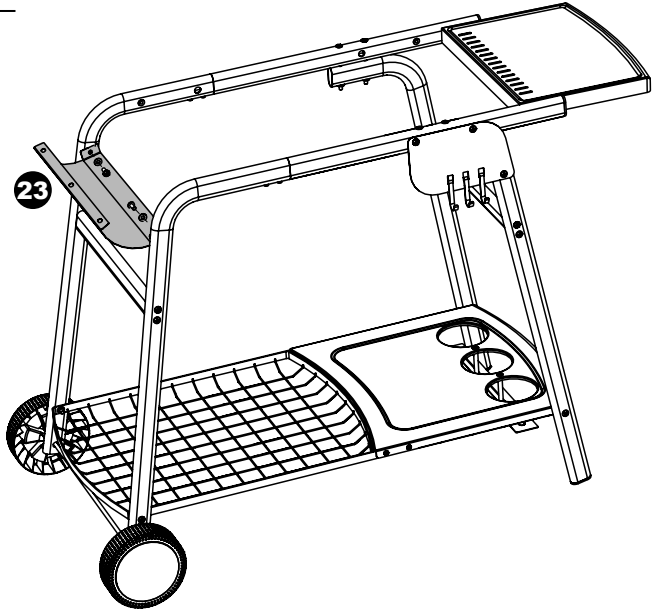
Ø6



x2



x2



**18**

Ø6x12

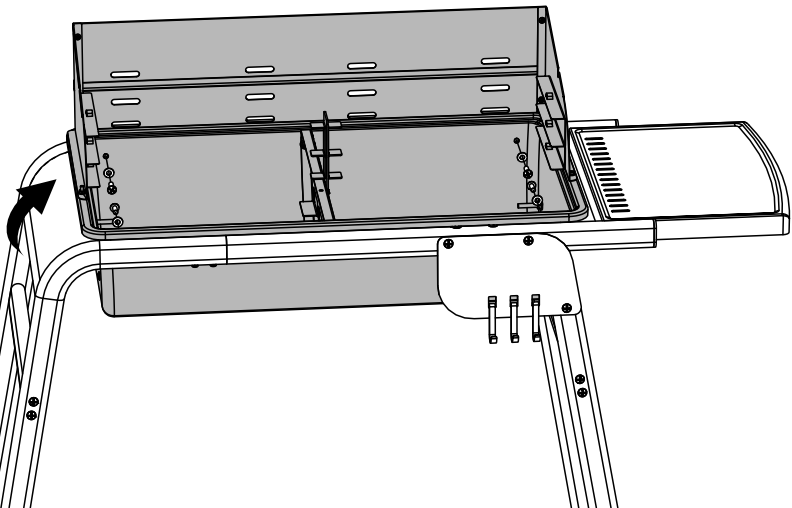
Ø6



x4



x4



**19**

Ø6x12



x3

Ø6

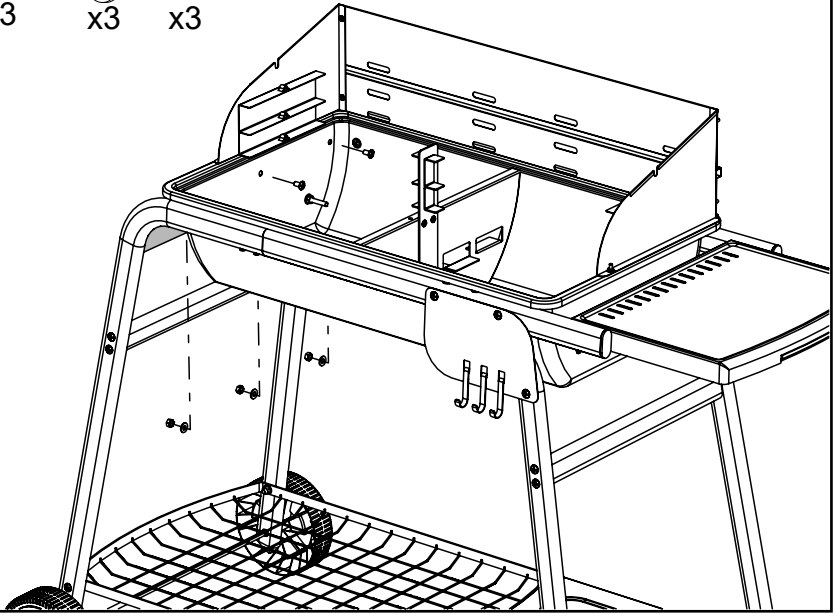


x3

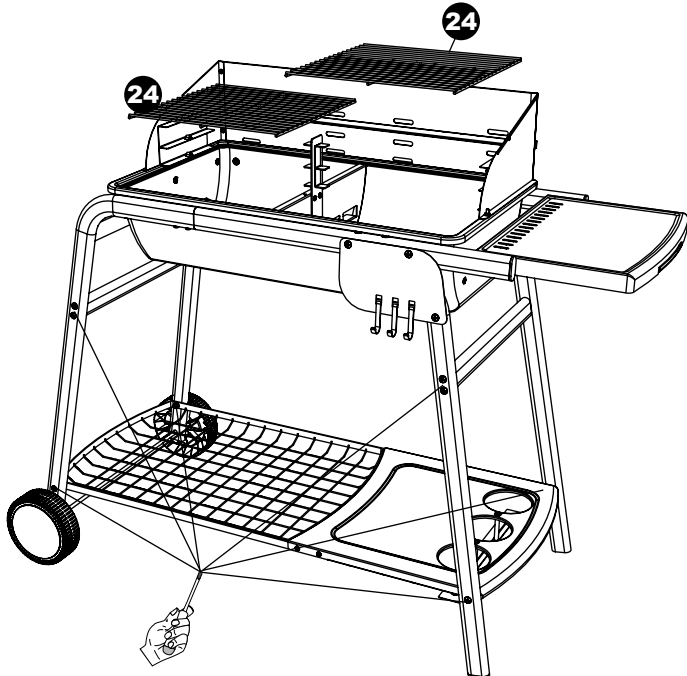
Ø6



x3



**20**



21

