

## IMPORTANT SAFETY RULES

Please read, understand, and follow all instructions carefully before installing and using this product. Keep for future reference.

# PRISM FRAME™ OVAL PREMIUM POOL

157-1/2" x 78-3/4" x 48" (400 cm x 200 cm x 122 cm)

157-1/2" x 78-3/4" x 39-3/8" (400 cm x 200 cm x 100 cm)



For illustrative purposes only. Accessories may not be provided with pool.

Don't forget to try these other fine Intex products: Pools, Pool Accessories, Inflatable Pools and In-Home Toys, Airbeds and Boats available at fine retailers or visit our website listed below. Due to a policy of continuous product improvement, Intex reserves the right to change specifications and appearance, which may result in updates to the instruction manual without notice.

**INTEX**® ©2020 Intex Marketing Ltd. - Intex Development Co. Ltd. - Intex Recreation Corp. All rights reserved/Tous droits réservés/Todos los derechos reservados/Alle Rechte vorbehalten.  
Printed in China/Imprimé en Chine/Impreso en China/Gedruckt in China.  
®™ Trademarks used in some countries of the world under license from®™ Marques utilisées dans certains pays sous licence de/  
Marcas registradas utilizadas en algunos países del mundo bajo licencia de/Warenzeichen verwendet in einigen Ländern der Welt in  
Lizenz von/Intex Marketing Ltd. to/à/a/an Intex Development Co. Ltd., G.P.O Box 28829, Hong Kong & Intex Recreation Corp., P.O.  
Box 1440, Long Beach, CA 90801 • Distributed in the European Union by/Distribué dans l'Union Européenne par/Distribuido en la unión  
Europea por/Vertrieb in der Europäischen Union durch/Intex Trading B.V., Venneveld 9, 4705 RR Roosendaal – The Netherlands  
[www.intexcorp.com](http://www.intexcorp.com)

# TABLE OF CONTENTS

Warnings / Important safety rules.....	3-4
Parts References.....	5
Setup Instructions.....	6-10
General Aquatic Safety.....	10
Pool Maintenance & Chemicals.....	11
Troubleshooting.....	11
Pool maintenance & drainage.....	12
Winter preparations.....	13
Limited Warranty.....	14

**Special Introductory note:**

*Thanks for buying an Intex pool. Please read this manual before setting up your pool. This information will help extend the pool life and make the pool safer for your family's enjoyment. A team of 2-4 people is recommended for pool set up. Additional people will speed up the installation.*

*No tools are required for the assembly.*

# IMPORTANT SAFETY RULES

Read, Understand and Follow All Instructions Carefully Before Installing and Using this Product.

## WARNING

- **Continuous and competent adult supervision of children and the disabled is required at all times.**
- Secure all doors, windows and safety barriers to prevent unauthorized, unintentional or unsupervised pool entry.
- Install a safety barrier that will eliminate access to the pool for young children and pets.
- Pool and pool accessories are to be assembled and disassembled by adults only.
- Never dive, jump or slide into an above-ground pool or any shallow body of water.
- Failure to set up pool on flat, level, compact ground or over filling could result in the pool's collapse and the possibility that a person lounging in the pool could be swept out/ejected.
- Do not lean, straddle, or exert pressure on the inflatable ring or top rim as injury or flooding could occur. Do not allow anyone to sit on, climb, or straddle the sides of the pool.
- Remove all toys and flotation devices from, in, and around the pool when it is not in use. Objects in the pool attract young children.
- Keep toys, chairs, tables, or any objects that a child could climb on at least four feet (1.22 meters) away from the pool.
- Keep rescue equipment by the pool and clearly post emergency numbers at the phone closest to the pool. Examples of rescue equipment: coast guard approved ring buoy with attached rope, strong rigid pole not less than twelve feet (12') [3.66m] long.
- Never swim alone or allow others to swim alone.
- Keep your pool clean and clear. The pool floor must be visible at all times from the outside barrier of the pool.
- If swimming at night use properly installed artificial lighting to illuminate all safety signs, ladders, pool floor and walkways.
- Stay away from the pool when using alcohol or drugs/medication.
- Keep children away from pool covers to avoid entanglement, drowning, or other serious injury.
- Pool covers must be completely removed before pool use. Children and adults cannot be seen under a pool cover.
- Do not cover the pool while you or anyone else is in the pool.
- Keep the pool and pool area clean and clear to avoid slips and falls and objects that may cause injury.
- Protect all pool occupants from recreational water illnesses by keeping the pool water sanitized. Don't swallow the pool water. Practice good hygiene.
- All pools are subject to wear and deterioration. Certain types of excessive or accelerated deterioration can lead to an operation failure, and can ultimately cause the loss of large quantities of water from your pool. Therefore, it is very important that you properly maintain your pool on a regular basis.
- This pool is for outdoor use only.
- Empty pool completely when not in use for a longer period and safely store the empty pool in such a way that it does not collect water from rain or any other source, and to prevent from being blown away by strong wind. See storage instructions.
- While the swimming pool is in use, you will need to operate the filter pump to ensure that there is at least one complete turnover of water a day. Consult your pump's manual to calculate the necessary operating hours.

**POOL BARRIERS AND COVERS ARE NOT SUBSTITUTES FOR CONTINUOUS AND COMPETENT ADULT SUPERVISION. POOL DOES NOT COME WITH A LIFEGUARD. ADULTS ARE THEREFORE REQUIRED TO ACT AS LIFEGUARDS OR WATER WATCHERS AND PROTECT THE LIVES OF ALL POOL USERS, ESPECIALLY CHILDREN, IN AND AROUND THE POOL.**

**FAILURE TO FOLLOW THESE WARNINGS MAY RESULT IN PROPERTY DAMAGE, SERIOUS INJURY OR DEATH.**

**Advisory:**

Pool owners may need to comply with local or state laws relating to childproof fencing, safety barriers, lighting, and other safety requirements. Customers should contact their local building code enforcement office for further details.

## IMPORTANT SAFETY RULES

Please read, understand, and follow all instructions carefully before installing and using this product. These warnings, instructions, and safety guidelines address some common risks of water recreation, but they cannot cover all risks and dangers in all cases. Always use caution, common sense, and good judgment when enjoying any water activity. Keep for future reference. Packaging must be read carefully and kept for future reference. See product for additional warnings.

### General

- Check pins, bolts and/or screws for rust; splinters or any sharp edges regularly, especially accessible surfaces, to avoid injuries.

### Non swimmers safety

- Continuous, active, and vigilant supervision of weak swimmers and non-swimmers by a competent adult is required at all times (remembering that children under five are at the highest risk of drowning).
- Designate a competent adult to supervise the pool each time it is being used.
- Weak swimmers or non-swimmers should wear personal protection equipment when using the pool.
- When the pool is not in use, or unsupervised, remove all toys from the swimming pool and its surrounding to avoid attracting children to the pool.

### Safety devices

- It is recommended to install a barrier (and secure all doors and windows, where applicable) to prevent unauthorized access to the swimming pool.
- Barriers, pool covers, pool alarms, or similar safety devices are helpful aids, but they are not substitutes for continuous and competent adult supervision.

### Safety equipment

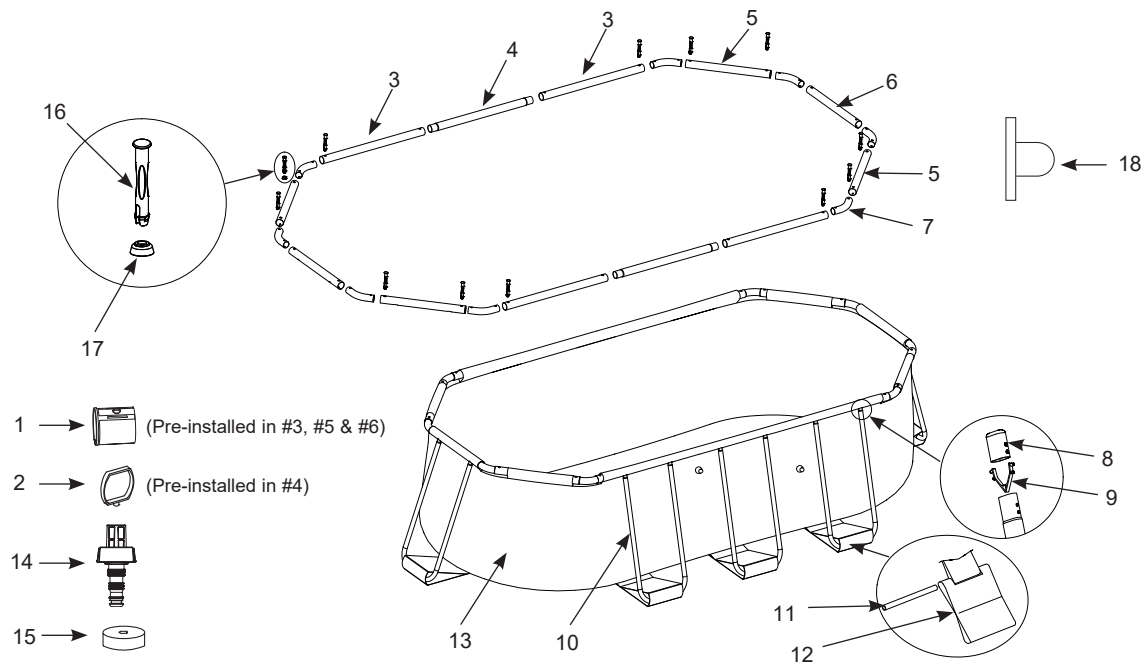
- It is recommended to keep rescue equipment (e.g. a ring buoy) by the pool.
- Keep a working phone and a list of emergency phone numbers near the pool.

### Safe use of the pool

- Encourage all users especially children to learn how to swim.
- Learn Basic Life Support (Cardiopulmonary Resuscitation - CPR) and refresh this knowledge regularly. This can make a life-saving difference in the event of an emergency.
- Instruct all pool users, including children, what to do in case of an emergency.
- Never dive into any shallow body of water. This can lead to serious injury or death.
- Do not use the swimming pool when using alcohol or medication that may impair your ability to safely use the pool.
- When pool covers are used, remove them completely from the water surface before entering the pool.
- Protect pool occupants from water related illnesses by keeping the pool water treated and practicing good hygiene. Consult the water treatment guidelines in the user's manual.
- Store chemicals (e.g. water treatment, cleaning or disinfection products) out of the reach of children.
- Removable ladders shall be placed on a horizontal surface.
- Observe and follow the warnings and safety signs on the pool wall.

## PARTS REFERENCE

Before assembling your product, please take a few minutes to check the contents and become familiar with all the parts.



**NOTE:** Drawings for illustration purpose only. Actual product may vary. Not to scale.

REF. NO.	DESCRIPTION	157-1/2" x 78-3/4" x 48" (400 cm x 200 cm x 122 cm)		157-1/2" x 78-3/4" x 39-3/8" (400 cm x 200 cm x 100 cm)	
		QUANTITIES	SPARE PART NO.	QUANTITIES	SPARE PART NO.
1	PLASTIC INSERT FOR HORIZONTAL CORNER PIPE	16	12795	16	12795
2	SINGLE BUTTON SPRING	4	10381	4	10381
3	HORIZONTAL BEAM (A) (PLASTIC INSERT INCLUDED)	4	12747G	4	12747
4	HORIZONTAL BEAM (B) (SINGLE BUTTON SPRING INCLUDED)	2	12748G	2	12748
5	HORIZONTAL BEAM (C) (PLASTIC INSERT INCLUDED)	4	13008G	4	13008
6	HORIZONTAL BEAM (D) (PLASTIC INSERT INCLUDED)	2	12793G	2	12793
7	CORNER JOINT	8	12794G	8	12794
8	U-SUPPORT END CAP	16	10379	16	10379
9	DOUBLE BUTTON SPRING CLIP	16	10382	16	10382
10	U-SHAPED SIDE SUPPORT (U-SUPPORT END CAP & DOUBLE BUTTON SPRING CLIP INCLUDED)	8	12570G	8	12167
11	CONNECTING ROD	8	10383	8	10383
12	RESTRAINER STRAP	8	12217W	8	12217A
13	POOL LINER (DRAIN VALVE CAP INCLUDED)	1	13004W	1	12796
14	DRAIN CONNECTOR	1	10201	1	10201
15	DRAIN VALVE CAP	2	11044	2	11044
16	PIN (WITH 2 EXTRA)	14	12136	14	12136
17	SEAL (WITH 2 EXTRA)	14	10648	14	10648
18	STRAINER HOLE PLUG (WITH 1 EXTRA)	3	10127	3	10127

## POOL SETUP

### IMPORTANT SITE SELECTION AND GROUND PREPARATION INFORMATION

#### WARNING

- The pool location must allow you to secure all doors, windows, and safety barriers to prevent unauthorized, unintentional or unsupervised pool entry.
- Install a safety barrier that will eliminate access to the pool for young children and pets.
- Failure to set up the pool on flat, level, compact ground and to assemble and fill with water in accordance with the following instructions could result in the pool's collapse or the possibility that a person lounging in the pool could be swept out/ejected, resulting in serious injury or property damage.
- Risk of electric shock: connect the filter pump only to a grounding type receptacle protected by a ground-fault circuit interrupter (GFCI) or residual current device (RCD). To reduce the risk of an electrical shock, do not use extension cords, timers, plug adapters or converter plugs to connect the pump to an electrical supply. Always provide a properly located outlet. Locate the cord where it cannot be damaged by lawn mowers, hedge trimmers, and other equipment. See the filter pump manual for additional warnings and instructions.
- Risk of serious injury: do not attempt to assemble pool in high wind conditions.

#### Select an outdoor location for the pool with the following requirements in mind:

1. The area where the pool is to be set up must be **absolutely flat and level**. Do not set up the pool on a slope or inclined surface.
2. The ground surface must be compacted and firm enough to withstand the pressure and weight of a fully set up pool. **Do Not** set up the pool on mud, sand, soft or loose soil conditions.
3. **Do not** set up the pool on a deck, balcony or platform, which may collapse under the weight of the filled pool.
4. The pool requires at least 5 - 6 feet (1.5 - 2.0 m) of space all around pool from objects that a child could climb on to gain access to the pool.
5. Grass under the pool will be damaged. Splash out chlorinated pool water could damage the surrounding vegetation.
6. If the ground is not concrete (i.e., if it is asphalt, lawn or earth) you must place a piece of pressure-treated wood, size 15" x 15" x 1.2" (38 x 38 x 3cm), under each U-shaped support and set **flush** or even with the ground. Alternatively you may use steel pads or reinforced concrete slabs. Consult your local pool supply retailer for advice on support pads.  
**NOTE:** Do not use support pads or slabs with slippery, smooth surfaces as the U-shaped side support will slide outward causing damage to the pool and void the warranty.
7. Eliminate all aggressive grasses first. Certain types of grass such as St. Augustine and Bermuda, may grow through the liner. Grass growing through the liner it is not a manufacture defect and is not covered under warranty.
8. The area shall facilitate drainage of the pool water after each use and/or for long term pool storage.

## POOL SETUP (continued)

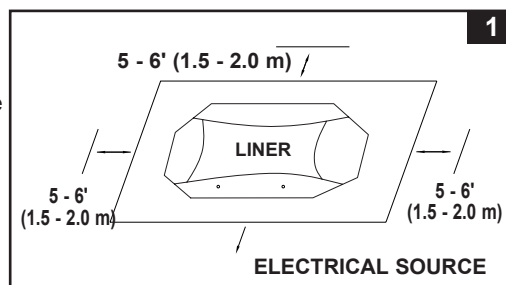
You may have purchased this pool with the Intex Krystal Clear™ filter pump. The pump has its own separate set of installation instructions. First assemble your pool unit and then set up the filter pump.

Estimated assembly time 60~90 minutes. (Note the assembly time is only approximate and individual assembly experience may vary.)

- Find a flat, level location that is free and clear of stones, branches or other sharp objects that may puncture the pool liner or cause injury.
  - Open the carton containing the liner, joints, legs, etc., very carefully as this carton can be used to store the pool during the winter months or when not in use.

- Spread a ground cloth (not included) over the cleared area. Remove the liner (13) from carton and spread it out over the ground cloth with the drain valve towards the draining area. Place the drain valve away from the house. Open it up to warm it in the sun. This warming will make installation easier. Make sure the liner is centered atop the ground cloth. Be sure to face the end with the 2 hose connectors towards the electrical power source.

**IMPORTANT: Do not drag the liner across the ground as this can cause liner damage and pool leakage (see drawing 1).**

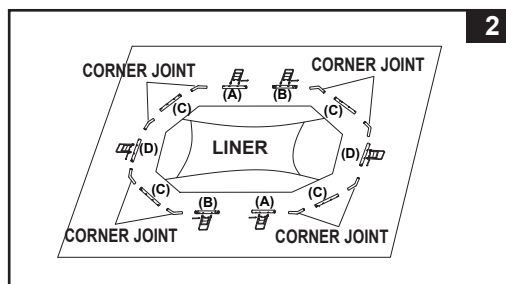


- During the set-up of this pool liner, point the hose connections or openings in the direction of the electric power source. The outer edge of the assembled pool is to be within reach of the electrical connection for the optional filter pump.

- Remove all the parts from the carton(s) and place them on the ground in the location where they are to be assembled. Check the parts listing and be sure all the pieces to be assembled are accounted for (see drawing 2).

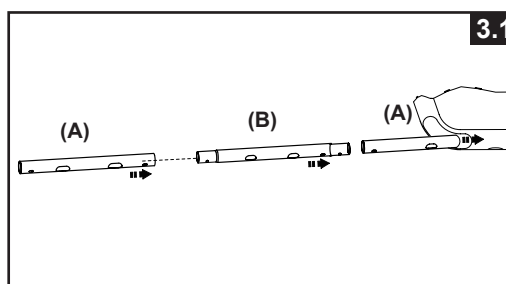
**IMPORTANT: Do not start assembly if any pieces are missing. For replacement pieces call the Consumer Service telephone number in your area.** After all pieces are accounted for move the pieces away from the liner for of installation.

**NOTE: Sprinkle some talcum powder over the horizontal beams before sliding them into the pool liner sleeve. This will make removal of the beams from the liner easier during the disassembly of the pool.**



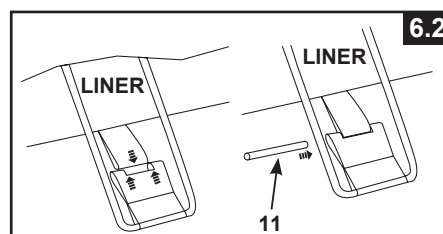
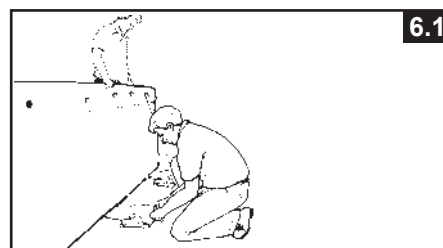
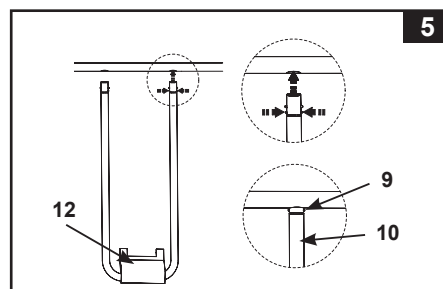
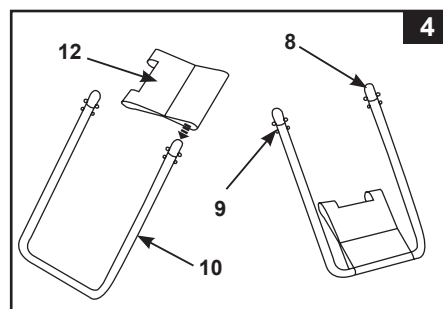
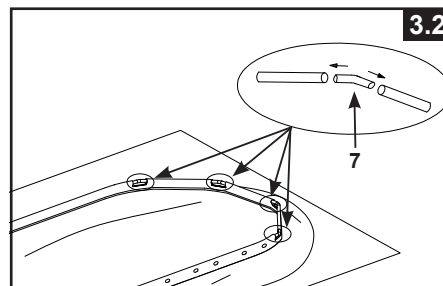
- Be sure the liner is opened and spread out to its fullest extent on top of the ground cloth. Starting with one side, slide the "A" beams first into the sleeve openings located in each corner. Continue with "B" beam snapping into the "A" beam, and another "A" beam snapping into the "B" beam (see drawing 3.1).

Keep the metal beam holes aligned with the white liner sleeve holes. Continue inserting all "A-B-A" beams into the sleeve openings.



## POOL SETUP (continued)

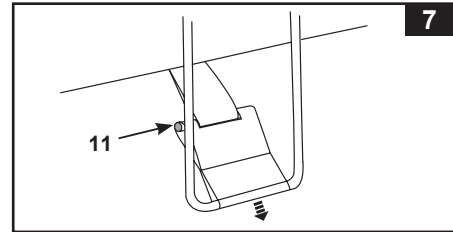
- Start the corner joint combination for the pool's short sides by inserting a corner joint (7) into "A" beam first, then slide a "D" beam into the sleeve opening and over the corner joint (7). Continue inserting all the corner joints and "D" beams (see drawing 3.2). (Be sure all 4 sides end up with the metal beam holes aligned with the white liner sleeve holes.)
  - The last joint connection may be difficult to complete. You can do it though, if you first simultaneously raise the last joint and beam about 2 inches (5 cm). Now insert the corner joint into the beam while lowering the pieces into position. The corner joint will easily slide into the beam.
4. Slide the restrainer strap (12) onto the large U-shaped side support (10). Repeat for all restrainer straps and U-supports (see drawing 4).  
**IMPORTANT: The liner is to remain flat on the ground during the next step #5. This is why 5 - 6' of clearance space around the pool is necessary.**
5. The tops of the U-shaped side supports have a double button spring loaded clip (9) that is factory pre-installed. Insert the side supports into the "A-B-A & D" beam holes by squeezing the bottom button inward with your fingers. Squeezing this bottom button will allow the support to enter the beam. Once the U-support is inside the beam release the finger pressure allowing the support to "SNAP" into place. Repeat this procedure for all U-shaped side supports (see drawing 5).
6. With one person standing inside the pool, raise one corner; insert the connecting rod (11) into the overlapping openings, to connect the liner straps to the restrainer straps. Repeat the operation with the other liner strap and restrainer straps (see drawings 6.1 & 6.2).



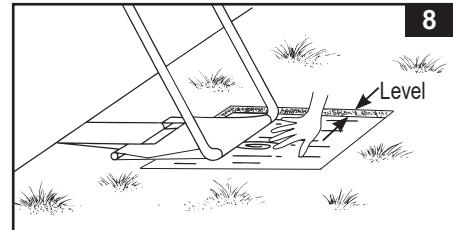


## POOL SETUP (continued)

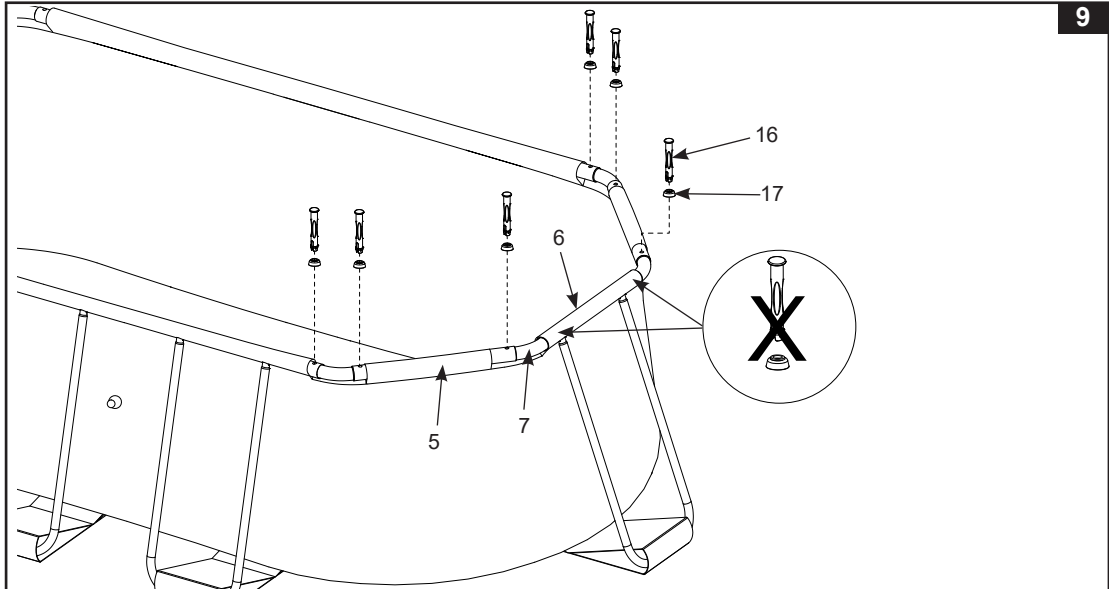
7. Pull the bottoms of the side supports out away from the liner to make the straps taut. Repeat for all locations (see drawing 7).



8. If the ground is not concrete (asphalt, lawn or earth) you must place a piece of pressure-treated wood, size 15" x 15" x 1.2", under each leg and set flush with the ground. The U-shaped side supports must be placed in the center of the pressure-treated wood and with the wood grain perpendicular to the support leg (see drawing 8).  
**NOTE:** Make sure each support pad is recessed and set flush with the ground and not just placed on the ground. Do not use support pads or slabs with slippery, smooth surfaces as the U-shaped side support will slide outward causing damage to the pool and void the warranty.



9. Be sure the pool is set up, starting with one shorter side, insert a pin (16) through the seal (17) and connect the corner joint (7) with the horizontal beam first, continue with "C" beam (5). The center "D" beam (6) is designed to be moveable over the corner joints (7), do not insert any pins into the pre-drilled holes between the center "D" beam (6) and the corner joints (7). Repeat this procedure on the other short side of the pool.  
Shake the pool to be sure that all the joints, legs and beams fit into each other. Ensure that all pins are in position by pushing them downwards through the holes (see drawing 9).  
**IMPORTANT:** The center "D" beam is designed to be moveable over the corner joints and not fixed to the corner joints. This allows the pool side walls to move inward or outward when the pool is in use.



10. Assemble the ladder. The ladder has separate assembly instructions in the ladder box.
11. Place the assembled ladder over one of the sides with one of the liner installation team members entering the pool to smooth out all bottom liner wrinkles. While inside the pool this team member should check the 2 drain valves (in corners) to be sure the inside drain plug is inserted into the valve. This team member should push inside corner in an outward direction.

## POOL SETUP (continued)

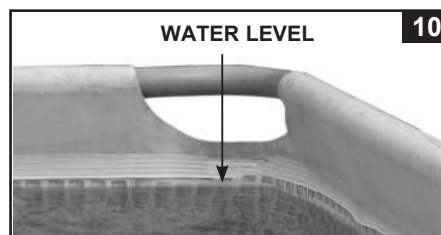
12. Before filling the pool with water, ensure that the drain plug inside the pool is closed and that the drain cap on the outside is screwed on tightly. Fill the pool with no more than 1 inch (2.5 cm) of water. Check to see whether the water is level. Also make sure all the corner joints (7) are properly inserted into the beams before continue filling the pool with water.

**IMPORTANT:** If the water in the pool flows to one side, the pool is not completely level. Setting up the pool on unlevelled ground will cause the pool to tilt resulting in the sidewall material to bulge. If the pool is not completely level, you must drain the pool, level the area and re-fill the pool.

Smooth out the remaining wrinkles (from inside the pool) by pushing out where the pool floor and pool sides meet. Or, (from outside pool) reach under the side of the pool, grasp the pool floor and pull it out. If the ground cloth is causing the wrinkles, have 2 people pull from either side to remove all wrinkles.

13. Fill the pool with water up to just below the sleeve line. (see drawing 10).

**NOTE:** The pool side walls and frame structure will lean inward after having been filled with water to the recommended level. Do not be concerned by the inward leaning of the side walls, this is to accommodate the water movement and pressure when the pool is in use.



## IMPORTANT

Before allowing anyone to use the pool, hold a family meeting. Establish a set of rules that include, at a minimum, the important safety rules and general aquatic safety information in this manual. Review these rules on a regular basis and with all users of the pool, including guests.

## GENERAL AQUATIC SAFETY

Water recreation is both fun and therapeutic. However, it involves inherent risks of injury and death. To reduce your risk of injury, read and follow all product, package and package insert warnings and instructions. Remember, however, that product warnings, instructions and safety guidelines cover some common risks of water recreation, but do not cover all risks and or dangers.

For additional safeguards, also familiarize yourself with the following general guidelines as well as guidelines provided by nationally recognized Safety Organizations:

- Demand constant supervision. A competent adult should be appointed as a "lifeguard" or water watcher, especially when children are in and around the pool.
- Learn to swim.
- Take the time to learn CPR and first aid.
- Instruct anyone who is supervising pool users about potential pool hazards and about the use of protective devices such as locked doors, barriers, etc.
- Instruct all pool users, including children what to do in case of an emergency.
- Always use common sense and good judgement when enjoying any water activity.
- Supervise, supervise, supervise.

## POOL MAINTENANCE & CHEMICALS

### ⚠ WARNING

#### REMEMBER TO

- Protect all pool occupants from possible water-related illnesses by keeping the pool water clean and sanitized. Do not swallow the pool water. Always practice good hygiene.
- Keep your pool clean and clear. The pool floor must be visible at all times from the outside barrier of the pool.
- Keep children away from pool covers to avoid entanglement, drowning, or other serious injury.

#### Water maintenance

The maintenance of a proper water balance through appropriate use of sanitizers is the single most important factor in maximizing the life and appearance of the liner as well as ensuring clean, healthy and safe water. Proper technique is important for testing and treating the pool water. See your pool professional for chemical, test kits and testing procedures. Be sure to read and follow the written instructions from the chemical manufacturer.

1. Never let chlorine come in contact with the liner if it is not completely dissolved. Dissolve granular or tablet chlorine first in a bucket of water, then add it to the pool water. Likewise with liquid chlorine; mix it immediately and thoroughly with the pool water.
2. Never mix chemicals together. Add the chemicals to the pool water separately. Thoroughly dissolve each chemical before adding another one to the water.
3. An Intex pool skimmer and an Intex pool vacuum are available to assist in maintaining clean pool water. See your pool dealer for these pool accessories.
4. Do not use a pressure washer to clean the pool.

## TROUBLESHOOTING

PROBLEM	DESCRIPTION	CAUSE	SOLUTION
<b>ALGAE</b>	<ul style="list-style-type: none"> <li>• Greenish water.</li> <li>• Green or black spots on pool liner.</li> <li>• Pool liner is slippery and/or has a bad odor.</li> </ul>	<ul style="list-style-type: none"> <li>• Chlorine and pH level need adjustment.</li> </ul>	<ul style="list-style-type: none"> <li>• Super chlorinate with shock treatment. Correct pH to your pool store's recommended level.</li> <li>• Vacuum pool bottom.</li> <li>• Maintain proper chlorine level.</li> </ul>
<b>COLORED WATER</b>	<ul style="list-style-type: none"> <li>• Water turns blue, brown, or black when first treated with chlorine.</li> </ul>	<ul style="list-style-type: none"> <li>• Copper, iron or manganese in water being oxidized by the added chlorine.</li> </ul>	<ul style="list-style-type: none"> <li>• Adjust pH to recommended level.</li> <li>• Run filter until water is clear.</li> <li>• Replace cartridge frequently.</li> </ul>
<b>FLOATING MATTER IN WATER</b>	<ul style="list-style-type: none"> <li>• Water is cloudy or milky.</li> </ul>	<ul style="list-style-type: none"> <li>• "Hard water" caused by a too high pH level.</li> <li>• Chlorine content is low.</li> <li>• Foreign matter in water.</li> </ul>	<ul style="list-style-type: none"> <li>• Correct the pH level. Check with your pool dealer for advice.</li> <li>• Check for proper chlorine level.</li> <li>• Clean or replace your filter cartridge.</li> </ul>
<b>CHRONIC LOW WATER LEVEL</b>	<ul style="list-style-type: none"> <li>• Level is lower than on previous day.</li> </ul>	<ul style="list-style-type: none"> <li>• Rip or hole in pool liner or hoses.</li> </ul>	<ul style="list-style-type: none"> <li>• Repair with patch kit.</li> <li>• Finger tighten all caps.</li> <li>• Replace the hoses.</li> </ul>
<b>SEDIMENT ON POOL BOTTOM</b>	<ul style="list-style-type: none"> <li>• Dirt or sand on pool floor.</li> </ul>	<ul style="list-style-type: none"> <li>• Heavy use, getting in and out of pool.</li> </ul>	<ul style="list-style-type: none"> <li>• Use Intex pool vacuum to clean bottom of pool.</li> </ul>
<b>SURFACE DEBRIS</b>	<ul style="list-style-type: none"> <li>• Leaves, insects etc.</li> </ul>	<ul style="list-style-type: none"> <li>• Pool too close to trees.</li> </ul>	<ul style="list-style-type: none"> <li>• Use Intex pool skimmer.</li> </ul>

## POOL MAINTENANCE & DRAINAGE



### CAUTION

ALWAYS FOLLOW THE CHEMICAL MANUFACTURER'S DIRECTIONS, AND THE HEALTH AND HAZARD WARNINGS.

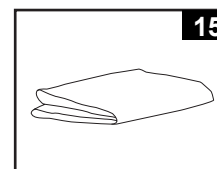
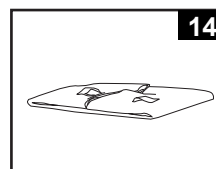
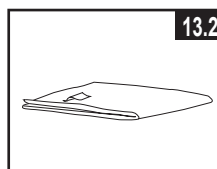
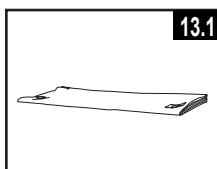
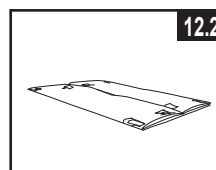
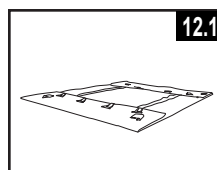
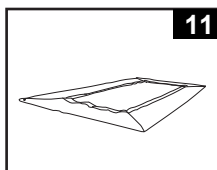
**Do not add chemicals if the pool is occupied. This can cause skin or eye irritation.** Concentrated chlorine solutions can damage the pool liner. In no event is Intex Recreation Corp., Intex Development Co. Ltd., their related companies, authorized agents and service centers, retailers or employees liable to the buyer or any other party for costs associated with the loss of pool water, chemicals or water damage. **Keep spare filter cartridges on hand. Replace cartridges every two weeks.** We recommend the use of a Krystal Clear™ Intex Filter Pump with all of our above-ground-pools.

**EXCESSIVE RAIN: To avoid damage to the pool and over filling, immediately drain rain water that causes the water level to be higher than the maximum.**

#### How to Drain Your Pool and Long Term Storage

**NOTE:** This pool has drain valves installed in 2 corners. Connect the garden hose to the corner valve that directs the water to the appropriate location.

1. Check local regulations for specific directions regarding disposal of swimming pool water.
2. Check to make sure that the drain plug inside the pool is plugged in place.
3. Remove the cap from the drain valve on the outside pool wall.
4. Attach the female end of the garden hose to the drain connector (14).
5. Place the other end of the hose in an area where the water can be safely drained away from the house and other nearby structures.
6. Attach the drain connector to the drain valve. **NOTE: The drain connector will push the drain plug open inside the pool and water will start to drain immediately.**
7. When the water stops draining, start lifting the pool from the side opposite the drain, leading any remaining water to the drain and emptying the pool completely.
8. Disconnect hose and adapter when finished.
9. Re-insert drain plug in drain valve on inside of pool for storage.
10. Replace drain cap on outside of pool.
11. Reverse the set-up instructions to disassemble the pool, and remove all connecting parts.
12. Be sure that the pool and all parts are completely dry before storage. Air dry the liner in the sun until completely dry before folding (see drawing 11). Sprinkle some talcum powder to prevent vinyl from sticking together and to absorb any residual moisture.
13. Create rectangular shape. Starting at one side, fold one-sixth of liner in on itself twice. Do the same on the opposite side (see drawings 12.1 & 12.2).
14. Once you have created two opposing folded sides, simply fold one over the other like closing a book (see drawings 13.1 & 13.2).
15. Fold the two long ends to the middle (see drawing 14).
16. Fold one over the other like closing a book and finally compact the liner (see drawing 15).
17. Store the liner and accessories in a dry, temperature controlled, between 32 degrees Fahrenheit (0 degrees Celsius) and 104 degrees Fahrenheit (40 degrees Celsius), storage location.
18. The original packing can be used for storage.



## WINTER PREPARATIONS

### Winterizing your Above Ground Pool

After usage, you can easily empty and store away your pool in a safe place. You must drain, disassemble and properly store the pool when the temperature drops below 41 degrees Fahrenheit (5 degrees Celsius) to prevent ice damage to the pool and related components. Ice damage can result in sudden liner failure or pool collapse. Also see the section "How To Drain Your Pool".

**Should temperatures in your area not drop below 41 degrees Fahrenheit (5 degrees Celsius), and you choose to leave your pool out, prepare it as follows:**

1. Clean the pool water thoroughly. If the type is an Easy Set Pool, make sure that the top ring is properly inflated.
2. Remove the skimmer (if applicable) or any accessories attached to the threaded strainer connector. Replace strainer grid if necessary. Be sure all accessories parts are clean and completely dry before storage.
3. Plug the Inlet and Outlet fitting from the inside of the pool with the plug provided (sizes 16' and below). Close the Inlet and Outlet Plunger Valve (sizes 17' and above).
4. Remove the ladder (if applicable) and store in a safe place. Be sure the ladder is completely dry before storage.
5. Remove the hoses that connect the pump and filter to the pool.
6. Add the appropriate chemicals for the winter period. Consult your local pool dealer as to which chemicals you should use and how to use them. This can vary greatly by region.
7. Cover pool with Intex Pool Cover. **IMPORTANT NOTE: INTEX POOL COVER IS NOT A SAFETY COVER.**
8. Clean and drain the pump, filter housing and hoses. Remove and discard the old filter cartridge. Keep a spare cartridge for the next season.
9. Bring pump and filter parts indoors and store in a safe and dry area, preferably between 32 degrees Fahrenheit (0 degrees Celsius) and 104 degrees Fahrenheit (40 degrees Celsius).

## LIMITED WARRANTY

Your Intex Pool has been manufactured using the highest quality materials and workmanship. All Intex products have been inspected and found free of defects prior to leaving the factory. This Limited Warranty applies to the Intex Pool only.

This limited warranty is in addition to, and not a substitute for, your legal rights and remedies. To the extent that this warranty is inconsistent with any of your legal rights, they take priority. For example, consumer laws across the European Union provide statutory warranty rights in addition to the coverage you receive from this limited warranty: for information on EU-wide consumer laws, please visit the European Consumer Center website at [http://ec.europa.eu/consumers/ecc/contact\\_en/htm](http://ec.europa.eu/consumers/ecc/contact_en/htm).

The provisions of this Limited Warranty apply only to the original purchaser and are not transferable. This Limited Warranty is valid for the period noted below from the date of the initial retail purchase. Keep your original sales receipt with this document, as proof of purchase will be required and must accompany warranty claims or the Limited Warranty will be invalid.

Pool Liner and Frame Warranty - 1 Year

If you find a manufacturing defect in the Intex Pool during the warranty period, please contact the appropriate Intex Service Center listed in the separate "Authorized Service Centers" sheet. If the item is returned as directed by the Intex Service Center, the Service Center will inspect the item and determine the validity of the claim. If the item is covered by the provisions of the warranty, the item will be repaired or replaced, with the same or comparable item (at Intex's choice) at no charge to you.

Other than this warranty, and other legal rights in your country, no further warranties are implied. To the extent possibly in your country, in no event shall Intex be liable to you or any third party for direct or consequential damages arising out of the use of your Intex Pool, or Intex or its agents' and employees' actions (including the manufacture of the product). If your country does not allow the exclusion or limitation of incidental or consequential damages, this limitation or exclusion does not apply to you.

You should note that this limited warranty does not apply in the following circumstances:

- If the Intex Pool is subject to negligence, abnormal use or application, accident, improper operation, improper maintenance or storage.
- If the Intex Pool is subject to damage by circumstances beyond Intex's control, including but not limited to, punctures, tears, abrasions, ordinary wear and tear and damage caused by exposure to fire, flood, freezing, rain, or other external environmental forces;
- To parts and components not sold by Intex; and/or
- To unauthorized alterations, repairs or disassembly to the Intex Pool by anyone other than Intex Service Center personnel.

The costs associated with the loss of pool water, chemicals or water damages are not covered by this warranty. Injury or damage to any property or person is not covered by this warranty.

Read the owner's manual carefully and follow all instructions regarding proper operation and maintenance of your Intex Pool. Always inspect your product prior to use. This limited warranty will be void if use instructions are not followed.

## IMPORTANT

Lisez et suivez attentivement toutes ces instructions avant d'installer et d'utiliser ce produit. Conserver pour une consultation ultérieure.

# PISCINE OVALE PREMIUM À CADRE PRISM FRAME™

157-1/2" x 78-3/4" x 48" (400 cm x 200 cm x 122 cm)

157-1/2" x 78-3/4" x 39-3/8" (400 cm x 200 cm x 100 cm)



A titre d'illustration uniquement. Les accessoires ne sont pas toujours fournis avec la piscine.

N'oubliez pas d'essayer les autres produits de la gamme Intex : piscines hors sol, accessoires de piscine, piscines gonflables, jouets d'intérieur gonflables, airbeds et bateaux. Ces produits sont disponibles chez les différents revendeurs ou sur notre site internet.

En raison d'une politique d'amélioration continue de ses produits, Intex se réserve le droit de modifier les spécifications et l'apparence, ce qui peut entraîner des mises à jour du manuel d'instruction sans préavis.

## INTEX®

©2020 Intex Marketing Ltd. - Intex Development Co. Ltd. - Intex Recreation Corp. All rights reserved/Tous droits réservés/Todos los derechos reservados/Alle Rechte vorbehalten. Printed in China/Imprimé en Chine/Impreso en China/Gedruckt in China.

®™ Trademarks used in some countries of the world under license from/®™ Marques utilisées dans certains pays sous licence de/Marcas registradas utilizadas en algunos países del mundo bajo licencia de/Warenzeichen verwendet in einigen Ländern der Welt in Lizenz von/Intex Marketing Ltd. to/à/a/an Intex Development Co. Ltd., G.P.O Box 28829, Hong Kong & Intex Recreation Corp., P.O. Box 1440, Long Beach, CA 90801 • Distributed in the European Union by/Distribué dans l'Union Européenne par/Distribuido en la Unión Europea por/Vertrieb in der Europäischen Union durch/Intex Trading B.V., Venneveld 9, 4705 RR Roosendaal - The Netherlands [www.intexcorp.com](http://www.intexcorp.com)

## TABLES DES MATIERES

<b>Attention / Important.....</b>	<b>3-4</b>
<b>Detail des pieces.....</b>	<b>5</b>
<b>Instructions de montage.....</b>	<b>6-10</b>
<b>Règles de sécurité en milieu aquatique.....</b>	<b>10</b>
<b>Entretien de la piscine &amp; produits chimiques.....</b>	<b>11</b>
<b>Résolution du problème.....</b>	<b>11</b>
<b>Entretien de la piscine &amp; vidange.....</b>	<b>12</b>
<b>Préparation pour l'hiver.....</b>	<b>13</b>
<b>Garantie.....</b>	<b>14</b>

### **Introduction :**

*Merci d'avoir acheté une piscine Intex. Merci de prendre quelques minutes pour lire ce manuel avant d'installer votre piscine. Les informations suivantes vont vous permettre de conserver votre piscine plus longtemps, de la rendre plus sûre pour plus d'amusement. 2-4 personnes sont conseillées pour le montage de la piscine. Des personnes supplémentaires rendront l'installation plus rapide suivant la taille de la piscine.*

*Aucun outil n'est nécessaire pour le montage.*



**IMPORTANT**

Lisez et suivez attentivement toutes ces instructions avant d'installer et d'utiliser ce produit.

**⚠ ATTENTION**

- **Utilisez votre piscine sous surveillance constante d'un adulte compétent.**
- Fermez correctement toutes les portes, fenêtres et autres barrières de sécurité pour éviter l'entrée de personnes non autorisées ou non surveillées.
- Installez une barrière de sécurité pour éviter l'entrée de jeunes enfants et d'animaux domestiques.
- La piscine et les accessoires doivent être montés et démontés par des adultes.
- Ne plongez, ne sautez et ne glissez pas dans la piscine.
- Le sol doit être plat, de niveau, compact ou comblé; le non respect de ces recommandations peut entraîner l'effondrement de la piscine et le risque qu'une personne se trouvant dans la piscine soit éjectée.
- Ne vous appuyez pas, n'enjambez pas et n'exercez pas de pression sur le boudin gonflable ou le bord supérieur de la piscine pour éviter toute blessure ou inondation. N'autorisez personne à s'asseoir ou à grimper sur les bords de la piscine.
- Retirez tous les jouets et articles flottants de la piscine et de ses abords lorsque cette dernière n'est pas utilisée. Tout objet présent dans la piscine risquerait d'attirer les jeunes enfants.
- Retirez tout jouet, table, chaise et tout objet sur lequel un enfant pourrait grimper d'un périmètre de 1.22 mètre autour de la piscine.
- Gardez les équipements de sauvetage autour de la piscine et affichez clairement le numéro des urgences près de votre piscine. Exemple d'équipement de sécurité: gilet de sauvetage, bouée de secours attaché à une corde, perche rigide d'au moins 3m60 de long.
- N'utilisez jamais la piscine seul et ne permettez jamais aux autres de l'utiliser seul.
- Gardez votre piscine propre et claire. Le fond de la piscine doit être visible à tous moments depuis l'extérieur de la piscine.
- Si vous utilisez votre piscine de nuit, utiliser un éclairage artificiel pour éclairer les pictogrammes de sécurité, l'échelle, le fond et les abords de la piscine.
- Restez éloignés de la piscine lorsque vous consommez de l'alcool ou de la drogue.
- Tenez la bâche éloignée des enfants afin d'éviter tout étranglement, étouffement ou toute blessure grave.
- Retirez complètement la bâche **avant** d'utiliser votre piscine. Les enfants ou adultes ne peuvent pas être repérés sous une bâche.
- Ne couvrez ou ne découvrez pas votre piscine lorsque vous ou quelqu'un d'autre se trouve dans la piscine.
- Conservez les abords de la piscine propres et dégagés de tout objet afin d'éviter glissades et chutes qui pourraient entraîner des blessures.
- Conservez l'eau de votre piscine propre et saine afin d'éviter toutes maladies provoquées par l'eau de votre bassin. N'avez jamais l'eau de votre piscine. Maintenez la propre.
- Les piscines sont sujettes à l'usure et à la détérioration. Entretenez correctement votre piscine. Certains types de détériorations peuvent entraîner la rupture de votre piscine et le déversement de grande quantité d'eau aux abords.
- Cette piscine est destinée à être utilisée à l'extérieur uniquement.
- Avant toute période d'inutilisation prolongée, videz complètement le produit et rangez le produit vide d'une manière sûre en sorte qu'il ne puisse pas collecter de l'eau de pluie ou d'une autre source et en veillant à ce qu'il ne puisse pas être emporté par des vents violents. Voir les instructions de stockage.
- Quand vous vous servez de votre piscine, vous avez besoin de faire marcher la filtration pour vous assurer que l'eau est complètement renouvelée au moins une fois par jour. Consultez le manuel d'utilisation de la pompe pour calculer le temps nécessaire de fonctionnement.

**L'UTILISATION DE BARRIÈRE ET DE COUVERTURE DE PISCINES NE SE SUBSTITUE PAS À LA SURVEILLANCE CONSTANTE D'ADULTES COMPÉTENTS. LA PISCINE N'EST PAS LIVRÉE AVEC UN MAÎTRE NAGEUR. LES ADULTES DOIVENT DONC AGIR EN TANT QUE TEL ET PROTÉGER LA VIE DES BAINEURS, SPÉCIALEMENT LES ENFANTS, DANS ET AUTOUR DE LA PISCINE.**

**LE NON RESPECT DE CES CONSIGNES DE SÉCURITÉ PEUT ENTRAÎNER DES DÉGÂTS MATÉRIELS, DES BLESSURES GRAVES OU LA MORT.**

**Important :**

Les propriétaires de piscines doivent se mettre en conformité avec les réglementations locales ou nationales, en particulier pour les barrières de sécurité, les éclairages et les autres dispositifs de sécurité. Les clients doivent contacter l'administration locale compétente.

# IMPORTANT

Lisez et suivez attentivement toutes ces instructions avant d'installer et d'utiliser ce produit.

## ATTENTION

**AVERTISSEMENT** : Votre épurateur doit être situé à au moins 2 mètres (IPX5) / 3.5 mètres (IPX4) de votre piscine selon les exigences de la norme d'installation NF C 15-100. Demander l'avis du fabricant pour toute modification d'un ou plusieurs éléments du système de filtration.

Risque électrique. Branchez toujours votre épurateur à une prise avec terre protégée par un disjoncteur différentiel. Adressez-vous à un électricien qualifié pour faire vérifier votre installation si nécessaire. L'épurateur doit être branché à une installation électrique conforme à la norme nationale d'installation NF C 15-100.

Avant d'installer et d'utiliser, la piscine, veuillez lire attentivement, assimiler et respecter toutes les informations contenues dans cette notice d'utilisation. Ces avertissements, instructions et consignes de sécurité portent sur certains des risques usuels associés aux loisirs aquatiques, mais ils ne peuvent pas couvrir la totalité des risques et dangers dans tous les cas. Faites toujours preuve de prudence, de discernement et de bon sens lors des activités aquatiques. Conservez ces informations afin de pouvoir vous y référer ultérieurement. Voir le produit pour les avertissements supplémentaires.

### Général

- Vérifiez les broches, boulons et/ ou vis pour la rouille, éclats ou bords tranchants régulièrement, surtout au niveau des surfaces accessibles pour éviter toute blessure.

### Sécurité des non-nageurs

- Une surveillance attentive, active et continue par un adulte compétent des enfants qui ne savent pas bien nager et des non-nageurs est requise en permanence (en gardant à l'esprit que le risque de noyade est le plus élevé pour les enfants de moins de cinq ans).
- Désignez un adulte compétent pour surveiller le bassin à chaque fois qu'il est utilisé.
- Il convient que les enfants qui ne savent pas bien nager ou les non-nageurs portent des équipements de protection individuelle lorsqu'ils utilisent la piscine.
- Lorsque le bassin n'est pas utilisé ou est sans surveillance, retirez tous les jouets de la piscine et ses abords afin de ne pas attirer les enfants vers le bassin.

### Dispositifs de sécurité

- Il est recommandé d'installer une barrière (et de sécuriser toutes les portes et fenêtres, le cas échéant) afin d'empêcher tout accès non autorisé à la piscine.
- Les barrières, couvertures, alarmes de piscines ou dispositifs de sécurité similaires sont des aides utiles, mais ils ne remplacent pas la surveillance continue par un adulte compétent.

### Équipements de sécurité

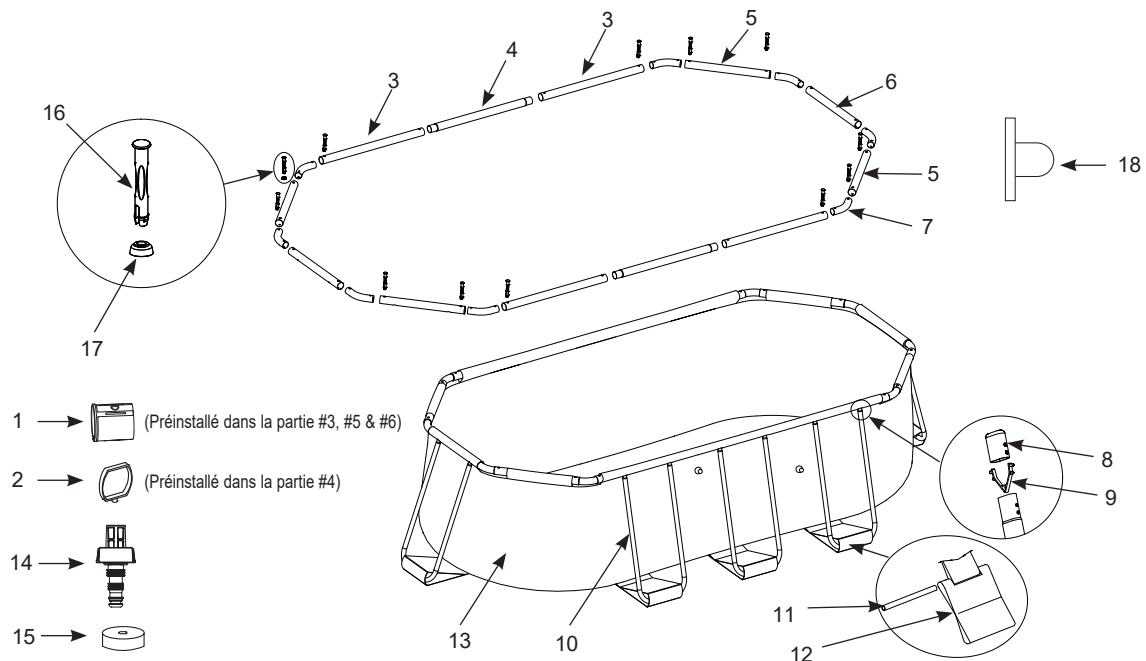
- Il est recommandé de garder du matériel de sauvetage (une bouée, par exemple) près du bassin.
- Gardez un téléphone en parfait état de marche et une liste de numéros d'urgence à proximité du bassin.

### Sécurité d'emploi de la piscine

- Incitez tous les utilisateurs, en particulier les enfants, à apprendre à nager.
- Apprenez les gestes qui sauvent (réanimation cardiopulmonaire) et remettez régulièrement à jour vos connaissances. Ces gestes peuvent sauver une vie en cas d'urgence.
- Expliquez aux utilisateurs de la piscine, enfants inclus, la procédure à suivre en cas d'urgence.
- Ne plongez jamais dans un plan d'eau peu profond, sous peine de blessures graves ou mortelles.
- N'utilisez pas la piscine sous l'emprise d'alcool ou de médicaments susceptibles de réduire votre capacité à utiliser la piscine en toute sécurité.
- Si la piscine est recouverte d'une couverture, retirez-la entièrement de la surface de l'eau avant d'entrer dans le bassin.
- Traitez l'eau de votre piscine et instaurez de bonnes pratiques d'hygiène afin de protéger les utilisateurs des maladies liées à l'eau. Consultez les consignes de traitement de l'eau données dans la notice d'utilisation.
- Stockez les produits chimiques (produits de traitement de l'eau, de nettoyage ou de désinfection, par exemple) hors de portée des enfants.
- Placez les échelles amovibles sur une surface horizontale.
- Observez et respectez les avertissements et les signes de sécurité sur la paroi de la piscine.

## DETAIL DES PIÈCES (SUITE)

Avant d'installer votre piscine, prenez quelques instants pour vérifier son contenu et vous familiariser avec chaque pièces détachées.



**NOTE :** Ce croquis est une simple représentation du produit. Il n'est pas à l'échelle réelle.

N°	DÉSIGNATION	157-1/2" x 78-3/4" x 48" (400 cm x 200 cm x 122 cm)		157-1/2" x 78-3/4" x 39-3/8" (400 cm x 200 cm x 100 cm)	
		QUANTITÉ	RÉFÉRENCE PIÈCE DÉTACHÉE	QUANTITÉ	RÉFÉRENCE PIÈCE DÉTACHÉE
1	INSERT PLASTIQUE POUR COUDE HORIZONTALE	16	12795	16	12795
2	CLIPS SIMPLE	4	10381	4	10381
3	POUTRES (A) (INSERT EN PLASTIQUE INCLUS)	4	12747G	4	12747
4	POUTRES (B) (INCLUS CLIPS SIMPLE)	2	12748G	2	12748
5	POUTRES (C) (INSERT EN PLASTIQUE INCLUS)	4	13008G	4	13008
6	POUTRES (D) (INSERT EN PLASTIQUE INCLUS)	2	12793G	2	12793
7	COUDE	8	12794G	8	12794
8	CAPUCHON SUPÉRIEUR DU PIED EN U	16	10379	16	10379
9	CLIPS DOUBLE	16	10382	16	10382
10	PIEDS EN U (INCLUS CAPUCHON SUPÉRIEUR DU PIED EN U & CLIPS DOUBLE)	8	12570G	8	12167
11	BÂTONNET DE RACCORD	8	10383	8	10383
12	LANGUETTES	8	12217W	8	12217A
13	LINER (INCLUS BOUCHON DE LA BONDE DE VIDANGE)	1	13004W	1	12796
14	ADAPTATEUR DE VIDANGE	1	10201	1	10201
15	BOUCHON DE LA BONDE DE VIDANGE	2	11044	2	11044
16	GOUPILLES (2 EN PLUS)	14	12136	14	12136
17	RONDELLE CAOUTCHOUC (2 EN PLUS)	14	10648	14	10648
18	BUSE (1 EN PLUS)	3	10127	3	10127

## MONTAGE DE LA PISCINE

### INFORMATIONS IMPORTANTES SUR LE CHOIX DU SITE D'INSTALLATION ET SUR LA PREPARATION DU TERRAIN

#### ATTENTION

- Votre piscine doit être installée de façon à vous permettre de fermer toutes portes, fenêtres ou barrières de sécurité pour empêcher l'accès à toute personne non-autorisée ou non surveillée.
- Installez une barrière de sécurité qui empêchera l'accès de votre piscine aux jeunes enfants et aux animaux.
- Le sol doit être plat, de niveau, compact ou comblé, la piscine doit être remplie selon les instructions ci-dessous; le non respect de ces recommandations peut entraîner l'effondrement de la piscine ou le risque qu'une personne se trouvant dans la piscine soit éjectée et sérieusement blessée.
- Risques électriques : branchez uniquement l'épurateur sur une prise reliée à la terre et protégée par un disjoncteur différentiel (DDR) 30mA ou un dispositif de courant résiduel. Afin de diminuer les risques électriques, nous vous recommandons de ne pas utiliser de prolongateur. Choisissez pour votre piscine un emplacement qui permette de vous brancher directement à une prise. Placez le cordon d'alimentation à un endroit où il ne pourra pas être endommagé par une tondeuse, une débroussailleuse ou tout autre appareil. Consultez la notice de votre épurateur pour d'autres avertissements et conseils.
- Risques de blessures graves : N'essayez pas d'assembler la piscine quand il y a beaucoup de vent.

Pour l'installation de votre piscine, choisissez un endroit en prêtant attention aux points suivants :

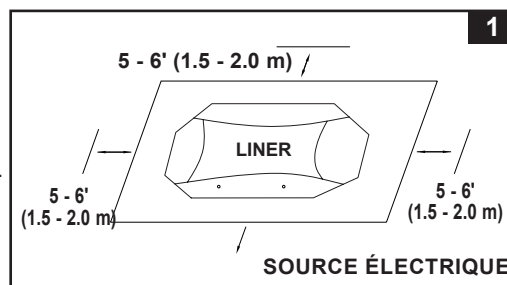
1. Le terrain doit **absolument être plat et de niveau**. N'installez pas votre piscine sur un terrain en pente, pas de niveau.
2. Le terrain doit être compact et suffisamment résistant pour supporter la pression et le poids représenté par une piscine pleine. N'installez pas votre piscine sur un terrain meuble, boueux, sableux ou mou.
3. Ne jamais installer une piscine sur une terrasse, un balcon ou une plate forme qui pourraient s'effondrer sous le poids de la piscine remplie.
4. Prévoyez au moins 1.50 m, 2 m d'espace autour de la piscine sans objet pour éviter qu'un enfant grimpe dessus pour accéder à la piscine.
5. L'herbe sous la piscine sera endommagée. Les éclaboussures peuvent endommager les végétaux.
6. Si le sol n'est pas en béton (par exemple s'il s'agit d'asphalte, de pelouse ou de terre), vous devez placer une pièce de bois traité sous pression, mesurant 15" x 15" x 1,2" (38 x 38 x 3 cm), sous chaque support en forme de U et positionnée **affleurante** ou au niveau du sol. Vous pouvez également utiliser des patins en acier ou des dalles en béton armé. Contactez votre revendeur pour des conseils sur les supports de pieds.  
**NOTE** : N'utilisez pas de patins ou de dalles de support sur des surfaces lisses et glissantes car le support latéral en forme de U glissera vers l'extérieur, endommageant la piscine et annulant la garantie.
7. Éliminez d'abord toutes les mauvaises herbes. Certaines variétés d'herbes (St. Augustine et Bermuda) peuvent pousser sous le liner et le percer. L'herbe qui pousse à travers le liner n'est pas un défaut de fabrication et n'est pas couvert par la garantie.
8. La zone doit faciliter la vidange de l'eau de la piscine.

## MONTAGE DE LA PISCINE (suite)

Votre piscine est peut être équipée du stérilisateur au sel Krystal Clear™. Consultez son manuel d'utilisation pour l'installation qui doit se faire une fois cette unité installée.

Temps moyen de montage : 60-90 minutes (Merci de noter que le temps de montage est approximatif et peut varier selon l'expérience des personnes).

- Tout d'abord, choisissez un endroit plat, de niveau, d'où vous aurez préalablement retiré toute pierre, branche et tout autre objet pointu pouvant altérer le liner.
  - Ouvrez le carton contenant le liner, les joints, les poteaux, etc.. avec précaution, le carton pourra être conservé pour ranger la piscine en hiver ou lorsqu'elle n'est pas utilisée.
  - Étalez un tapis de sol (non fourni) sur la zone nettoyée. Sortez le liner du carton et dépliez-le sur le tapis de sol en plaçant la bonde de vidange vers l'endroit prévu pour vidanger la piscine. Placez la valve de vidange éloignée de la maison. Déballez le liner de façon à ce qu'il s'assouplisse à la chaleur du soleil. Le liner se manipulera ainsi plus facilement. Veillez à ce que le liner soit bien centré sur le tapis de sol. Assurez-vous également que l'extrémité du liner munie des deux trous soit bien face à votre source d'alimentation électrique.



**IMPORTANT : Ne traînez pas la piscine, vous risqueriez de l'endommager (voir dessin 1).**

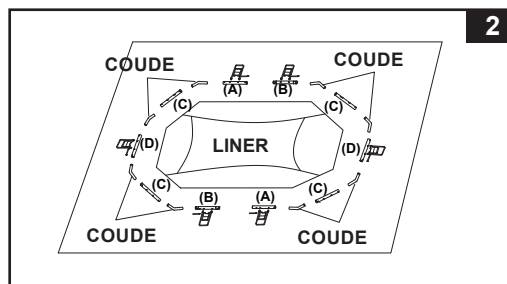
- Lors de l'installation de votre piscine, dirigez les buses de connexion des tuyaux en direction de la source de courant. Lors de l'installation de votre piscine, pensez à la placer en tenant compte des longueurs de tuyaux et de cordon électrique de votre épurateur (selon modèle).

- Retirez toutes les pièces du carton et disposez les sur le sol, à l'endroit où elles devront être assemblées. Reprenez la liste complète des pièces détachées et vérifiez que tous les éléments à assembler sont présents (voir dessin 2).

**IMPORTANT : Si des pièces manquent, ne commencez pas le montage. Contactez le service consommateur pour commander vos pièces de rechange.**

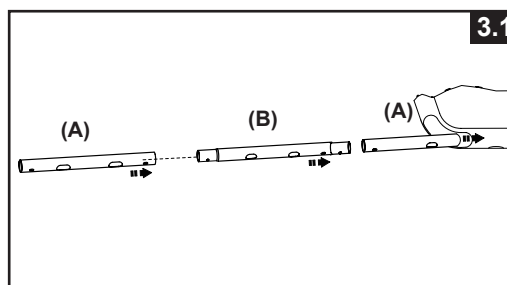
Après l'inventaire de chacune des pièces détachées, retirez-les du tapis de sol pour pouvoir débiter le montage.

**NOTE : Saupoudrez un peu de talc sur les poutres horizontales avant de les insérer dans le manchon du liner de la piscine. Cela facilitera leur retrait du liner lors du démontage de la piscine.**



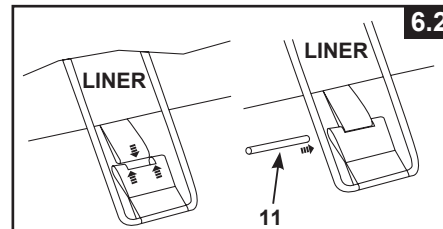
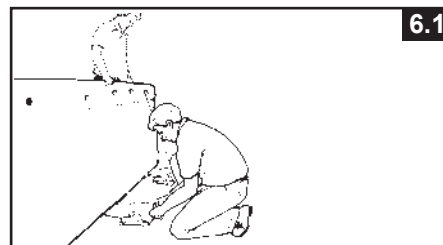
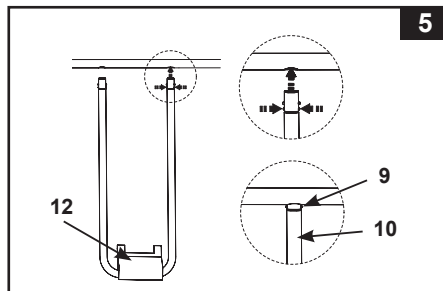
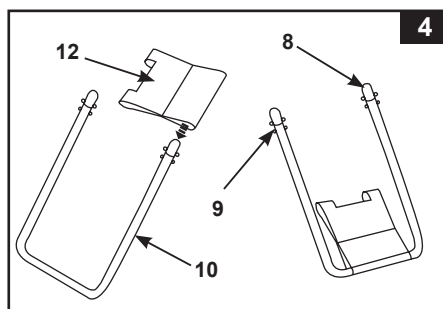
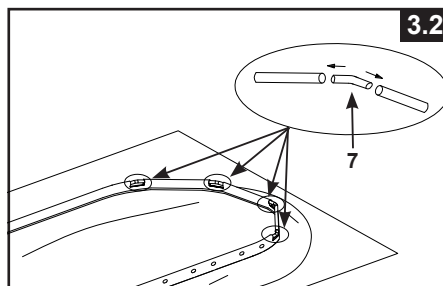
- Assurez vous que le liner soit complètement déplié et bien étendu sur le tapis de sol. Commencez par les grands côtés, insérez la poutre 'A' en premier dans les bordures du liner situées dans chaque coin. Continuez avec les poutres 'B' en les clipsant dans la poutre 'A' puis la poutre 'A' dans les poutres 'B' (voir dessin 3.1).

Alignez les trous des poutres avec ceux de la manche. Poursuivre en insérant les poutres "A-B-A" dans la bordure du liner.



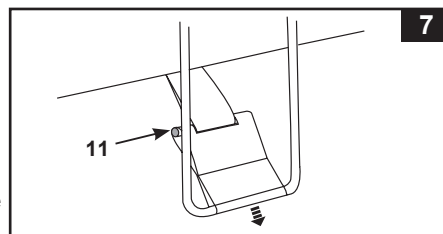
## MONTAGE DE LA PISCINE (suite)

- Démarrez l'assemblage des joints coudés pour les côtés courts de la piscine en insérant d'abord un joint coudé (7) dans une poutre A, puis insérez une poutre D dans l'ouverture du manchon et par-dessus le joint coudé (7). Continuez en insérant tous les joints coudés et toutes les poutres D (voir dessin 3.2). (Assurez-vous que les ouvertures soient tournées vers le haut et que les trous des poutres soient alignés avec ceux du liner.)
  - Le raccordement du dernier joint peut être difficile à réaliser. Pour le réaliser, soulevez d'abord simultanément le dernier raccord et la poutre de 5 cm environ. Puis, insérez le joint coudé dans la poutre tout en les abaissant en position. Le joint coudé glisse ainsi facilement dans la poutre.
4. Faites glisser la languette (12) dans le pied en U (10). Répétez cette opération pour chacune des languettes et des pieds en U (voir dessin 4).  
**IMPORTANT : Le liner doit être parfaitement à plat pour commencer l'étape N° 5. Assurez-vous que vous disposez de l'espace libre nécessaire .**
  5. Les pieds en U sont équipés de double clips montés préalablement en usine. Insérez les pieds en U dans les trous des poutres horizontales en appuyant avec vos doigts sur les double-clips. Lorsque le pied est à l'intérieur de la poutre, relâchez le clip et la poutre se mettra en place en faisant un claquement. Répétez cette opération pour chacun des pieds (voir dessin 5).
  6. Lorsqu'une personne située à l'intérieur de la piscine relève un coin, insérez le bâtonnet de raccord (11) à l'intérieur de la languette pour l'assembler avec le liner. Répétez l'opération avec les autres sangles de liner et de retenue (voir dessins 6.1 & 6.2).

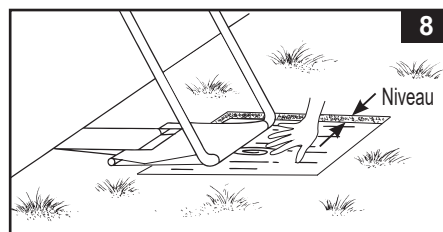


## MONTAGE DE LA PISCINE (suite)

7. Tirez ensuite le bas du pied vers l'extérieur de façon à étirer au maximum les languettes. Répétez l'opération sur chacun des pieds (voir dessin 7).



8. Si le sol n'est pas dur et stable (goudron, pelouse ou terre) vous devrez mettre en place une pièce de bois contreplaqué marin de taille 38 x 38 x 3 cm (15" x 15" x 1.2") sous chaque pied en U. Les pieds en U doivent être placés au centre de la pièce de bois en contreplaqué marin perpendiculairement aux nervures du bois (voir dessin 8).

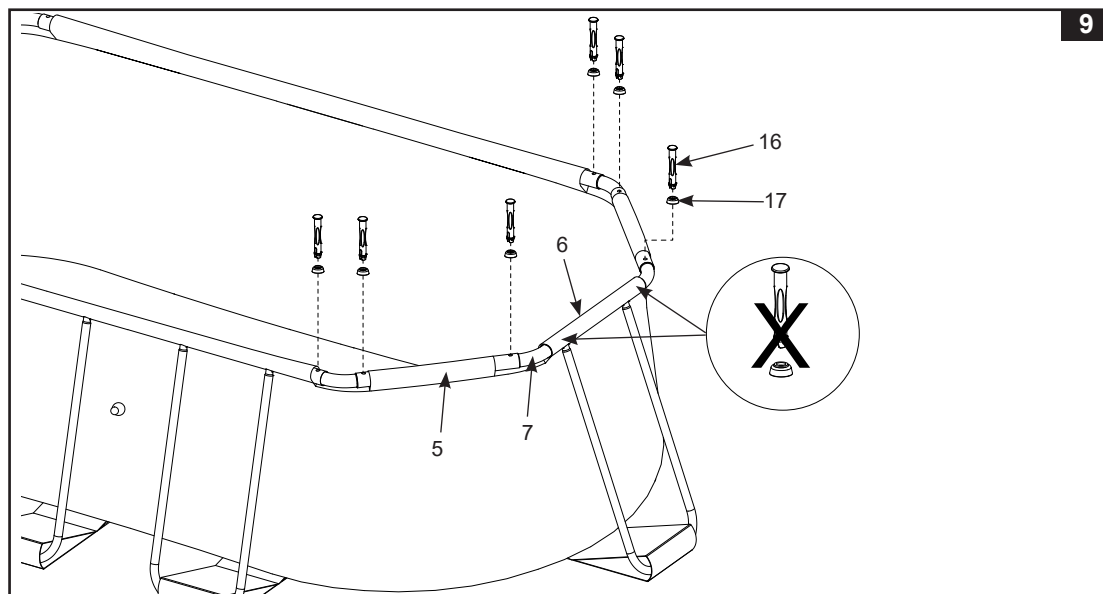


**NOTE :** Assurez-vous que chaque patin de support est encastré et positionné affleurant avec le sol, et non pas seulement placé sur le sol. N'utilisez pas de patins ou de dalles de support sur des surfaces lisses et glissantes car le support latéral en forme de U glissera vers l'extérieur, endommageant la piscine et annulant la garantie.

9. Vérifiez que la piscine est installée, démarrez avec un côté court, insérez une goupille (16) dans le joint (17) et raccordez le joint coudé (7) à la poutre horizontale, puis continuez avec la poutre « C » (5). La poutre centrale « D » (6) est conçue pour être déplaçable sur les joints coudés (7), n'insérez aucune goupille dans les trous prépercés entre la poutre « D » centrale (6) et les joints coudés (7). Répétez cette procédure sur l'autre côté court de la piscine.

Secouez la piscine pour vérifier que tous les joints et toutes les jambes et poutres sont assemblés les uns dans les autres. Veillez à ce que toutes les goupilles soient en position en les poussant vers le bas dans les trous (voir dessin 9).

**IMPORTANT :** La poutre « D » centrale est conçue pour être déplaçable sur les joints coudés et ne pas être fixée aux joints coudés. Ceci permet une flexibilité des parois latérales de la piscine vers l'intérieur ou vers l'extérieur lorsque la piscine est en cours d'utilisation.



10. Assemblez l'échelle. Les instructions de montage se trouvent dans la boîte de l'échelle.
11. Placez l'échelle sur l'un des côtés de la piscine. Vous pouvez ainsi entrer dans la piscine pour étirer le liner et éliminer les plis du fond. Depuis l'intérieur de la piscine, vérifiez également si la bonde de vidange est bien mise en place dans la valve. Puis, poussez vers l'extérieur chacun des quatre coins de la piscine.

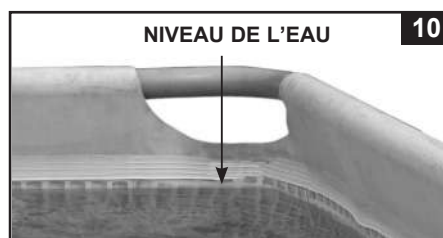
## MONTAGE DE LA PISCINE (suite)

12. Avant de commencer le remplissage, assurez-vous que la partie intérieure de la bonde de vidange soit correctement fermée et que la partie extérieure soit bien vissée. Commencez par remplir 1 cm puis regardez si vous ne voyez pas de différence de niveau entre 2 côtés opposés (afin de voir si le terrain est bien de niveau). Vérifiez également que tous les joints coudés (7) sont correctement insérés dans les poutres avant de continuer à remplir la piscine avec de l'eau.

**IMPORTANT :** si l'eau coule vers un côté seulement de la piscine, cela signifie que votre sol n'est pas de niveau. Si vous installez la piscine sur un terrain qui n'est pas de niveau, cela entraînera une inclinaison de la piscine, qui engendrera un renflement de la paroi. Si la piscine n'est pas parfaitement de niveau, vous devez la vider, remettre le terrain de niveau, et remplir à nouveau la piscine.

Commencez à faire disparaître les plis (de l'intérieur de la piscine) en poussant vers l'extérieur le bas du liner, ou (de l'extérieur) en tirant le fond. Si les plis sont causés par le tapis de sol, 2 personnes doivent tirer sur le liner de côtés opposés, afin d'enlever tous les plis.

13. L'eau peut être remplie juste en dessous de la ligne intérieure soudée (voir dessin 10).  
**NOTE :** Les parois latérales de la piscine ainsi que sa structure s'inclineront vers l'intérieur après remplissage d'eau jusqu'au niveau recommandé. Ne soyez pas inquieté par l'inclinaison vers l'intérieur des parois latérales, c'est pour permettre le mouvement de l'eau et de la pression lorsque la piscine est en utilisation.



## IMPORTANT

Avant de permettre l'accès à la piscine, fixez les règles d'utilisation avec au minimum les règles importantes de sécurité et les conseils de sécurité en milieu aquatique décrits dans ce manuel.

## RÈGLES DE SÉCURITÉ EN MILIEU AQUATIQUE

Les loisirs nautiques sont à la fois amusants et relaxants. Cependant, ils représentent des risques de blessures et de mort. Afin de réduire ces risques, lisez et suivez toutes les instructions présentes sur les produits, les emballages et les notices. Soyez conscient que les instructions et mises en garde couvrent les risques les plus communs mais d'autres existent.

Pour plus de sécurité, familiarisez-vous avec les mises en garde suivantes ainsi qu'à celles propres à chaque organisation nationale :

- Demandez lui une surveillance constante. Un adulte compétent doit être désigné comme "maître nageur" ou surveillant de baignade, surtout quand des enfants sont dans ou autour de la piscine.
- Apprenez à nager.
- Prenez le temps d'apprendre les premiers gestes de secours.
- N'hésitez pas à informer toute personne en charge de la surveillance de la baignade de l'existence de système de sécurité tels que les barrières, portes verrouillées....
- Informez tout les utilisateurs de la piscine, les enfants inclus des procédures d'urgence.
- Faites preuve de bon sens et de raison lors d'activités nautiques.
- Surveillez, surveillez, surveillez.



## ENTRETIEN DE LA PISCINE & PRODUITS CHIMIQUES

### ⚠ ATTENTION

#### PENSEZ A

- Conservez l'eau de votre piscine propre et saine afin d'éviter toute maladie provoquée par l'eau de votre bassin. N'avez jamais l'eau de votre piscine. Maintenez la propre.
- Garder votre piscine propre et claire. Le fond de la piscine doit être visible à tous moments depuis l'extérieure de la piscine.
- Tenez la bâche éloignée des enfants afin d'éviter tout étranglement, étouffement ou toute blessure grave.

#### Entretien de l'eau

Le maintien d'une eau de bonne qualité est le facteur le plus important pour prolonger la durée de vie de votre piscine et avoir une piscine propre et saine. Des techniques appropriées sont nécessaires pour tester votre eau. Consultez votre spécialiste en produits chimiques pour ces tests. Assurez-vous de bien lire et de bien suivre les instructions des fabricants de produits chimiques.

1. Ne laissez jamais le chlore en contact direct avec le liner avant qu'il soit complètement dissous. Les granulés ou les tablettes doivent être préalablement dissous dans un seau d'eau. En outre, le chlore liquide doit être mélangé avec l'eau de la piscine lors de son introduction.
2. Ne mélangez jamais différents produits chimiques. Ajoutez les l'un après l'autre dans la piscine, en veillant bien à leur dissolution complète.
3. L'écumette et l'aspirateur de piscine INTEX sont disponibles pour vous aider à conserver une eau propre. Consultez votre revendeur pour plus de renseignements sur ces accessoires.
4. N'utilisez pas de nettoyeur haute pression pour nettoyer la piscine.

## RÉSOLUTION DU PROBLÈME

PROBLEMES	DÉSIGNATION	CAUSE	REMEDY
ALGUES	<ul style="list-style-type: none"> <li>• Eau verdâtre</li> <li>• Points noirs ou verts sur le liner.</li> <li>• Le liner est glissant et/ou a une mauvaise odeur.</li> </ul>	<ul style="list-style-type: none"> <li>• Le niveau de chlore et de pH ont besoin d'être ajustés.</li> </ul>	<ul style="list-style-type: none"> <li>• Effectuez un traitement chlore choc. Corrigez le niveau de pH selon les instructions du fabricant de produits chimiques.</li> <li>• Nettoyez soigneusement les tâches à la brosse.</li> <li>• Maintenez constamment un niveau de chlore correct.</li> </ul>
EAU COLOREE	<ul style="list-style-type: none"> <li>• Lors du premier traitement au chlore, l'eau devient bleue, brune ou noire.</li> </ul>	<ul style="list-style-type: none"> <li>• Du cuivre, du fer ou du manganèse de l'eau ont été oxydés par le chlore.</li> </ul>	<ul style="list-style-type: none"> <li>• Ajuster le niveau de PH et de chlore.</li> <li>• Faites fonctionner l'épurateur jusqu'à ce que l'eau soit claire.</li> <li>• Remplacez la cartouche couramment.</li> </ul>
EAU BLANCHATRE	<ul style="list-style-type: none"> <li>• L'eau a une apparence laiteuse.</li> </ul>	<ul style="list-style-type: none"> <li>• Une eau trop dure -causé par un pH trop élevé.</li> <li>• Niveau de chlore trop faible.</li> <li>• Matières en suspension.</li> </ul>	<ul style="list-style-type: none"> <li>• Corrigez le pH. Consultez un spécialiste pour un traitement de l'eau.</li> <li>• Corrigez le niveau de chlore.</li> <li>• Nettoyez ou remplacez votre cartouche.</li> </ul>
NIVEAU D'EAU TROP BAS	<ul style="list-style-type: none"> <li>• Chaque matin, le niveau d'eau est anormalement bas.</li> </ul>	<ul style="list-style-type: none"> <li>• Déchirures ou trous dans le liner ou les tuyaux.</li> <li>• Bonde de vidange, tuyaux mal serrés.</li> </ul>	<ul style="list-style-type: none"> <li>• Réparez avec le kit de réparation.</li> <li>• Resserrez manuellement bonde de vidange et tuyaux.</li> <li>• Remplacez les tuyaux.</li> </ul>
DEPOTS DANS LE FOND DE LA PISCINE	<ul style="list-style-type: none"> <li>• Impuretés ou sable dans le fond de la piscine.</li> </ul>	<ul style="list-style-type: none"> <li>• Entrées et sorties incessantes dans la piscine sans pédiluve.</li> </ul>	<ul style="list-style-type: none"> <li>• Utilisez l'aspirateur de piscine INTEX pour nettoyer le fond de la piscine.</li> </ul>
MATIERES EN SUSPENSION DANS L'EAU	<ul style="list-style-type: none"> <li>• Feuilles, insectes ...</li> </ul>	<ul style="list-style-type: none"> <li>• Piscine trop proche d'arbres.</li> </ul>	<ul style="list-style-type: none"> <li>• Utilisez le skimmer de surface Intex.</li> </ul>

## ENTRETIEN DE LA PISCINE & VIDANGE



### ATTENTION

SUIVEZ TOUJOURS LES INSTRUCTIONS DES FABRICANTS DE PRODUITS CHIMIQUES AINSI QUE LES AVERTISSEMENTS SUR LA SANTE ET SUR LES RISQUES LIES A L'UTILISATION DE TELS PRODUITS.

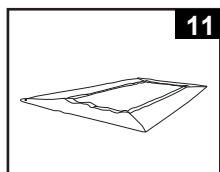
**Ne versez pas de produits chimiques dans votre piscine lorsqu'elle est occupée afin d'éviter tout risque d'irritation de la peau et des yeux.** En aucun cas Intex, ses agents autorisés ou employés ne sont responsables auprès de l'acheteur ou d'une tierce partie pour les coûts engendrés par une perte d'eau, de produits chimiques ou de dégâts des eaux. **Ayez à disposition des cartouches de remplacement. Remplacez votre cartouches toutes les 2 semaines. Les épurateurs Krystal Clear™ Intex peuvent être utilisés avec toutes nos piscines.**

**Pour éviter d'abîmer la piscine et de faire déborder l'eau, vidanger le surplus d'eau.**

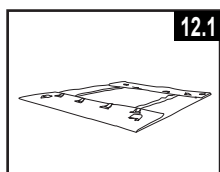
#### La vidange et l'hivernage de votre piscine

**NOTA:** Cette piscine est munie de 2 bondes de vidange situées dans deux des coins du liner. Raccordez votre tuyau d'arrosage à une des bondes et dirigez votre tuyau là où vous désirez vider l'eau.

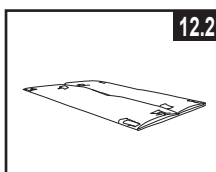
1. Vérifiez les règles locales quant aux eaux des piscines.
2. Assurez-vous que la bonde de vidange à l'intérieur de la piscine soit bien en place.
3. Retirez la partie de la bonde de vidange située à l'extérieur de la piscine.
4. Reliez votre tuyau d'arrosage à l'adaptateur.
5. Placez l'autre extrémité du tuyau sur le site d'évacuation.
6. Branchez l'adaptateur à la bonde de vidange. **NOTE : l'adaptateur va pousser la partie intérieure de la bonde de vidange et l'eau commencera à s'évacuer immédiatement.**
7. Quand l'eau ne s'écoule plus, commencez à soulever la piscine par le côté opposé à la bonde de vidange. Cela permettra à l'eau restante de s'évacuer complètement.
8. Une fois votre piscine vidée, retirez le tuyau et son adaptateur.
9. Refermez la bonde de vidange à l'intérieur de la piscine.
10. Rebouchez la Valve de vidange à l'extérieur de la piscine.
11. Pour le démontage de la piscine, effectuez les instructions de montage à l'envers et retirez toute la tuyauterie.
12. Veillez à ce que la piscine et toutes ses pièces soient complètement sèches avant de les stocker. Séchez le liner à l'air libre au soleil jusqu'à ce qu'il soit complètement sec avant de le plier (**voir dessin 11**).  
Talquez le liner pour éviter qu'il se colle et pour absorber l'humidité.
13. Pour le pliage, commencez par faire un carré. En commençant d'un côté, pliez 1/6 du liner sur lui-même 2 fois. Effectuez la même opération du côté opposé (**voir dessins 12.1 & 12.2**).
14. Pliez ensuite un côté sur l'autre comme si vous refermiez un livre (**voir dessins 13.1 & 13.2**).
15. Pliez les 2 grandes parties au milieu (**voir dessin 14**).
16. Pliez une partie sur l'autre comme vous fermez un livre et pressez le liner (**voir dessin 15**).
17. Rangez le liner et les accessoires dans un endroit tempéré entre 0°C et 40°C.
18. Le carton d'origine peut être utilisé pour l'hivernage.



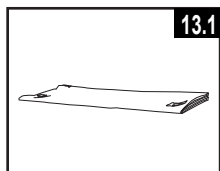
11



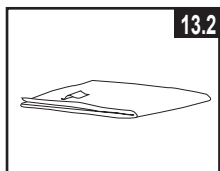
12.1



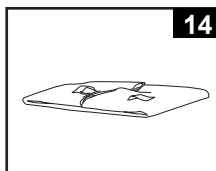
12.2



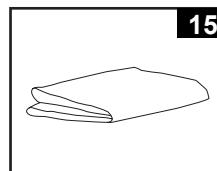
13.1



13.2



14



15

## PRÉPARATION POUR L'HIVER

### Rangez votre piscine pendant l'hiver

Votre piscine est facile à vider et à ranger. Vous devez vider, démonter et ranger correctement la piscine quand la température descend en dessous de 5°C pour éviter d'endommager la piscine et ses composants. Le gel peut entraîner la dégradation du liner ou son effondrement. Consultez la partie "comment vidanger votre piscine".

Si les températures ne descendent pas en dessous de 5°C dans votre région, et que vous décidez de laisser votre piscine montée pendant l'hiver, suivez les recommandations suivantes :

1. Nettoyez l'eau de votre piscine minutieusement (s'il s'agit d'une piscine autostable Easy Set, assurez-vous que le boudin soit correctement gonflé).
2. Retirez le skimmer (selon modèle) ou tout autre accessoire connecté aux crépines. Remettez la grille à la crépine si nécessaire. Assurez-vous que toutes les pièces soient propres et sèches avant de les ranger.
3. Pour les piscines jusqu'à 488 cm de diamètre, bouchez les buses avec les bouchons noirs fournis. Pour les piscines à partir de 518 cm, fermez les vannes d'arrêts.
4. Retirez l'échelle (selon modèle) et rangez-la dans un endroit tempéré. Assurez-vous qu'elle soit complètement sèche avant de la ranger.
5. Retirez les tuyaux reliant l'épurateur à la piscine.
6. Ajoutez les produits d'hivernage adaptés. Consultez votre revendeur pour plus d'information.
7. Installez votre bâche de protection INTEX. **IMPORTANT : LES BACHE INTEX NE SONT PAS DES BACHES DE SECURITE.**
8. Nettoyez et vidangez votre épurateur et vos tuyaux. Retirez et jetez votre ancienne cartouche de filtration (prévoyez en une pour la prochaine saison).
9. Rangez votre épurateur et ses accessoires dans un endroit tempéré et sec, de préférence entre 0°C et 40°C.

## GARANTIE LIMITÉE

Votre piscine INTEX a été fabriquée avec des matériaux de la meilleure qualité et un savoir-faire de haut niveau. Tous les produits Intex ont été inspectés et sont exempts de vices de fabrication. La garantie limitée ne s'applique qu'à la piscine INTEX.

Cette garantie limitée est en complément, et non en remplacement, de la garantie légale. Dans les cas où cette garantie serait en contradiction avec vos droits locaux, ces derniers restent prioritaires. Par exemple, les lois européennes apportent des droits statutaires complémentaires à ceux offerts par la garantie limitée. Pour plus d'informations, consultez le site Internet européen : [http://ec.europa.eu/consumers/ecc/contact\\_en/htm](http://ec.europa.eu/consumers/ecc/contact_en/htm).

Les dispositions de cette garantie limitée s'appliquent seulement au premier acheteur. Cette garantie limitée n'est pas transférable. La période de garantie est valable pour la durée indiquée ci-dessous, à partir de la date d'achat initiale. Conservez l'original du ticket de caisse avec ce manuel, car une preuve d'achat sera exigée et devra accompagner les réclamations ; dans le cas contraire, la garantie limitée n'est pas valide.

Garantie de liner et structure de piscine - 1 an

Si un défaut de fabrication est détecté durant cette période de 1 an, merci de contacter le Service Consommateur Intex approprié listé dans le document « Services Consommateurs agréés » ci-joint. Si l'article est couvert par les termes de la garantie, le produit sera réparé ou échangé avec un produit similaire (de notre choix) sans frais de votre part.

Aucune garantie complémentaire (autre que légale) ne sera appliquée. En aucun cas INTEX, ses agents et/ou employés ne sauront être tenus responsables des dommages directs ou indirects résultant de l'utilisation du piscine INTEX (y compris la fabrication du produit). Certains pays ou certaines juridictions n'autorisent pas l'exclusion ou la limitation des dommages impliqués ou accessoires, les limitations ou exclusions ci-dessus ne s'appliquent donc peut-être pas à vous.

Cette garantie limitée ne s'applique pas dans les circonstances suivantes:

- Si le piscine INTEX est l'objet de négligences, d'une utilisation ou une application anormales, d'un accident, d'une mauvaise utilisation, un mauvais entretien ou stockage.
- Si le piscine INTEX est soumis à des dégâts par des circonstances hors du contrôle d'INTEX, y compris mais sans s'y limiter, les crevaisons, les déchirures, l'abrasion, l'usure normale et les dommages causés par exposition au feu, au gel, à la pluie, à une inondation ou à tout autre facteur environnemental externe.
- Pour les pièces et composants non vendus par INTEX; et/ ou.
- Les modifications non autorisées, les réparations ou le démontage du piscine INTEX par une personne autre que le personnel des centres SAV INTEX.

Les coûts résultant de la perte d'eau de la piscine, les dégâts causés par les produits de traitement chimique ou l'eau ne sont pas couverts par cette garantie. Les blessures ou les dégâts matériels ne sont en aucun cas couverts par cette garantie.

Lisez le manuel avec attention et suivez les instructions concernant le fonctionnement et l'entretien de votre piscine INTEX. Inspectez toujours votre produit avant de l'utiliser. La garantie peut être annulée si les instructions ne sont pas suivies.



## NORMAS IMPORTANTES DE SEGURIDAD

Lea, comprenda y siga todas las instrucciones cuidadosamente antes de instalar y utilizar este producto. Conserve para futuras referencias.

# PISCINA PREMIUM PRISM FRAME™ OVALADA

157-1/2" x 78-3/4" x 48" (400 cm x 200 cm x 122 cm)

157-1/2" x 78-3/4" x 39-3/8" (400 cm x 200 cm x 100 cm)



Es una ilustración. Los accesorios no están incluidos con la piscina.

No se olvide de probar otros productos Intex: Piscinas, Accesorios para piscinas, Piscinas inflables, Juguetes, Camas de aire y barcas están disponibles en nuestros distribuidores o visitando nuestra página web. Debido a una política de mejora continuada de producto, Intex se reserva el derecho a modificar las especificaciones y la apariencia, lo cual puede implicar cambios en el manual de instrucciones, sin previo aviso.

**INTEX**® ©2020 Intex Marketing Ltd. - Intex Development Co. Ltd. - Intex Recreation Corp. All rights reserved/Tous droits réservés/Todos los derechos reservados/Alle Rechte vorbehalten. Printed in China/Imprimé en Chine/Impreso en China/Gedruckt in China.

©™ Trademarks used in some countries of the world under license from/©™ Marques utilisées dans certains pays sous licence de/ Marcas registradas utilizadas en algunos países del mundo bajo licencia de/Warenzeichen verwendet in einigen Ländern der Welt in Lizenz von/Intex Marketing Ltd. to/à/a/an Intex Development Co. Ltd., G.P.O Box 28829, Hong Kong & Intex Recreation Corp., P.O. Box 1440, Long Beach, CA 90801 • Distributed in the European Union by/Distribué dans l'Union Européenne par/Distribuido en la Unión Europea por/Vertrieb in der Europäischen Union durch/Intex Trading B.V., Venneveld 9, 4705 RR Roosendaal - The Netherlands [www.intexcorp.com](http://www.intexcorp.com)

## TABLA DE CONTENIDOS

<b>Advertencia / Normas importantes de seguridad.....</b>	<b>3-4</b>
<b>Referencia de piezas.....</b>	<b>5</b>
<b>Instrucciones de montaje.....</b>	<b>6-10</b>
<b>Seguridad acuática.....</b>	<b>10</b>
<b>Mantenimiento de la piscina &amp; productos químicos.....</b>	<b>11</b>
<b>Resolución de problemas.....</b>	<b>11</b>
<b>Mantenimiento de la piscina &amp; desagüe.....</b>	<b>12</b>
<b>Preparativos de invierno.....</b>	<b>13</b>
<b>Garantía limitada.....</b>	<b>14</b>

### **Introducción:**

*Gracias por haber comprado una Piscina Intex. Por favor lea este manual antes de empezar a montar la piscina. Esta información le ayudará a extender la durabilidad de la piscina y a crear un ambiente más seguro y placentero para su familia. Se recomienda instalarla entre 2 o 4 personas. Si son más, acelerarán el montaje.*

*No se necesitan herramientas para el montaje.*

# NORMAS IMPORTANTES DE SEGURIDAD

Lea, comprenda y siga todas las instrucciones cuidadosamente antes de instalar y utilizar este producto.

## ⚠ ADVERTENCIA

- **Los niños deberán ser supervisados por adultos competentes en todo momento.**
- Asegure puertas, ventanas y barreras de seguridad para prevenir la entrada no autorizada, ni intencionada, ni supervisada a la piscina.
- Instale una barrera de seguridad que elimine el acceso a la piscina de niños pequeños y de mascotas.
- La piscina y los accesorios deberán ser montados y desmontados exclusivamente por adultos.
- Nunca salte, se tire o se deslice dentro de una piscina sobre suelo o en aguas que no sean suficientemente profundas.
- El no montar la piscina en una superficie completamente plana/lisa y nivelada o excederse en el máximo de agua indicada puede ocasionar el colapso de la piscina y la posibilidad de que personas en el interior de la piscina puedan ser arrastradas / lanzadas fuera.
- No se apoye, salte o ejerza presión sobre el aro, ya que pueden ocurrir daños e inundaciones. No permita que nadie se siente, salte o se apoye en los lados de la piscina.
- Quite todos los juguetes y flotadores de dentro y de alrededor de la piscina cuando no se utilice. Objetos dentro de la piscina atraen a los niños pequeños.
- Mantenga retirados por lo menos a 1.22 metro todo tipo de juguetes, sillas, mesas o cualquier objeto al que un niño se pueda subir.
- Tenga cerca de la piscina el equipo de rescate y los números de teléfono de emergencias. Ejemplo de equipamiento de rescate: boya con cuerda de seguridad aprobada por los guarda costas, pértiga rígida con una largura no mayor a 366 cm.
- Nunca nade sólo, ni deje que otros naden solos.
- Mantenga su piscina limpia y clara. El fondo de la piscina debe estar visible todo el tiempo desde fuera de las vallas protectoras.
- Si va a nadar durante la noche utilice luces artificiales para iluminar los símbolos de seguridad, escaleras, el fondo de la piscina y senderos.
- Manténgase lejos de la piscina si está tomando alcohol o drogas.
- Mantenga a los niños lejos del cobertor de la piscina para evitar ahogamientos, enredos u otros daños más serios.
- El cobertor de la piscina debe quitarse completamente antes de utilizar la piscina. Niños y adultos no pueden ser vistos debajo de un cobertor.
- No tape o destape la piscina cuando usted o alguien esté dentro de la piscina.
- Mantenga la piscina y la zona de alrededor limpia y despejada para evitar descuidos y caídas y quitar objetos que puedan causar daños.
- Proteja a los ocupantes de la piscina de enfermedades o contagios a través del agua, manteniéndola siempre limpia. No tragar el agua de la piscina. Practique siempre una buena higiene.
- Las piscinas se deterioran. Mantenga correctamente su piscina. Un deterioro excesivo o acelerado puede llevar a que la piscina se rompa. Si se rompe la piscina puede liberar grandes cantidades de agua.
- Piscina para uso exterior.
- Vacíe el producto completamente cuando no vaya a utilizarlo por un largo periodo de tiempo y guárdelo en lugar seguro de manera que no pueda mojarse con la lluvia o de ningún otro modo, evitando así mismo que pudiera salir volando en caso de fuertes vientos. Consulte las instrucciones de almacenamiento.
- Mientras se utilice la piscina, usted necesitará utilizar la bomba de filtro para asegurarse de que hay al menos un cambio completo del agua cada día. Consulte el manual de la bomba para calcular los horarios de uso necesarios.

**LAS VALLAS PROTECTORES DE LA PISCINA Y EL COBERTOR NO SUSTITUYE EN NINGÚN MOMENTO LA SUPERVISIÓN CONTINUADA DE UN ADULTO. LA ALBERCA NO INCLUYE SALVAVIDAS, POR TANTO, LOS ADULTOS ESTÁN OBLIGADOS A ACTUAR COMO VIGILANTES Y PROTEGER LAS VIDAS DE TODOS, CON ESPECIAL ATENCIÓN A MENORES.**

**EN CASO DE NO SEGUIR ESTAS ADVERTENCIAS PUEDEN CAUSARSE DAÑOS EN LA PROPIEDAD, DAÑOS SERIOS E INCLUSO MUERTE.**

### Advertencias:

Los propietarios de piscinas pueden necesitar cumplir con las leyes locales o estatales relacionadas con vallas de seguridad u otros requerimientos de seguridad. Contacte con las autoridades locales para cumplir con estas normas.

## NORMAS IMPORTANTES DE SEGURIDAD

Lea, comprenda y siga todas las instrucciones cuidadosamente antes de instalar y utilizar este producto. Estas advertencias, instrucciones y guías de seguridad hacen referencia a los riesgos más frecuentes en las actividades acuáticas, pero no cubren todos los riesgos y peligros posibles. Siempre utilizar la precaución y el sentido común para desarrollar actividades en el agua. Conserve para futuras referencias. El embalaje debe ser guardado para futura referencia después de haber leído con atención las advertencias que figuran en él. Ver el producto para advertencias adicionales.

### General

- Verificar regularmente los pins, tornillos y/o pasadores en busca de óxido, astillas o cualquier punta afilada, especialmente en las superficies de fácil acceso, para evitar daños y lesiones.

### Seguridad para los que no nadan

- En todo momento es necesaria una supervisión atenta, continua y activa, por parte de un adulto, a los nadadores más inexpertos y a los que no saben nadar (recuerde que niños menores de 5 años tienen un alto riesgo de ahogamiento).
- Designar un responsable adulto para vigilar la piscina durante todo el tiempo en el que esté en uso.
- Nadadores inexpertos o que no sepan nadar, deben utilizar equipos de protección individual mientras estén en la piscina.
- Retirar todos los juguetes del interior de la piscina o de sus inmediaciones cuando ésta no esté en uso, de modo que se evite que los niños se vean atraídos hacia la piscina.

### Medidas de seguridad

- Es recomendable instalar una barrera (y medidas de seguridad en puertas y ventanas, cuando la legislación lo pida) para prevenir el acceso no autorizado a la piscina.
- Barreras, cobertores, alarmas o equipos de seguridad similares son de gran ayuda, pero no sustituyen la supervisión continua y adecuada por parte de un adulto.

### Equipos de seguridad

- Es recomendable mantener en el recinto de la piscina equipos de salvamento (ej. Salvavidas).
- Mantener un teléfono operativo y una lista con teléfonos de emergencia cerca de la piscina.

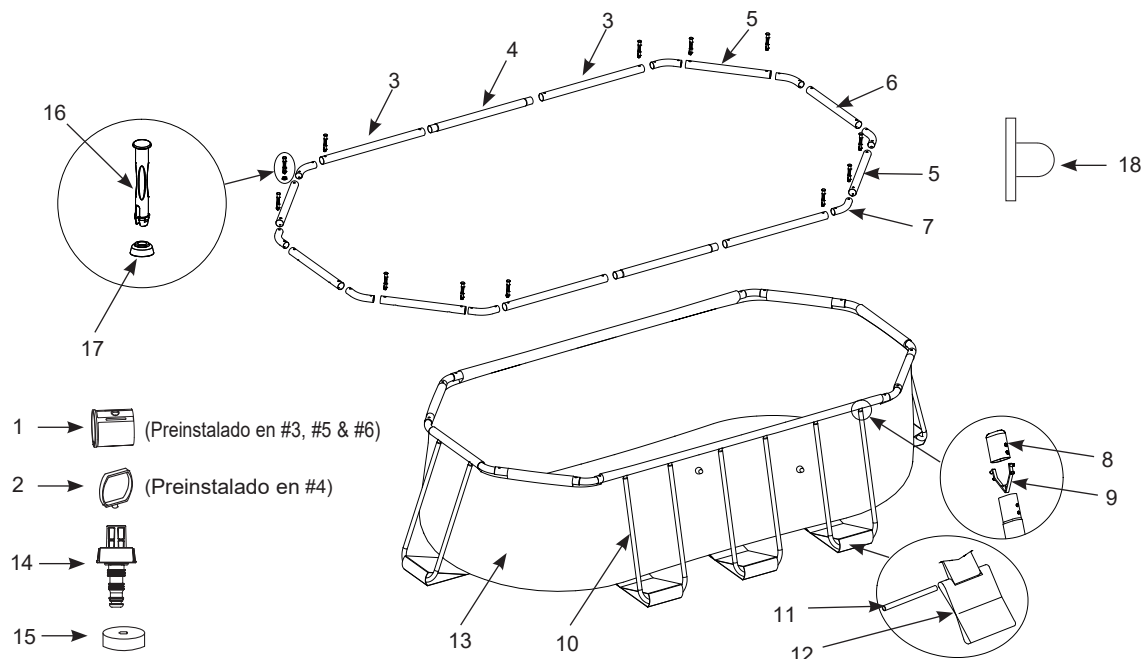
### Utilización segura de la piscina

- Animar a todos los usuarios, especialmente los niños, a aprender a nadar.
- Aprender los Primeros Socorros (Reanimación Cardiopulmonar – CPR) y mantener los conocimientos actualizados. Esto puede salvar vidas en diversos momentos de emergencia.
- Informar a todos los usuarios, incluidos los niños, qué hacer en casos de emergencias.
- Nunca tirarse en aguas poco profundas. Esto puede resultar en lesiones graves o la muerte.
- No usar la piscina bajo los efectos del alcohol o medicamentos que puedan alterar la consciencia y afectar la seguridad.
- Retirar completamente los cobertores antes de utilizar la piscina.
- Proteger a los usuarios de las molestias y enfermedades causadas por mal tratamiento del agua practicando una buena limpieza e higiene en la piscina. Consultar las instrucciones de cuidado del agua en el manual de instrucciones.
- Almacenar productos químicos (ej. Productos para tratamiento, limpieza y desinfección del agua) fuera del alcance de los niños.
- Las escaleras removibles deben ser almacenadas en superficies horizontales.
- Observar y seguir las advertencias y señales de seguridad impresos en la parte exterior de la piscina.



## REFERENCIA DE PIEZAS (CONT.)

Antes de montar este producto, por favor, tómese unos minutos para chequear el contenido y familiarizarse con todas las piezas.



**Advertencia:** Los dibujos son solo para su referencia, pueden no reflejar el producto real y no son a escala.

PIEZA NO.	DESCRIPCION	157-1/2" x 78-3/4" x 48" (400 cm x 200 cm x 122 cm)		157-1/2" x 78-3/4" x 39-3/8" (400 cm x 200 cm x 100 cm)	
		CANTIDAD	REFERENCIA N°	CANTIDAD	REFERENCIA N°
1	INSERTO DE PLASTICO PARA TUBO VERTICAL	16	12795	16	12795
2	BOTÓN DEL MUELLE	4	10381	4	10381
3	TUBO HORIZONTAL (A) (INCLUIDA PIEZA DE PLÁSTICO PARA INSERTAR)	4	12747G	4	12747
4	TUBO HORIZONTAL (B) (INCLUYE BOTÓN DEL MUELLE)	2	12748G	2	12748
5	TUBO HORIZONTAL (C) (INCLUIDA PIEZA DE PLÁSTICO PARA INSERTAR)	4	13008G	4	13008
6	TUBO HORIZONTAL (D) (INCLUIDA PIEZA DE PLÁSTICO PARA INSERTAR)	2	12793G	2	12793
7	CODO	8	12794G	8	12794
8	TAPÓN DEL FINAL DEL SOPORTE EN FORMA DE U	16	10379	16	10379
9	DOBLE BOTÓN PARA EL CLIP DEL MUELLE	16	10382	16	10382
10	SOPORTE EN FORMA DE U (INCLUYE TAPÓN DEL FINAL DEL SOPORTE EN FORMA DE U & DOBLE BOTÓN PARA EL CLIP DEL MUELLE)	8	12570G	8	12167
11	BARRA DE CONEXIÓN	8	10383	8	10383
12	CORREA DE CONTENCIÓN	8	12217W	8	12217A
13	LONA PISCINA (INCLUYE TAPÓN DE LA VÁLVULA DE VACIADO)	1	13004W	1	12796
14	CONECTOR DE VACIADO	1	10201	1	10201
15	TAPÓN DE LA VÁLVULA DE VACIADO	2	11044	2	11044
16	PASADOR (CON 2 EXTRAS)	14	12136	14	12136
17	TOPES DE GOMA (CON 2 EXTRAS)	14	10648	14	10648
18	TAPON DE AGUJERO DEL COLADOR (CON 1 EXTRA)	3	10127	3	10127

## MONTAJE DE LA PISCINA

### MUY IMPORTANTE LA ELECCIÓN Y PREPARACIÓN DEL LUGAR DEL MONTAJE

#### ⚠ ADVERTENCIA

- La piscina debe estar en un lugar seguro, alejada de puertas, ventanas, con protección para evitar la entrada no supervisada a la piscina.
- Instalar vallas de protección para evitar el acceso a la piscina de niños pequeños y mascotas
- El no instalar la piscina en superficie plana con piso estable y nivelado y llenar con agua conforme a las siguientes instrucciones podría ocasionar el colapso de la piscina o posibilidad de que una persona utilizando la piscina podría ser arrastrada / lanzada fuera, pudiendo ocasionar lesiones graves o daños materiales.
- Riesgo de descarga eléctrica. Conecte la depuradora a la red eléctrica con toma de tierra. Para reducir el riesgo de una descarga eléctrica, no use un cable de extensión, medidor de tiempo, adaptadores de enchufes o convertidores de enchufe, para conectar el aparato. Conecte al enchufe mas cercano. Prestar especial atención donde va a instalar la depuradora para evitar daños con el cortacésped, cortadores u otro tipo de herramientas. Para más información consulte el Manual de Instrucciones.
- Riesgo de lesiones corporales graves: no intente montar el spa cuando haga mucho viento.

#### Escoja una zona donde instalar la piscina teniendo en cuenta:

1. El sitio dónde se monte piscina debe ser **totalmente plano y nivelado**. No instalar la piscina en una zona con desnivel o con inclinación.
2. El suelo debe ser compacto y suficientemente fuerte para soportar la presión del peso de la piscina llena. No monte la piscina en suelos blandos, de barro, de arena o poco compactos.
3. No montar la piscina en un altillo, terraza o plataforma, que puede hundirse debido al peso de la piscina cuando esté llena.
4. La piscina requiere como mínimo 1.5 - 2 metro y medio por cada lado de objetos que los niños puedan utilizar para acceder a la piscina.
5. EL césped que esté debajo de la piscina sufrirá daños. El agua puede dañar la vegetación.
6. Si el suelo no es de hormigón (es decir, es de asfalto, césped o tierra) debe colocar un trozo de madera tratada a presión, con unas dimensiones de 15" x 15" x 1,2" (38 x 38 x 3 cm), debajo de cada apoyo con forma de U e instalarlas al **ras** o al nivel del suelo. De manera alternativa, puede usar almohadillas de acero o placas de hormigón reforzado. Consulte a su proveedor de piscinas para que le aconseje sobre las almohadillas.

**ADVERTENCIA:** No use almohadillas o placas de apoyo sobre superficies resbaladizas o lisas ya que el soporte lateral con forma de U se deslizará hacia afuera causando daños a la piscina y anulará la garantía.

7. Eliminar todas las hierbas agresivas primero. Hay diferentes tipos de césped que puede dañar el liner como Bermuda. Hierba que pueda crecer atravesando el liner no se considera defecto de fabricación y no queda cubierto por la garantía.
8. El área donde vaya a ser montada la piscina debe ser elegida de modo que sea fácil el proceso de vaciado después de cada utilización y/o para que pueda ser guardada por largos períodos.

## MONTAJE DE LA PISCINA (cont.)

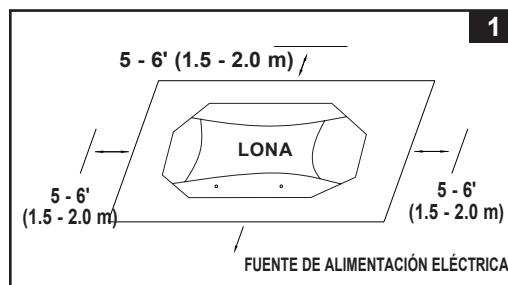
Puede haber adquirido esta piscina con la depuradora Krystal Clear™. La depuradora tiene su propio set de instrucciones de montaje y se debe montar después de instalar la piscina.

Tiempo estimado de montaje 60-90 min. (Tenga en cuenta que el tiempo de montaje es aproximado y dependerá de la habilidad y experiencia de cada persona)

- Primero busque un lugar plano y nivelado, limpio de piedras, ramas y otros objetos punzantes que puedan perforar la lona de la piscina.
  - Abra la caja que contiene el liner, los codos, las patas, etc., con mucho cuidado ya que esta caja se puede usar para almacenar la piscina durante los meses de invierno o cuando no la utilice.

- Extienda una tela de recubrimiento (no incluida) sobre el área despejada. Retire la lona (13) de la caja, despléguela por el tapiz con las válvulas hacia la zona de vaciado. Coloque la válvula de drenaje alejada de la casa. Deje que se caliente un poco con el sol. Este calentamiento hará que su instalación sea más fácil. Asegúrese de que la lona esté centrada encima de la tela. Recuerde situar la parte con las dos conexiones de mangueras cerca de la toma de la corriente eléctrica.

**IMPORTANTE: No arrastre la lona por el suelo, pueden producirse roturas en la misma u otros daños (vea el dibujo 1).**



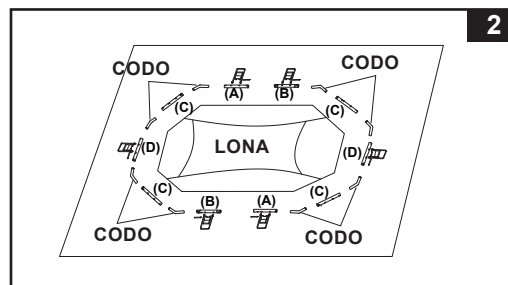
- Durante el montaje de la lona de la piscina, dirija la conexión de la manguera hacia el enchufe. El borde exterior de la estructura de la piscina tiene que estar cerca de una conexión eléctrica para poder instalar la depuradora.

- Saque todos los componentes de la caja y colóquelos en el suelo donde va a montar la piscina. Compruebe y asegure que están todos los componentes listados (vea el dibujo 2).

**IMPORTANTE: No comience el montaje si falta alguna pieza. Si comprueba que le falta alguna pongase en contacto con el servicio de Atención al Cliente que figura al final de este manual.**

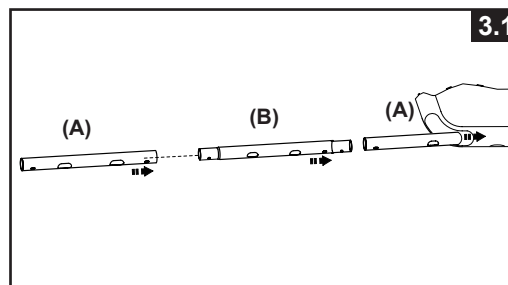
Después de haber contado todas las piezas, quítelas de encima de la lona para una mejor instalación.

**ADVERTENCIA: Espolvoree con polvos de talco las barras horizontales antes de deslizarlas dentro de las fundas del revestimiento de la piscina. Esto hará más fácil sacarlas del revestimiento a la hora de desarmar la piscina.**



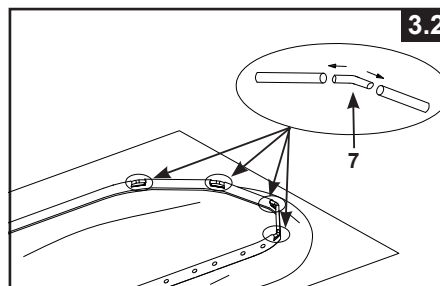
- Asegúrese de que la lona está bien extendida sobre la tela. Comenzar con uno de los lados, deslice la barra A dentro de los agujeros que encontrará en cada esquina. Continúe con el otro lado B introduciendo la barra A y la otra A en B (vea el dibujo 3.1).

Mantenga los agujeros metálicos del tubo alineados con los agujeros en blanco de la parte de la lona con aberturas. Continúe insertando las barras "A-B-A" en los agujeros de las barras.



## MONTAJE DE LA PISCINA (cont.)

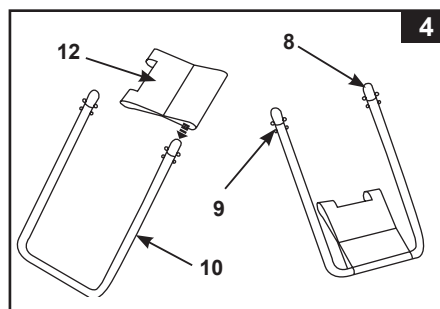
- Empiece la combinación de juntas de esquina por los lados cortos de la piscina insertando primero una junta de esquina (7) en el larguero "A". A continuación, deslice el larguero "D" en la abertura de la funda pasándolo sobre la junta de esquina (7). Siga insertando todas las juntas de esquina y los largueros "D" (vea el dibujo 3.2). (Asegurase de que los agujeros de los tubos están alineados con las aberturas en la lona).



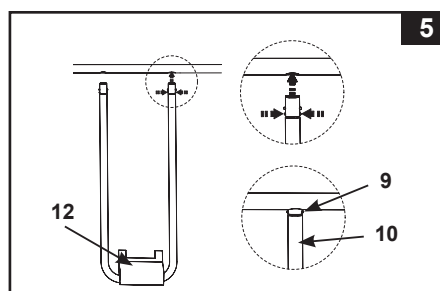
- La última conexión podría resultar difícil de completar. Sin embargo, puede hacerla si levanta al mismo tiempo la última junta y el poste unas 2 pulgadas (5 cm). Ahora inserte la junta de esquina en el poste mientras desciende las piezas en su lugar. La junta de esquina se deslizará fácilmente en el poste.

4. Deslice la tira de sujeción (12) sobre el soporte en forma de U más grande. Repita esta acción para todas las correas y soportes en forma de U (vea el dibujo 4).

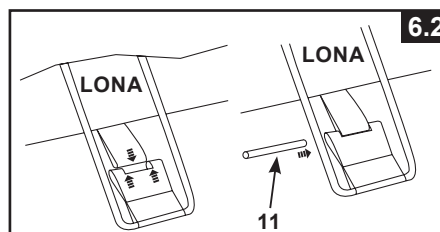
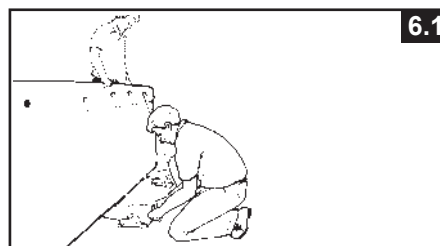
**IMPORTANTE: La lona debe permanecer plana en el suelo durante el próximo paso. N°5. Por ello es por lo que se requiere tanto espacio alrededor de la piscina antes de llenarla.**



5. La parte de arriba de los soportes en forma de U tienen un botón con un doble muelle que está preinstalado. Introduzca los soportes de los lados en A-B-A & D en los agujeros de las barras apretando el botón de abajo con los dedos hacia dentro. Apretar el botón permite que el soporte entre dentro del tubo. Una vez que el soporte en forma de U está dentro del tubo, suelte los dedos, dejando así que el soporte se ajuste en su sitio. Repita este proceso para todos los soportes laterales en forma de U (vea el dibujo 5).

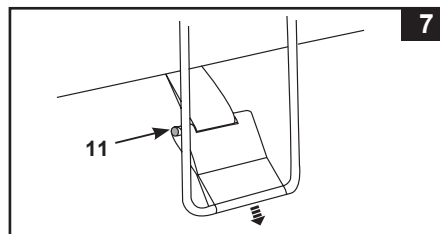


6. Con una persona de pie dentro de la piscina, levantar una esquina, inserte la barra conectora (11) dentro de las aberturas superpuestas, para conectar las correas de la lona a las hebillas. Repita la operación con la otra correa del revestimiento y correas de retención (vea los dibujos 6.1 y 6.2).



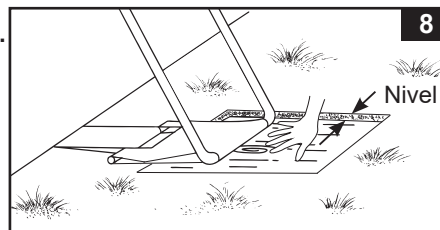
## MONTAJE DE LA PISCINA (cont.)

7. Tire de la parte de debajo de los soporte laterales hacia fuera en dirección contraria a la lona para que las correas queden tirantes. Repetir esto para todas las correas (vea el dibujo 7).



8. Si el suelo no es de cemento debe colocar una pieza de madera compacta de tamaño 15" x 15" x 1.2" debajo de cada pierna a ras de la superficie. Los soportes en forma de U deben colgarse en el centro de la pieza de madera compacta y en sentido perpendicular al de la beta de la madera para soportar la pierna de la piscina (vea el dibujo 8).

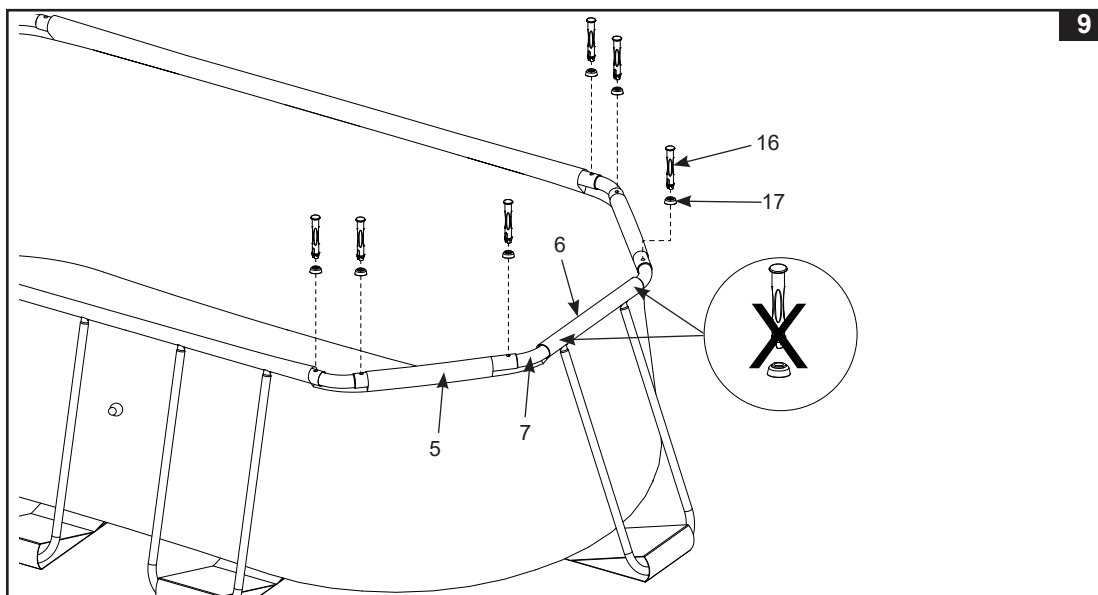
**ADVERTENCIA:** Compruebe que todas y cada una de las almohadillas de apoyo están empotradas y al ras del suelo y que no están simplemente colocadas sobre el suelo. No use almohadillas o placas de apoyo sobre superficies resbaladizas o lisas ya que el soporte lateral con forma de U se deslizará hacia afuera causando daños a la piscina y anulará la garantía.



9. Asegúrese de que la piscina se monte empezando por uno de los lados más cortos, inserte un pasador (16) a través de la junta (17) y conecte la unión de la esquina (7) primero con el travesaño horizontal, y después con el travesaño "C" (5). El travesaño central "D" (6) está diseñado para poderse mover por las uniones de las esquinas (7), no inserte ningún pasador en los orificios pretaladrados entre el travesaño central "D" (6) y las uniones de las esquinas (7). Repita este procedimiento en el otro lado más corto de la piscina.

Agite la piscina para asegurarse de que todas las uniones, las patas y los travesaños encajen unos con otros. Compruebe que todos los pasadores estén en la posición correcta, empujándolos hacia abajo a través de los orificios (vea el dibujo 9).

**IMPORTANTE:** El travesaño central "D" está diseñado para poderse mover por las uniones de las esquinas, y no se fija a dichas uniones. Esto permite que las paredes laterales de la piscina se desplacen hacia adentro o hacia afuera cuando la piscina está en uso.



10. Montaje de la escalera. La escalera viene con instrucciones de montaje separado dentro de la caja de la escalera.
11. Sitúe la escalera montada sobre uno de los lados con uno de los instaladores de la piscina entrando en la piscina para alisar todas las arrugas del fondo de la lona. Mientras que dentro de la piscina este instalador revisa las 2 válvulas de desagüe (en las esquinas) para asegurarse de que el tapón de desagüe está puesto en la válvula. Este instalador empujará todas las esquinas de dentro hacia fuera.

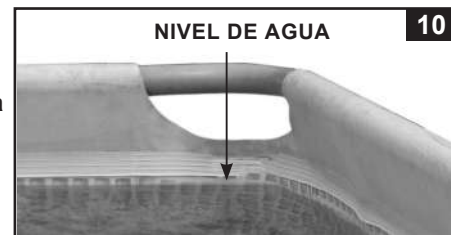
## MONTAJE DE LA PISCINA (cont.)

12. Antes de empezar a llenar la piscina, asegurese de que los tapones de las valvulas de vacio esten ajustados perfectamente para evitar escape de agua. Llene la piscina no mas de una pulgada, y asegurese que el suelo esta completamente plano y nivelado. Verifique también que todas las juntas de esquina (7) están bien insertadas en los largueros antes de seguir llenando la piscina con agua.

**IMPORTANTE:** Si el agua de la piscina se va hacia un lado, eso quiere decir que la piscina no está nivelada. Instalar una piscina en un área desnivelada puede provocar la inclinación de la piscina causando roturas o abultamientos en las paredes de dicha piscina. Si la piscina no está completamente nivelada, deberá vaciar la piscina, nivelar el área y volver a llenar la piscina.

Alise las arrugas restante (desde dentro de la piscina) allí donde el suelo de la piscina y los laterales se junten, o (desde fuera de la piscina) alcance el suelo de la piscina y tire hacia fuera. Si es la tela de debajo de la piscina es la que cause las arrugas, ayudese de dos personas tirando de cada lado de la piscina para eliminar las arrugas.

13. El agua deberá llenarse justo hasta abajo de la línea del manguito soldado (vea el dibujo 10).  
**NOTA:** Las paredes laterales de la piscina y la estructura de bastidor se inclinarán hacia el interior después de llenarla con agua hasta el nivel recomendado. No se preocupe por la inclinación interior de las paredes laterales, ya que se sirve para acomodar el movimiento del agua y la presión cuando la piscina está en uso.



## IMPORTANTE

Antes de permitir el uso de la piscina comente con su familia o visitas las normas que va a establecer para el uso y seguridad de la piscina.

## SEGURIDAD ACUÁTICA

Recrearse en el agua es divertido y terapéutico. Aunque envuelve riesgos inherentes de daños e incluso la muerte. Para reducir el riesgo de daños o lesiones, lea y siga todas las advertencias e instrucciones del producto y del embalaje. Recuerde que aunque las instrucciones de seguridad y las advertencias del producto mencionan los riesgos más comunes de la diversión en el agua, no cubren ni mencionan todos los riesgos y/o peligros.

Para una protección adicional, familiarícese Usted mismo con las siguientes instrucciones, así como con las instrucciones reconocidas nacionalmente por Organizaciones de Seguridad:

- Exija una constante vigilancia. Un adulto competente debe ser designado como "salvavidas" o guardián del agua, especialmente cuando los niños están en la piscina o próximos a ésta.
- Aprenda a nadar.
- Dedique tiempo a aprender primeros auxilios.
- Enseñe a las personas que esten designadas para supervisar los usuarios de la piscina sobre los peligros potenciales así como el uso de dispositivos de protección, tales como puertas cerradas, barreras, etc.
- Instruya a todos los usuarios de la piscina, incluidos los niños, como actuar en caso de emergencia.
- Utilice siempre el sentido común y un buen juicio cuando esté disfrutando de alguna actividad en el agua.
- Supervisión, supervisión y supervisión.

## MANTENIMIENTO DE LA PISCINA & PRODUCTOS QUÍMICOS

### ⚠ ADVERTENCIA

#### RECUERDE

- Proteja a los ocupantes de la piscina de enfermedades o contagios a través del agua, manteniéndola siempre limpia. No tragar el agua de la piscina. Practique siempre una buena higiene.
- Mantenga su piscina limpia y clara. El fondo de la piscina debe estar visible todo el tiempo desde fuera de las vallas protectoras.
- Mantenga a los niños lejos del cobertor de la piscina para evitar ahogamientos, enredos u otros daños más serios.

#### Mantenimiento del agua

Mantener adecuadamente el agua de la piscina es el factor más importante para alargar la vida y el aspecto de la lona de su piscina, así como asegurar un agua limpia, clara, segura y sana. Es importante controlar bien el agua. Visite al especialista en Químicos para que le suministre el cloro, los kits de control, y los procedimientos. Lea y siga las instrucciones escritas del Fabricante de Químicos.

1. No deje que el cloro entre en contacto con la lona antes de que se haya disuelto totalmente. Debe disolver el cloro en polvo o en pastillas en un cubo de agua. También el cloro líquido si se echa en varios sitios de la piscina se debe remover inmediatamente mezclándolo con el agua de la piscina.
2. No mezcle nunca distintos productos químicos, mejor añádalos al agua separadamente y que circulen a lo largo de toda la piscina antes de añadir más productos químicos.
3. Intex tiene un recogehojas y un limpiafondos para ayudarle a mantener limpia el agua. Consulte a su proveedor sobre estos accesorios.
4. No utilice agua a presión para limpiar la piscina.

## RESOLUCIÓN DE PROBLEMAS

PROBLEMA	DESCRIPCIÓN	CAUSA	REMEDIO
<b>ALGAS</b>	<ul style="list-style-type: none"> <li>• Agua verdosa.</li> <li>• Manchas negras o verdes en la lona.</li> <li>• Lona está resbaladiza y/o tiene un mal olor.</li> </ul>	<ul style="list-style-type: none"> <li>• Necesita ajustar el cloro y el nivel de pH.</li> </ul>	<ul style="list-style-type: none"> <li>• Tratamiento de choque con Súper cloro. Corregir el nivel de pH recomendado por su tienda.</li> <li>• Pasar limpiafondos de piscina.</li> <li>• Mantener el nivel de cloro adecuado.</li> </ul>
<b>AGUA COLOREADA</b>	<ul style="list-style-type: none"> <li>• Agua se vuelve azul, marrón o negra en el primer tratamiento de cloro.</li> </ul>	<ul style="list-style-type: none"> <li>• Cobre, acero o magnesio en el agua se oxida por el cloro añadido.</li> </ul>	<ul style="list-style-type: none"> <li>• Ajustar el pH al nivel recomendado.</li> <li>• Poner la depuradora hasta que el agua se ponga clara.</li> <li>• Reemplazar el cartucho frecuentemente.</li> </ul>
<b>PARTÍCULAS/ CAPA SUSPENDIDA EN EL AGUA</b>	<ul style="list-style-type: none"> <li>• El agua está tibia y lechosa.</li> </ul>	<ul style="list-style-type: none"> <li>• Agua dura causada por un nivel de pH muy alto.</li> <li>• Contenido de cloro muy bajo.</li> <li>• Materia extraña en el agua.</li> </ul>	<ul style="list-style-type: none"> <li>• pH correcto. Compruebe con su distribuidor para un tratamiento del agua.</li> <li>• Compruebe que tenga un nivel de cloro adecuado.</li> <li>• Limpie o cambie su depuradora o cartucho.</li> </ul>
<b>CRÓNICO NIVEL BAJO DE AGUA</b>	<ul style="list-style-type: none"> <li>• El agua está más baja que el día anterior.</li> </ul>	<ul style="list-style-type: none"> <li>• Agujero o raja en la lona o en las mangueras.</li> <li>• Apretar abrazaderas.</li> </ul>	<ul style="list-style-type: none"> <li>• Reparar con un parche. Apretar todas los tapones y abrazaderas en las mangueras.</li> <li>• Sustituya las mangueras.</li> </ul>
<b>SEDIMENTOS EN EL FONDO DE LA PISCINA</b>	<ul style="list-style-type: none"> <li>• Suciedad o arena en el fondo de la piscina.</li> </ul>	<ul style="list-style-type: none"> <li>• Uso inadecuado, no limpiarse al entrar o salir de la piscina.</li> </ul>	<ul style="list-style-type: none"> <li>• Utilizar el limpiafondos de Intex.</li> </ul>
<b>SUCIEDAD EN LA SUPERFICIE</b>	<ul style="list-style-type: none"> <li>• Hojas, insectos, etc...en la superficie.</li> </ul>	<ul style="list-style-type: none"> <li>• Piscina situada muy cerca de árboles.</li> </ul>	<ul style="list-style-type: none"> <li>• Utilizar limpie superficie de Intex.</li> </ul>

## MANTENIMIENTO DE LA PISCINA & DESAGÜE



### CUIDADO

SIGA SIEMPRE LAS INSTRUCCIONES DEL FABRICANTE DE PRODUCTOS QUÍMICOS Y LOS AVISOS SOBRE SALUD Y RIESGOS.

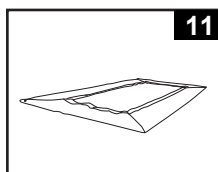
**No ponga productos químicos mientras la piscina esté ocupada. Se le puede irritar la piel o los ojos.** Soluciones de cloro concentrado puede dañar la lona de la piscina. En ningún caso el comprador o cualquier otra parte implicada se puede reclamar a Intex Development Co. Ltd., sus empresas asociadas, agentes autorizados, centros de servicio, distribuidores o empleados los gastos derivados de la pérdida de agua, productos químicos o daños causados por el agua. **Tenga cartuchos de repuesto. Cambie los cartuchos cada dos semanas. Recomendamos que use las depuradoras de Intex Krystal Clear™ con todas nuestras piscinas.**

**LLUVIA EXCESIVA:** Para evitar daños a la piscina y llenado excesivo, de inmediato drene este agua de lluvia que pueda causar que el nivel de agua sea mayor que el máximo permitido.

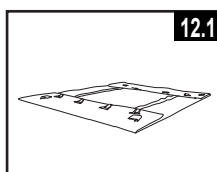
**Cómo vaciar y guardar su piscina para almacenarla**

**NOTA:** Esta piscina tiene instaladas válvulas de drenaje en 2 esquinas. Conecte la manguera de jardín a la válvula de la esquina que dirigirá el agua al lugar adecuado elegido.

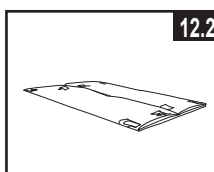
1. Busque las normas locales sobre vaciar el agua de su piscina.
2. Compruebe que el conector de drenaje de la piscina está en su sitio.
3. Quite el tapón de la válvula de vaciado en la pared externa de la piscina.
4. Conecte el extremo hembra de la manguera al adaptador de manguera patentado.
5. Sitúe el extremo de la manguera dónde se pueda vaciar el agua con seguridad.
6. Conecte el adaptador de manguera a la válvula de drenaje. **NOTA: El adaptador empujará el conector de drenaje dentro de la piscina y el agua empezará a salir inmediatamente.**
7. Cuando el agua deja de drenar, comenciar a levantar la piscina desde el lado opuesto a salida de drenaje, llevando los restos de agua y vaciado de la piscina completamente.
8. Desconecte la manguera y el adaptador cuando termine.
9. Coloque el tapón dentro de la válvula para guardarla.
10. Póngale la tapa por fuera de la piscina.
11. Invierta las instrucciones de montaje para desmontar la piscina, y quite todos los tubos.
12. Compruebe que la bañera y todas sus partes están completamente secas antes de guardarla. Seque el tapiz al sol completamente antes de plegarlo (**vea el dibujo 11**). Espolvoree talcos de polvo para evitar que el liner se pegue y absorba el agua restante.
13. Dóblela en cuadrado. Empezando por un lado, dóblela en dos, y luego repítalo de nuevo (**vea los dibujos 12.1 y 12.2**).
14. Cuando la ha doblado dos veces, dóblela como si cerrase un libro (**vea los dibujos 13.1 y 13.2**).
15. Doble la piscina en dos por la mitad (**vea el dibujo 14**).
16. Doble una parte sobre la otra como un libro cerrado evitando arrugas y bien estirado (**vea el dibujo 15**).
17. Guarde la piscina en una zona seca y con una temperatura entre 0° y 40°.
18. Puede utilizar la caja original para guardarla.



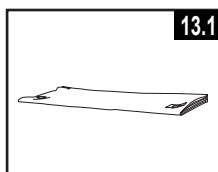
11



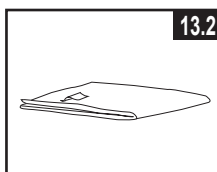
12.1



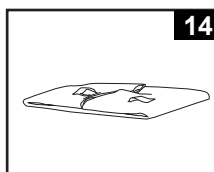
12.2



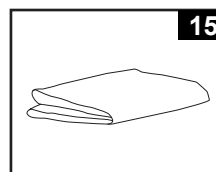
13.1



13.2



14



15



## PREPARATIVOS DE INVIERNO

### Guarde la piscina durante el invierno

Su piscina puede ser vaciada y guardada fácilmente durante el invierno. Debe drenar, desmontar y almacenar adecuadamente la piscina cuando la temperatura caiga por debajo de 5 grados Celsius (41 grados Fahrenheit) y así prevenir daños de hielo a la piscina y componentes relacionados. Daños ocasionados por el hielo pueden producir una rotura repentina del liner o el desplome de la piscina. Consulte como desaguar la piscina.

Si las temperaturas en su región no caen por debajo de 5 grados Celsius (41 grados Fahrenheit) y decide dejar su piscina montada, prepárela de la siguiente manera:

1. Limpiar su piscina (Si es una Easy Set asegúrese que el aro superior esté completamente hinchado).
2. Retire el skimmer (si lo tiene) o cualquier accesorio que esté conectado al colador. Sustituya si es necesario las rejillas de los coladores. Asegúrese de limpiar todas las piezas y que antes de guardarlas estén completamente secas.
3. Coloque los sombreritos negros desde dentro de la piscina, para las piscinas de 488 cm e inferiores. Para piscina de 518 cm y superiores cierre la válvula de salida del agua.
4. Retire la escalera (si tiene) y guárdela en un lugar seguro, asegúrese que la escalera está completamente seca antes de guardarla.
5. Retire las mangueras conectadas a la depuradora, séquelas bien.
6. Añada químicos apropiados para el invierno. Consulte con su proveedor local de productos químicos ya que cada zona puede variar.
7. Cubra la piscina con un cobertor de Intex. **IMPORTANTE: EL COBERTOR DE INTEX NO ES UN COBERTOR DE SEGURIDAD.**
8. Limpie y seque completamente la depuradora, las mangueras. Retire el cartucho y tírelo si está viejo. Tenga uno nuevo de repuesto para la próxima temporada.
9. Guarde la depuradora y piezas en un lugar seco, preferiblemente con una temperatura entre 0° y 40°.

## GARANTÍA LIMITADA

Su piscina Intex ha sido fabricada con los materiales de más alta calidad y utilizando mano de obra calificada. Todos los productos Intex han sido cuidadosamente examinados para comprobar que no tienen ningún defecto antes de salir de la fábrica. La Garantía Limitada sólo se aplica a las piscinas Intex.

Esa garantía limitada es un anexo, y no un sustituto para sus derechos y recursos legales. En la medida en que esta garantía sea incompatible con sus términos legales, tales términos tienen prioridad. Por ejemplo, la ley de consumidores de la Unión Europea establece derechos de garantía adicionales a los cubiertos por esta garantía limitada: para información sobre la ley de consumidores, por favor, visite la página del Centro de la Comunidad Europea en [http://ec.europa.eu/consumers/ecc/contact\\_en/htm](http://ec.europa.eu/consumers/ecc/contact_en/htm).

La cláusula de garantía sólo concierne al comprador y no es transferible. Esta Garantía Limitada es válida para el período que se indica a continuación desde la fecha de la compra inicial. Conserve su ticket de compra junto con este manual para probar de esta manera su compra en caso de que le sea requerido y siempre debe acompañar a las reclamaciones en garantía en caso contrario será invalidada dicha garantía.

Garantía de la lona de piscina y del armazón - 1 año

Si el defecto de fabricación se encuentra dentro de los plazos que se señalan anteriormente, por favor, póngase en contacto con el correspondiente Centro de Servicio de Intex que aparece en la hoja "Centros Autorizados de Atención". Si el ítem estuviera cubierto por lo previsto en la garantía, el artículo será reparado o sustituido, por un artículo igual o semejante (por elección de Intex) sin ningún coste para Usted.

Cualquier otra garantía, y cualquier otro derecho legal de su país, no implican garantías adicionales. En la medida del posible en su país, en ningún caso Intex será responsable por Usted o cualquier tercera parte por los daños directos o indirectos causados fuera del ámbito de utilización de su piscina Intex, o de las acciones de Intex o sus agentes y empleados (incluyendo la fabricación del producto). Alcuni paesi o giurisdizioni non consentono l'esclusione o la limitazione dei danni incidentali o consequenziali, pertanto la suddetta limitazione o esclusione potrebbe non applicarsi a voi.

Usted debe ser consciente que esta garantía limitada no es aplicable a las siguientes circunstancias:

- Si el piscina Intex fuera objeto de negligencia, utilización o aplicación anormal, accidente, operación inadecuada, arrastre o remolque, mantenimiento o almacenaje inapropiados.
- Si el piscina Intex es objeto de defecto en circunstancias que se encuentren fuera del alcance de Intex, incluyendo, pero no limitado a pinchazos, cortes, arrastrones, uso y desgaste comunes y daños causados por exposición a fuego, inundaciones, congelación, lluvias o fuerzas externas de la naturaleza;
- A las partes y componentes no vendidos por Intex; y/o
- A alteraciones, reparaciones o desmontaje no autorizados del piscina Intex por cualquier persona ajena al Servicio Técnico de Intex.

Los gastos asociados a la pérdida de agua de la piscina, utilización de productos químicos o daños causados por fuga de agua no están cubiertos por esta Garantía. Las lesiones o daños a cualquier propiedad o persona no están cubiertos por esta Garantía.

Leer el manual del propietario con atención y seguir todas las instrucciones referentes a la operación y mantenimiento apropiados de su piscina Intex. Revise siempre su producto antes de su utilización. Su garantía limitada puede invalidarse si no sigue las instrucciones.

**WICHTIGE  
SICHERHEITSHINWEISE**  
Lesen Sie die Anleitung, bevor Sie mit der  
Installation des Produktes beginnen, und  
befolgen Sie die Anweisung genau.  
Für späteres Nachschlagen  
aufbewahren.

## PRISM FRAME™ OVALER PREMIUM-POOL

157-1/2" x 78-3/4" x 48" (400 cm x 200 cm x 122 cm)

157-1/2" x 78-3/4" x 39-3/8" (400 cm x 200 cm x 100 cm)



Symbolfoto. Zubehör wird mit dem Pool nicht mitgeliefert.

Ist der Pool nicht herrlich? Wenn Sie Lust verspüren, noch andere Intex-Produkte auszuprobieren, wie unser Pool-Zubehör oder die Luftbetten, sowie die Spielwaren oder die Boote .... , dann besuchen Sie uns doch einfach auf unserer Homepage unter [www.steinbach.at](http://www.steinbach.at). Unsere Produkte sind auch im Fachhandel erhältlich.

Wegen der Politik der kontinuierlichen Produktverbesserung behält sich INTEX das Recht vor, Daten, Erscheinungsbilder oder Updates (Produktspezifikationen) jederzeit ohne Vorankündigung zu ändern!

**INTEX**®

©2020 Intex Marketing Ltd. - Intex Development Co. Ltd. - Intex Recreation Corp. All rights reserved/Tous droits réservés/Todos los derechos reservados/Alle Rechte vorbehalten.  
Printed in China/Imprimé en Chine/Impreso en China/Gedruckt in China.

©™ Trademarks used in some countries of the world under license from/©™ Marques utilisées dans certains pays sous licence de/  
Marcas registradas utilizadas en algunos países del mundo bajo licencia de/Warenzeichen verwendet in einigen Ländern der Welt in  
Lizenz von/Intex Marketing Ltd. to/à/a/an Intex Development Co. Ltd., G.P.O Box 28829, Hong Kong & Intex Recreation Corp., P.O.  
Box 1440, Long Beach, CA 90801 • Distributed in the European Union by/Distribué dans l'Union Européenne par/Distribuido en la unión  
Europea por/Vertrieb in der Europäischen Union durch/Intex Trading B.V., Venneveld 9, 4705 RR Roosendaal – The Netherlands  
[www.intexcorp.com](http://www.intexcorp.com)

## INHALTSVERZEICHNIS

<b>Warnung / Wichtige Sicherheitsvorschriften.....</b>	<b>3-4</b>
<b>Teilerferenz.....</b>	<b>5</b>
<b>Aufbauanleitung.....</b>	<b>6-10</b>
<b>Generelle Sicherheitshinweise.....</b>	<b>10</b>
<b>Poolinstandhaltung und Poolchemie.....</b>	<b>11</b>
<b>Problemlösung.....</b>	<b>11</b>
<b>Poolinstandhaltung &amp; Abfluss.....</b>	<b>12</b>
<b>Wintervorbereitungen.....</b>	<b>13</b>
<b>Garantie.....</b>	<b>14</b>

### **Einleitung:**

*Wir freuen uns, dass Sie sich für einen Intex-Pool entschieden haben. Nehmen Sie sich bitte ein paar Minuten Zeit um diese Aufbauanleitung zu lesen, bevor Sie mit dem Aufstellen des Pools beginnen. Dadurch bekommen Sie die nötige Information um die Lebensdauer des Pools zu verlängern, sowie Sicherheit und Badevergnügen zu garantieren. Zum Aufstellen werden mindestens 2-4 Personen benötigt, es geht natürlich schneller, wenn noch jemand mithilft.*

*Für die Montage ist kein Werkzeug erforderlich.*

# WICHTIGE SICHERHEITSVORSCHRIFTEN

Lesen und befolgen Sie alle Anweisungen, bevor Sie das Produkt in Betrieb nehmen!

## ⚠️ WARNUNG

- **Ständige, kompetente Aufsicht von Kindern und Menschen mit Behinderung durch Erwachsene ist wichtig.**
- Treffen Sie Sicherheitsmaßnahmen, damit es zu keinem unerwünschten Benützen des Pools kommt.
- Treffen Sie Sicherheitsvorkehrungen um Kinder und Haustiere zu schützen.
- Pool und Poolzubehör sollen nur von Erwachsenen auf- und abgebaut werden.
- Nie in den Pool springen und nicht tauchen.
- Um einen sicheren Aufbau zu garantieren, stellen Sie den Pool auf einem sicheren, kompakten Untergrund auf. Ansonsten kann es passieren, dass der Pool zusammenklappt und eine sich im Pool befindende Person aus dem Pool „geschwemmt“ und verletzt wird.
- Nicht anlehnen oder Druck auf den aufblasbaren Ring ausüben, um Verletzungen des Ringes oder ein Ausfließen des Wassers zu verhindern. Erlauben Sie niemandem, auf den Seiten des Pools zu sitzen bzw. hinaufzuklettern.
- Bitte entfernen Sie alle Wasserspielzeuge im und rund um den Pool, wenn er nicht benutzt wird, da solche Spielzeuge kleine Kinder anziehen.
- Lassen Sie Spielzeug, Sessel, Tische oder andere Kletterhilfen für Kinder mindestens 122 cm vom Pool entfernt.
- Achten Sie darauf, dass sich die Sicherheitsausrüstung beim Pool sowie die Notrufnummern beim nächsten Telefon befinden. Beispiele für Rettungsausrüstung: Von der Küstenwache genehmigte Ringboje mit Seil, eine mindestens 366 cm lange Rettungsstange.
- Schwimmen Sie niemals alleine und erlauben Sie das auch nie jemand anderen.
- Halten Sie Ihren Pool sauber und rein. Von Außen muss der Poolboden immer sichtbar sein.
- Wenn Sie in der Nacht Ihren Pool benützen wollen, achten Sie darauf, dass alle Warnhinweise, die Leiter, der Poolboden und die Umgebung genügend beleuchtet sind.
- Unter Einfluss von Alkohol oder Drogen niemals den Pool benutzen!
- Achtung: Halten Sie Kinder vom bedeckten Pool fern um zu verhindern, dass sich diese in der Abdeckplane verwickeln und so ertrinken oder sich schwer Verletzen können.
- Abdeckplanken müssen vor der Poolbenützung vollständig entfernt werden. Achten Sie darauf, dass sich keine Kinder und Erwachsenen unter der Plane befinden, da diese nicht gesehen werden können.
- Bitte den Pool nicht zudecken, wenn er benutzt wird.
- Halten Sie den Bereich rund um den Pool sauber, damit man Verletzungen, die durch Ausrutschen oder Hinfallen verursacht werden, vorbeugen kann.
- Halten Sie das Wasser sauber, so schützen Sie alle Benutzer des Pools vor Krankheiten.
- Der Pool ist ein Gebrauchsobjekt. Achten Sie auf die richtige Wartung Ihres Pools. Oft kann eine übermäßige oder schnell voranschreitende Verschlechterung der Wasserqualität dem Pool schaden. In Folge dessen kann es passieren, dass große Mengen Wasser vom Pool auslaufen.
- Dieser Pool ist nur für die Benützung im Freien geeignet.
- Alle INTEX-Pools dürfen nicht ohne Wasser darin stehen gelassen werden. Bewahren Sie das leere Schwimmbecken sicher auf, dass es kein Wasser aus Regen oder einer anderen Quelle sammelt und dass es nicht von starkem Wasser weggeblasen wird. Sehen Sie hierzu auch die Anleitung zur Lagerung.
- Um sicherzustellen, dass das Wasser mindestens einmal am Tag umgewälzt wird, wird empfohlen, die Filterpumpe auch während der Benützung des Schwimmbeckens einzuschalten. Lesen Sie genauere Hinweise zur Errechnung der benötigten Betriebsstunden der Filterpumpe in der Bedienungsanleitung nach.

**SICHERHEITSABSPERRUNGEN ODER POOLABDECKUNGEN KÖNNEN DIE KONTINUIERLICHE UND KOMPETENTE ÜBERWACHUNG DURCH ERWACHSENE NICHT ERSETZEN. ERWACHSENE HABEN DIE FUNKTION EINES BADEWÄRTERS ZU ÜBERNEHMEN UND AUF DIE SICHERHEIT DER BADENDEN ZU ACHTEN, INSBESONDERE AUF KINDER, DIE SICH IM POOL UND IN DER NÄHE DES Pools BEFINDEN.**

**BEI NICHTBEACHTEN DIESER WARNHINWEISE MUSS MAN MIT EINER BESCHÄDIGUNG VON GEGENSTÄNDEN, ERNSTHAFTEN VERLETZUNGEN ODER SOGAR MIT DEM TOD RECHNEN!**

### Hinweis:

Pooleigentümer sollten sich mit lokalen oder staatlichen Regeln und Gesetzen bezüglich Kindersicherheit, Sicherheitsbarrieren, Beleuchtung und anderen Sicherheitsvorkehrungen vertraut machen. Kunden können ihre lokale Informationsstelle kontaktieren um nähere Details zu erhalten.

## WICHTIGE SICHERHEITSVORSCHRIFTEN

Lesen und befolgen Sie alle Anweisungen, bevor Sie das Produkt in Betrieb nehmen! Diese Warnungen, Anleitungen und Sicherheitsrichtlinien behandeln einige allgemeine Gefahren bei der Erholung im Wasser, aber sie können nicht alle Gefahren und Risiken in allen Fällen abdecken. Seien Sie vorsichtig, der gesunde Menschenverstand und richtiges Einschätzungsvermögen während des Badens sind wichtig. Für späteres Nachschlagen aufbewahren. Die Verpackung muss aufmerksam gelesen und für späteres Nachschlagen aufbewahrt werden.

### Generell

- Überprüfen Sie Stifte, Bolzen und / oder Schrauben regelmäßig auf Rost und kontrollieren Sie, ob es Splitter oder scharfe Kanten gibt, um Verletzungen zu vermeiden (vor allem auf berührbaren Oberflächen).

### Sicherheit der Nichtschwimmer

- Die ununterbrochene, aktive und aufmerksame Beaufsichtigung von ungeübten Schwimmern und Nichtschwimmern durch einen kompetenten Erwachsenen ist ständig erforderlich (bedenkend, dass bei Kindern unter fünf Jahren die Ertrinkungsgefahr am größten ist).
- Bestimmen Sie einen kompetenten Erwachsenen, der den Pool bei jeder Benutzung beaufsichtigt.
- Ungeübte Schwimmer und Nichtschwimmer sollten eine persönliche Schutzausrüstung tragen, wenn sie den Pool benutzen.
- Wenn der Pool nicht benutzt wird oder unbeaufsichtigt ist, entfernen Sie alle Spielzeuge aus dem Swimming-Pool und seiner Umgebung, um die Aufmerksamkeit der Kinder nicht auf den Pool zu lenken.

### Sicherheitsvorrichtungen

- Es ist empfehlenswert, eine Absperrung zu montieren (und alle Türen und Fenster – wenn möglich – zu sichern) um unbefugten Zugang zum Swimming-Pool zu verhindern.
- Absperrungen, Pool-Abdeckungen, Pool-Alarm oder ähnliche Sicherheitseinrichtungen sind gute Hilfsmittel, aber sie sind kein Ersatz für ununterbrochene und kompetente Beaufsichtigung durch Erwachsene.

### Sicherheitsausrüstung

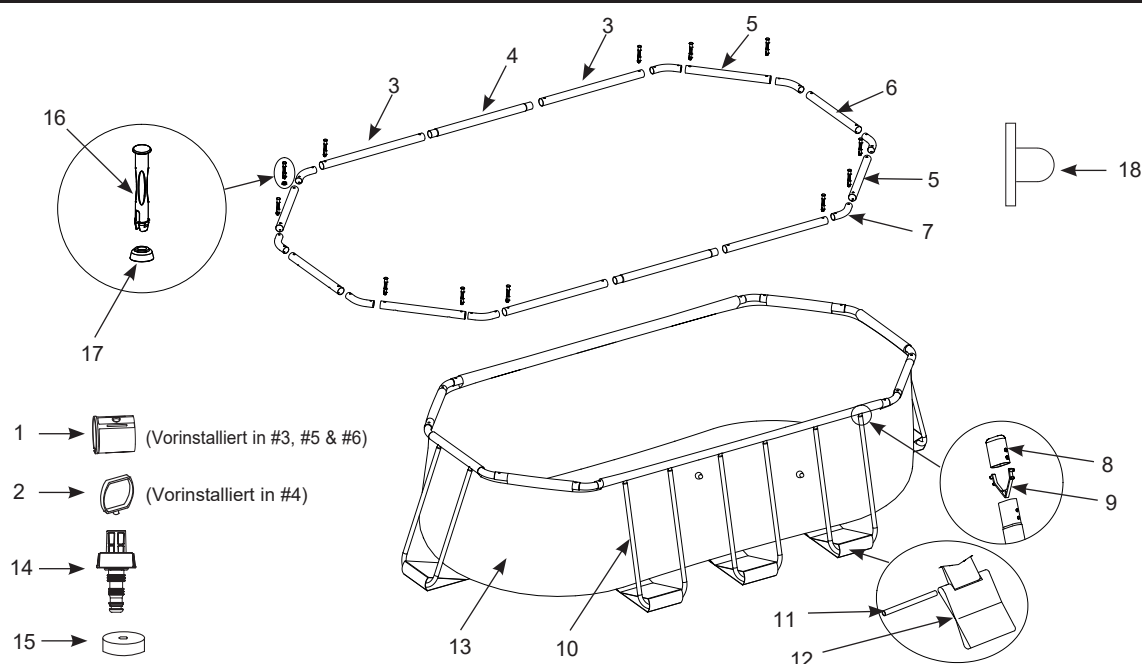
- Es ist empfehlenswert, Rettungsgeräte (zB Rettungsring) beim Pool aufzubewahren.
- Halten Sie ein funktionierendes Telefon und eine Liste mit Notrufnummern in der Nähe des Pools bereit.

### Sichere Benutzung des Pools

- Ermutigen Sie alle Benutzer – insbesondere Kinder – schwimmen zu lernen.
- Lernen Sie die lebensrettenden Sofortmaßnahmen (Wiederbelebung) und frischen Sie diese Kenntnisse regelmäßig auf. Das kann im Notfall den lebensrettenden Unterschied machen.
- Instruieren Sie alle Poolbenutzer, einschließlich der Kinder, was im Notfall zu tun ist.
- Stürzen Sie sich nie in seichte Gewässer. Dies kann zu schweren Verletzungen oder zum Tod führen.
- Benutzen Sie den Swimming-Pool nicht, wenn Sie Alkohol oder Medikamente einnehmen; dies kann Ihre Fähigkeit zur sicheren Benutzung des Pools beeinträchtigen.
- Wenn Poolabdeckungen verwendet werden, entfernen Sie diese vollständig von der Wasseroberfläche, bevor Sie in den Pool steigen.
- Schützen Sie die Poolbenutzer vor wasserbedingten Krankheiten, indem Sie das Poolwasser behandeln und auf gute Hygiene achten.
- Lagern Sie Chemikalien (zB Wasseraufbereitung, Reinigungs- oder Desinfektionsprodukte) außerhalb der Reichweite von Kindern.
- Entfernbare Leitern sollten auf einer horizontalen Fläche aufgestellt werden.
- Beachten und befolgen Sie die Warnhinweise und Sicherheitsschilder an der Poolwand.

## TEILEREFERENZ (FORTSETZUNG)

Bevor Sie mit dem Zusammenbau des Pools beginnen, nehmen Sie sich bitte kurz Zeit um sich mit den Einzelteilen vertraut zu machen. Dies erleichtert Ihnen den Aufbau von Pool und Zubehör.



**HINWEIS:** Die Zeichnungen sind nur für Illustrationszwecke gedacht, eventuelle Abweichungen zum Produkt können vorhanden sein. Nicht maßstabgetreu.

TEILENUMMER	BESCHREIBUNG	157-1/2" x 78-3/4" x 48" (400 cm x 200 cm x 122 cm)		157-1/2" x 78-3/4" x 39-3/8" (400 cm x 200 cm x 100 cm)	
		MENGE	ERSATZTEILNUMMER	MENGE	ERSATZTEILNUMMER
1	KUNSTSTOFFEINSATZ FÜR HORIZONTALE STANGEN	16	12795	16	12795
2	DEHNBARER EINZELCLIP	4	10381	4	10381
3	QUERSTANGEN (A) (INKLUSIVE PLASTIKEINSATZ)	4	12747G	4	12747
4	QUERSTANGEN (B) (DEHNBARER EINZELCLIP INKLUSIVE)	2	12748G	2	12748
5	QUERSTANGEN (C) (INKLUSIVE PLASTIKEINSATZ)	4	13008G	4	13008
6	QUERSTANGEN (D) (INKLUSIVE PLASTIKEINSATZ)	2	12793G	2	12793
7	WINKELVERBINDUNG	8	12794G	8	12794
8	U-FÖRMIGE SEITENTRÄGERENDKAPPE	16	10379	16	10379
9	DEHNBARER V-FÖRMIGER CLIP	16	10382	16	10382
10	U-FÖRMIGE SEITENTRÄGER (U-FÖRMIGE SEITENTRÄGERENDKAPPE & DEHNBARER V-FÖRMIGER CLIP INKLUSIVE)	8	12570G	8	12167
11	VERBINDUNGSSTAB	8	10383	8	10383
12	PVC-ÜBERGANGSFOLIE	8	12217W	8	12217A
13	POOLFOLIE (ABLASS-VENTIL-DECKEL INKLUSIVE)	1	13004W	1	12796
14	ABLASSVORRICHTUNG	1	10201	1	10201
15	ABLASS-VENTIL-DECKEL	2	11044	2	11044
16	STIFT (2 EXTRA)	14	12136	14	12136
17	GUMMIDICHTUNG (2 EXTRA)	14	10648	14	10648
18	STÖPSEL FÜR SIEBANSCHLUSS (1 EXTRA)	3	10127	3	10127

## POOLAUFBAU

### WICHTIGE INFORMATION FÜR DEN STANDORT UND DIE VORBEREITUNG DES BODENS

#### **WARNUNG**

- Der Pool muss an einem Ort aufgestellt werden, wo Sie ausschließen können, dass ihn jemand unbefugt, unbeabsichtigt oder unbeaufsichtigt betritt.
- Treffen Sie Sicherheitsvorkehrungen um Kinder und Haustiere zu schützen.
- Um einen sicheren Aufbau zu garantieren, stellen Sie den Pool auf einem sicheren, kompakten Untergrund auf. Ansonsten kann es passieren, dass der Pool zusammenklappt und eine sich im Pool befindende Person aus dem Pool „geschwemmt“ und verletzt wird.
- **ACHTUNG:** Schließen Sie die Filterpumpe nur an eine Steckdose an, die durch einen Fehlerstromschutzschalter (FI) bzw. einer Fehlerstromschutzeinrichtung (30 mA) gesichert ist. Um das Risiko eines Elektroschocks zu minimieren, benutzen Sie keine Verlängerungskabel, Zeitschaltuhren, Adapter- oder Konverterstecker, um die Pumpe an das elektrische Netz anzuschließen. Eine richtig platzierte Anschlussdose ist nötig. Geben Sie das Kabel an einen Platz, wo es nicht von Rasenmähern, Heckscheren und anderem beschädigt werden kann. Beachten Sie die weiteren Warnhinweise in der Gebrauchsanweisung für die Filterpumpe.
- Gefahr von schweren Verletzungen: Versuchen Sie nicht, den Pool bei starkem Wind zusammenzubauen.

#### Suchen Sie nach einem passenden Standort für Ihren Pool, beachten Sie dabei folgendes:

1. Der Untergrund **muss flach und eben sein**. Der Pool darf nicht auf einem Hang oder schiefen Untergrund stehen.
2. Der Untergrund muss so stabil sein, dass er das Gewicht eines gefüllten Pools aushält. Der Pool soll auch nicht auf schlammigem, sandigem oder lockerem Boden aufgestellt werden.
3. Stellen Sie den Pool nicht auf eine Terrasse, einen Balkon oder ein Podium, die unter dem Gewicht des gefüllten Pools zusammenbrechen könnten.
4. Rund um den Pool sollte ein Platz von 1,5 - 2 Metern frei bleiben, damit Kinder nirgendwo raufklettern können um in den Pool zu fallen.
5. Das Gras unter dem Pool wird beschädigt werden. Ausgelaufenes Poolwasser könnte den Pflanzen schaden.
6. Wenn der Untergrund kein Beton ist (d. h., wenn er Asphalt, Rasen oder Erde ist), müssen Sie ein Stück druckbehandeltes Holz, Größe 38 x 38 x 3 cm (15 x 15 x 1,2 Zoll), unter jeden U-förmigen Träger legen, und zwar **bodenbündig** oder auf gleicher Höhe zum Boden. Alternativ können Sie Stahlunterlagen oder verstärkte Betonplatten verwenden. Kontaktieren Sie Ihren örtlichen Poolhändler beim Kauf geeigneter Unterlagen für die U-förmigen Seitenteile.  
**HINWEIS:** Verwenden Sie keine Unterlagen oder Platten mit rutschiger, glatter Oberfläche, sonst wird der U-förmige Seitenträger nach außen rutschen und den Pool beschädigen. Die Garantie erlischt in diesem Fall.
7. Beseitigen Sie als erstes alle aggressiven Gräser. Bestimmte Grasarten wie St. Augustine oder Bermuda, könnten durch die Poolfolie wachsen. Sollte Gras durch oder in die Poolfolie wachsen, ist dies kein Produktionsfehler und somit kein Garantiefall.
8. Das Gelände sollte nach jeder Benutzung und/oder bei einer Langzeitlagerung des Pools einen Abfluss des Poolwassers ermöglichen.



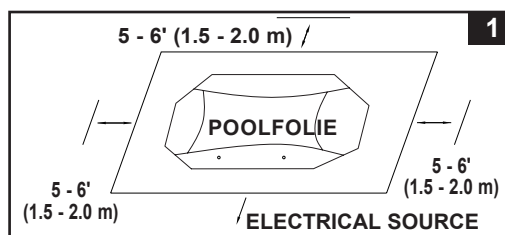
## POOLAUFBAU (Fortsetzung)

Dieser Pool wird auch mit einer Intex Krystal Clear™ Filterpumpe angeboten. Für die Pumpe gibt es eigene Installationsanleitungen. Bauen Sie zuerst den Pool auf und dann die Filterpumpe.

Die geschätzte Aufbauzeit beträgt 60-90 min. (Bitte berücksichtigen Sie, dass es sich hier um eine ungefähre Richtzeit handelt - die individuelle Aufbauzeit kann variieren.)

- Suchen Sie einen flachen und ebenen Untergrund für den Pool, der frei von Steinen, Ästen und anderen scharfen und spitzen Gegenständen ist, damit die Poolfolie nicht beschädigt wird.
- Öffnen Sie den Karton, der die Poolfolie, Stützen, usw. beinhaltet sehr sorgfältig, da dieser während der Wintermonate zur Lagerung verwendet werden kann.

- Legen Sie die Bodenplane (nicht inbegriffen) auf die freie Fläche. Geben Sie die Poolfolie (13) aus dem Karton und breiten Sie sie auf der Bodenplane so aus, dass das Ablassventil in Abflussrichtung liegt. Platzieren Sie den Pool so, dass sich das Auslassventil NICHT in Richtung Haus befindet. Öffnen Sie die Folie, damit sie sich in der Sonne aufwärmen kann. Dieses Aufwärmen vereinfacht das anschließende Aufstellen des Pools.



Vergewissern Sie sich, dass sich die Poolfolie in der Mitte der Unterlagsplane befindet und dass sich die Seite mit den beiden Schlauchanschlüssen in Richtung eines Stromanschlusses befindet.

**WICHTIG: Ziehen Sie die Poolfolie nicht über den Boden, da dies zu Löchern und anderen Schäden am Pool führen kann (siehe dazu Zeichnung 1).**

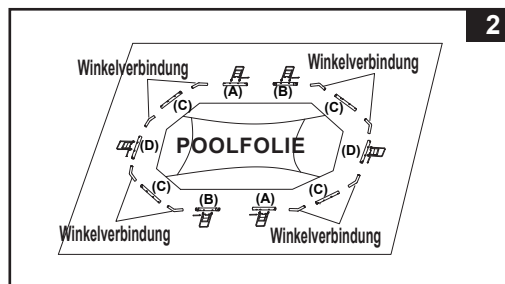
- Während des Aufbaus der Plane sollen die Schlauchverbindungen oder -öffnungen in Richtung der Stromquelle zeigen. Das äußere Ende des aufgebauten Pools muss erreichbar sein für einen Stromanschluss, der für die optionale Filterpumpe nötig ist.

- Entfernen Sie alle anderen Teile aus den Kartons und platzieren Sie sie in der Reihenfolge rund um die Poolfolie, wie sie anschließend aufgebaut werden. Überprüfen Sie die Liste der Einzelteile und vergewissern Sie sich, dass auch alle in der richtigen Anzahl vorhanden sind (siehe dazu Zeichnung 2).

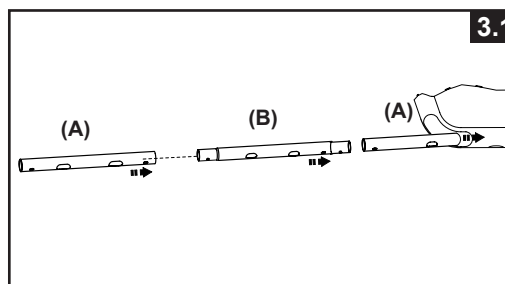
**WICHTIG: Beginnen Sie nicht mit dem Aufbau, falls etwas fehlt. Für Ersatzteile kontaktieren Sie Ihr lokales Kundenservice.**

Nachdem Sie alles kontrolliert haben, legen Sie die Teile wieder beiseite und beginnen Sie mit dem Aufbau.

**HINWEIS: Streuen Sie etwas Talkumpuder auf die waagerechten Träger, bevor Sie diese in den Rand der Schwimmbadfolie schieben. Dadurch wird das Entfernen der Träger aus der Folie beim Abbauen des Pools erleichtert.**

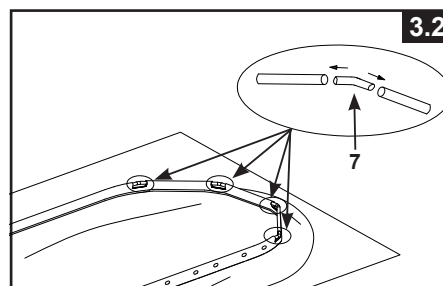


- Vergewissern Sie sich, dass die Poolfolie geöffnet ist und in ihrer vollen Größe auf der Unterlagsplane ausgebreitet wurde. Beginnen Sie auf einer Seite, stecken Sie die "A" Stangen zuerst in die Laschenöffnungen, welche sich in jedem Eck befinden. Fahren Sie mit den "B" Stangen fort, stecken Sie diese mit den "A" Stangen zusammen. Die "A" Stangen gehören wiederum mit den "B" Stangen verbunden (siehe dazu Zeichnung 3.1). Die Löcher der Stangen müssen deckungsgleich mit den Löchern der weißen Schlaufe sein. Danach schieben Sie alle "A-B-A" Stangen in die Laschenöffnungen.



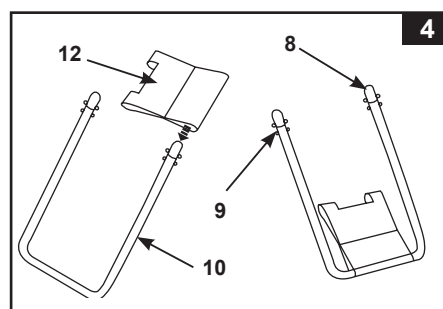
## POOLAUFBAU (Fortsetzung)

- Beginnen Sie mit dem Zusammensetzen der Eckverbindungen für die kurzen Seiten des Pools, indem Sie eine Eckverbindung (7) erst in Träger „A“ stecken, dann einen „D“ Träger in die Hülseöffnung und über die Eckverbindung (7) schieben. Fahren Sie fort, alle Eckverbindungen und „D“ Träger einzuführen. (**siehe dazu Zeichnung 3.2**). (Versichern Sie sich, dass an allen 4 Seiten die Löcher der Stangen mit den Löchern in der weißen Lasche übereinstimmen.)

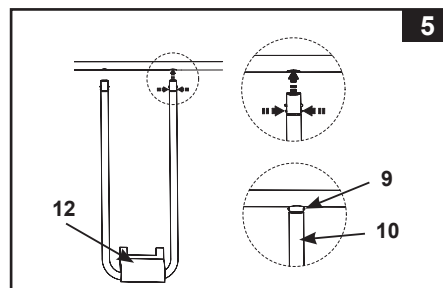


- Die letzte Verbindung kann schwierig zu bewerkstelligen sein. Es geht jedoch leichter, wenn Sie zuerst das letzte Verbindungsstück und die Stange gleichzeitig um ca. 5 cm anheben. Stecken Sie jetzt die Eckverbindung in die Traverse, während Sie die Elemente in ihre Position absenken. Die Eckverbindung wird nun mühelos in die Traverse gleiten.

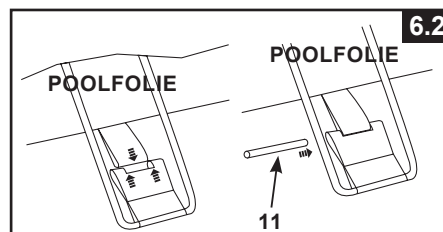
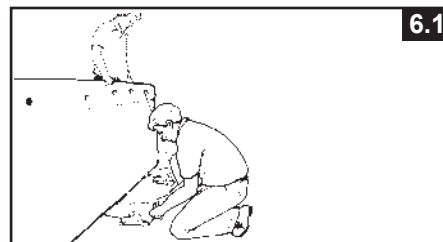
4. Schieben Sie die PVC-Übergangsfolie (12) auf die großen U-förmigen Seitenstangen (10). Wiederholen Sie diesen Vorgang für alle Seitenträger (**siehe dazu Zeichnung 4**). Wichtig: Die Folie muss während des nächsten Schritts #5 flach am Boden liegen bleiben. Das ist der Grund, warum mindestens 1,5 - 2 m Abstand rund um den Pool wichtig sind.



5. Die oberen Enden der U-förmigen Seitenträger haben einen v-förmigen dehnbaren Clip inkludiert, der schon maschinell befestigt wurde. Schieben Sie die Seitenträger in die Löcher der „A-B-A & D“ - Stangen, indem Sie den kleinen Knopf mit den Fingern hineindrücken. Anschließend dehnt sich der Clip auseinander und die Seitenträger schnappen ein. Wiederholen Sie diesen Vorgang bei allen Seitenträgern (**siehe dazu Zeichnung 5**).

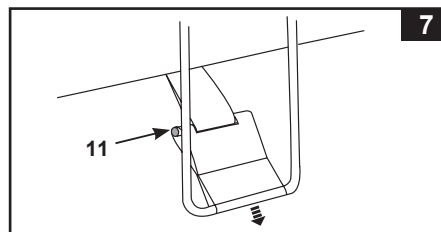


6. Mit Hilfe einer Person, die im Pool steht, ziehen Sie eine Ecke hoch und stecken Sie den Verbindungsstab (11) in die sich überlappenden Öffnungen, um die Laschen am Beckenboden mit der PVC-Übergangsfolie zu verbinden. Wiederholen Sie den Vorgang mit der Lasche der Poolfolie und Übergangsfolien (**siehe dazu auch die Zeichnungen 6.1 & 6.2**).



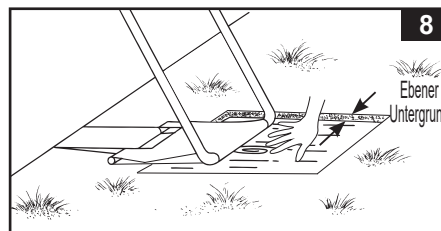
## POOLAUFBAU (Fortsetzung)

7. Ziehen Sie die Enden der seitlichen Stützen weg von der Poolfolie, damit die Übergangsfolien straff am Boden liegen (**siehe dazu Zeichnung 7**).



8. Sollte der Boden nicht betoniert sein (zB Asphalt, Rasen, Erde), legen Sie bitte ein gepresstes Holzstück in der Größe von 38 x 38 x 3 cm unter jeden U-förmigen Seitenträger. Die Seitenträger, bündig mit dem Boden. Müssen in der Mitte des Holzstückes platziert werden und die Holzfaser soll normal (senkrecht) zu diesen verlaufen (**siehe dazu Zeichnung 8**).

**HINWEIS:** Achten Sie darauf, dass jede Unterlage vertieft und bodenbündig und nicht einfach nur auf den Boden gelegt wird. Verwenden Sie keine Unterlagen oder Platten mit rutschiger, glatter Oberfläche, sonst wird der U-förmige Seitenträger nach außen rutschen und den Pool beschädigen. Die Garantie erlischt in diesem Fall.

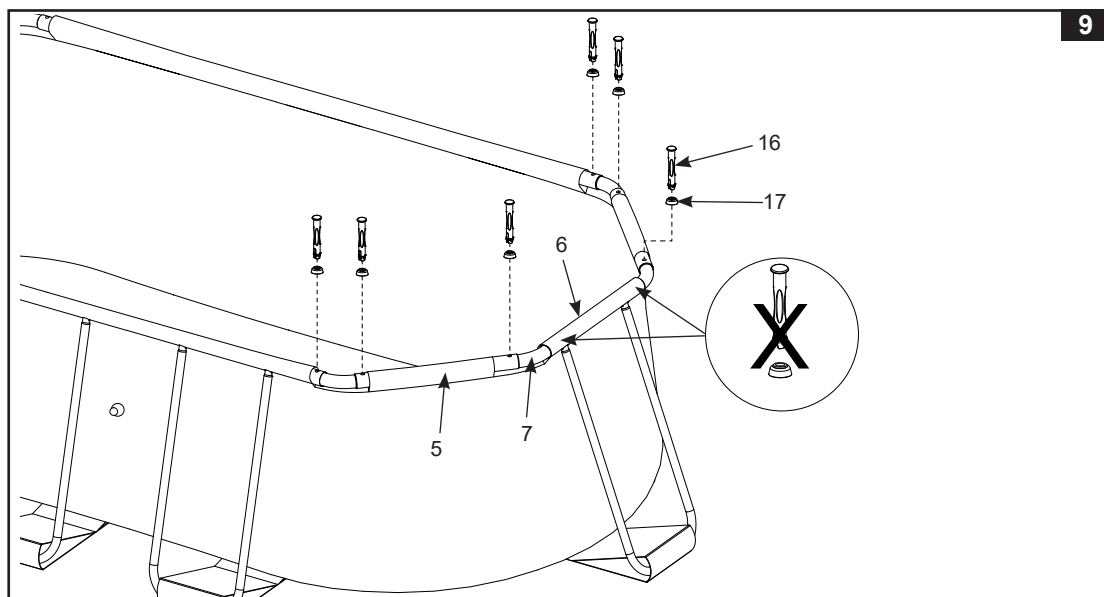


9. Achten Sie darauf, den Pool korrekt aufzustellen. Beginnen Sie mit einer kürzeren Seite. Stecken Sie einen Stift (**16**) durch die Dichtung (**17**) und verbinden Sie das Eckverbindungsstück (**7**) mit der horizontalen Leiste, fahren Sie mit der „C“ Leiste (**5**) fort. Die mittlere „D“ Leiste (**6**) ist so ausgelegt, dass sie über die Eckverbindungsstücke (**7**) bewegt werden kann. Stecken Sie keine Stifte in die vorgebohrten Löcher zwischen der mittleren „D“ Leiste (**6**) und den Eckverbindungsstücken (**7**).

Wiederholen Sie diesen Schritt an der anderen kurzen Seite des Pools.

Schütteln Sie den Pool, um sicherzustellen, dass alle Verbindungsstücke, Standbeine und Leisten ineinanderstecken. Achten Sie darauf, alle Stifte richtig zu befestigen, indem Sie sie nach unten durch die Löcher drücken (**siehe dazu Zeichnung 9**).

**WICHTIG:** Die mittlere „D“ Leiste ist so ausgelegt, dass sie über die Eckverbindungsstücke bewegt werden kann und ist nicht an den Eckverbindungsstücken befestigt. Dadurch lassen sich die Seitenwände des Pools nach innen oder nach außen bewegen, wenn der Pool in Gebrauch ist.



10. Bauen Sie die Leiter zusammen. Für die Leiter gibt es eine separate Aufbauanleitung im Karton der Leiter.

11. Stellen Sie die aufgebaute Leiter über eine Seitenwand während eine Person im Pool die Falten am Boden glatt streicht. Diese Person sollte auch überprüfen ob die beiden Auslassventile (in den Ecken) gut geschlossen sind. Diese Person drückt auch alle Ecken der Folie nach außen.

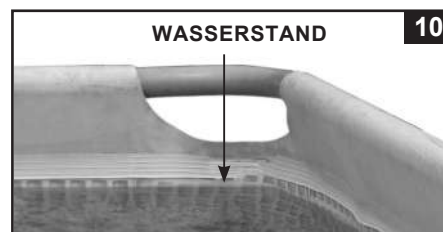
## POOLAUFBAU (Fortsetzung)

12. Bevor Sie mit dem Befüllen des Pools beginnen, achten Sie darauf, dass der Stöpsel innen und außen gut verschlossen ist. Füllen Sie den Pool mit max. 2-3 cm Wasser. Stellen Sie außerdem sicher, dass alle Eckverbindungen (7) korrekt in die Träger eingeführt sind, bevor Sie den Pool mit Wasser füllen.

**WICHTIG: Sollte das Wasser im Pool auf eine Seite laufen, so steht der Pool nicht vollkommen gerade. Wird der Pool auf unebenem Grund aufgestellt ist die Folge, dass das Wasser auf eine Seite läuft und die Seitenwand ausbuchtet. Ist der Untergrund nicht komplett flach, müssen Sie zuerst die Fläche ebnen und den Pool erneut aufstellen.**

Beginnen Sie, die verbliebenen Falten auszustreichen (von der Innenseite des Pools), indem Sie die Stelle, wo der Poolboden und die Seitenwand aufeinandertreffen, auseinanderdrücken. Sie können auch unter die Poolseitenwände (von der Außenseite des Pools) greifen und den Poolboden nach außen ziehen. Sollte die Untergrundfolie die Falten verursachen, sollten 2 Personen von jeder Seite anziehen, um die Falten zu entfernen.

13. Wasser darf bis knapp unter die Linie der inneren Naht gefüllt werden (siehe dazu Zeichnung 10).  
**HINWEIS:** Die Poolseitenwände und Rahmenstruktur werden sich nach dem Befüllen mit Wasser auf die empfohlene Höhe nach innen lehnen. Seien Sie darüber nicht besorgt. Dies ist wichtig und dient dazu, die Bewegung des Wassers und den Druck während der Verwendung aufzunehmen.



## WICHTIG

Bevor Sie jemandem erlauben den Pool zu nutzen, erklären Sie bitte alle Gebrauchsanweisungen, die im Benutzerhandbuch stehen. Legen Sie mit den Familienmitgliedern genaue Regeln fest. Besprechen Sie diese Regeln und Anweisungen regelmäßig mit allen Personen, die den Pool benutzen, auch mit Gästen.

## GENERELLE SICHERHEITSHINWEISE

Ihr Swimmingpool kann Ihnen viel Spaß und Freude bereiten, jedoch bringt das Wasser auch Risiken mit sich. Um eventuelle Verletzungsgefahren und lebensbedrohliche Situationen vermeiden zu können, lesen und halten Sie sich unbedingt an die Sicherheitshinweise, die dem Produkt beigelegt sind. Vergessen Sie nicht, dass die Warnhinweise auf den Packungen zwar viele, aber natürlich nicht alle möglichen Risiken beinhalten.

Zur zusätzlichen Sicherheit machen Sie sich bitte mit folgenden Richtlinien bekannt sowie mit Warnungen, die von nationalen Sicherheitsorganisationen zur Verfügung gestellt werden.

- Sorgen Sie für ununterbrochene Aufsicht. Ein zuverlässiger und kompetenter Erwachsener sollte die Funktion des Badewärters übernehmen, insbesondere wenn sich Kinder im oder in der Nähe des Pools befinden.
- Lernen Sie schwimmen.
- Nehmen Sie sich Zeit und machen Sie sich mit Erster Hilfe vertraut.
- Informieren sie jeden, der den Pool beaufsichtigt über die möglichen Gefahren, sowie über die Benutzung von Schutzvorrichtungen wie zum Beispiel verschlossene Türen, Absperrungen, usw.
- Informieren Sie alle Personen, inklusive Kinder, die den Pool benutzen darüber, was im Falle eines Unfalls zu tun ist.
- Vernunft und richtiges Einschätzungsvermögen während dem Baden sind wichtig.
- Beaufsichtigen, beaufsichtigen, beaufsichtigen.

## POOLINSTANDHALTUNG UND POOLCHEMIE

### ⚠️ WARNUNG

#### NICHT VERGESSEN

- Halten Sie das Wasser immer sauber, so schützen Sie alle Benutzer des Pools vor Krankheiten. Das Poolwasser nicht schlucken. Achten Sie immer auf die Hygiene.
- Halten Sie Ihren Pool sauber und rein. Von Außen muss der Poolboden immer sichtbar sein.
- Achtung: Halten Sie Kinder vom abgedeckten Pool fern um zu verhindern, dass sich diese in der Abdeckplane verwickeln und so ertrinken oder sich schwer verletzen können.

#### Wasserpflege

Die Beachtung der richtigen Wasserzusammensetzung ist der wichtigste Einzelfaktor, um die Lebensdauer zu erhöhen und das Aussehen des Folienmaterials, sowie ein klares, reines und gesundes Wasser zu erhalten. Sie können die Wasserqualität mit Testprodukten regelmäßig überprüfen. Bitte beachten Sie die folgenden Anweisungen des Chemiehersellers:

1. Chlor darf nicht in Berührung mit der Poolfolie kommen, bevor es sich im Wasser vollständig gelöst hat. Chlor in Form von Granulat oder Tabletten soll vorher in einem Behälter aufgelöst werden. Bei flüssigem Chlor ist es wichtig, dieses sofort gründlich mit dem Poolwasser zu vermischen.
2. Mischen Sie niemals verschiedene Chemikalien miteinander. Setzen Sie die Chemikalien dem Poolwasser immer separat zu und mischen Sie diese gründlich, bevor Sie weitere Chemikalien zugeben.
3. Ein Intex Pool-Skimmer sowie ein Intex Pool-Sauger sind verfügbar, um bei der Erhaltung von sauberem Pool-Wasser behilflich zu sein. Bitte kontaktieren Sie Ihren örtlichen Pool-Fachhändler.
4. Verwenden Sie keinen Druckreiniger um den Pool zu reinigen.

## PROBLEMLÖSUNG

PROBLEM	BESCHREIBUNG	URSACHE	ABHILFEMASSNAHME
<b>ALGEN</b>	<ul style="list-style-type: none"> <li>• Grünliches Wasser.</li> <li>• Grüne oder schwarze Schmutzablagerung an der Poolfolie.</li> <li>• Poolfolie ist glitschig und/oder riecht schlecht.</li> </ul>	<ul style="list-style-type: none"> <li>• Chlor und pH-Werte müssen reguliert werden.</li> </ul>	<ul style="list-style-type: none"> <li>• Machen Sie eine "Schockbehandlung" mit einer Überdosis Chlor. Prüfen Sie den pH-Wert und korrigieren Sie diesen auf den von Ihrem Poolfachgeschäft empfohlenen Wert.</li> <li>• Saugen Sie den Poolboden.</li> <li>• Achten Sie auf den richtigen Chlorwert.</li> </ul>
<b>WASSER VERFÄRBT</b>	<ul style="list-style-type: none"> <li>• Wasser färbt sich bei der ersten Behandlung mit Chlor blau, braun oder schwarz.</li> </ul>	<ul style="list-style-type: none"> <li>• Im Wasser befindliches Kupfer, Eisen oder Magnesium oxidiert durch das hinzugefügte Chlor.</li> </ul>	<ul style="list-style-type: none"> <li>• Regulieren Sie den pH-Wert auf das empfohlene Richtmaß.</li> <li>• Lassen Sie den Filter ständig laufen, bis das Wasser klar ist.</li> <li>• Wechseln Sie die Filterkartusche regelmäßig.</li> </ul>
<b>WASSER IST TRÜB ODER MILCHIG</b>	<ul style="list-style-type: none"> <li>• Wasser ist trüb oder milchig.</li> </ul>	<ul style="list-style-type: none"> <li>• "Hartes Wasser" durch einen zu hohen pH-Wert.</li> <li>• Zu niedriger Chlorgehalt.</li> <li>• Fremdstoffe im Wasser.</li> </ul>	<ul style="list-style-type: none"> <li>• Korrigieren Sie den pH-Wert. Wenden Sie sich an Ihren Poolfachhändler bezüglich Behandlung von Wasser.</li> <li>• Überprüfen Sie den Chlorgehalt.</li> <li>• Reinigen oder wechseln Sie den Filter.</li> </ul>
<b>CHRONISCH NIEDRIGER WASSERSPIEGEL</b>	<ul style="list-style-type: none"> <li>• Morgens ist der Wasserspiegel niedriger als am Vorabend.</li> </ul>	<ul style="list-style-type: none"> <li>• Schlitz oder Loch in der Poolfolie oder im Schlauch oder Klemmen nicht angezogen.</li> </ul>	<ul style="list-style-type: none"> <li>• Versuchen Sie das Loch mit dem beigelegten Klebeset zu reparieren.</li> <li>• Ziehen Sie alle losen Schlauchklemmen an.</li> <li>• Ersetzen Sie die Schläuche.</li> </ul>
<b>ABLAGERUNGEN AM BECKEN-BODEN</b>	<ul style="list-style-type: none"> <li>• Schmutz oder Sand am Becken-Boden.</li> </ul>	<ul style="list-style-type: none"> <li>• Durch Toben im und außerhalb des Wassers.</li> </ul>	<ul style="list-style-type: none"> <li>• Benutzen Sie den INTEX Pool-Sauger zur Reinigung.</li> </ul>
<b>SCHMUTZ AN DER WASSEROBERFLÄCHE</b>	<ul style="list-style-type: none"> <li>• Blätter, Insekten usw.</li> </ul>	<ul style="list-style-type: none"> <li>• Pool steht zu nahe neben Bäumen.</li> </ul>	<ul style="list-style-type: none"> <li>• Benützen Sie den INTEX Pool- Laubkescher.</li> </ul>

## POOLINSTANDHALTUNG & ABFLUSS



### ACHTUNG

Befolgen Sie immer die Anweisungen des Herstellers der Chemikalien und die Gesundheits- und Sicherheitswarnungen.

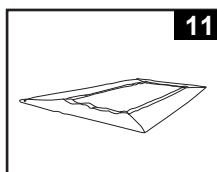
Während der Pool benutzt wird, dürfen keine Chemikalien beigesetzt werden, Haut- und Augenreizungen können auftreten. Konzentrierte Chlorlösungen können die Poolfolie beschädigen. In keinem Fall können die Firma Intex sowie alle Tochterfirmen und Servicecenter, Einzelhändler oder Angestellte zur Verantwortung gezogen werden bezüglich anfallender Kosten auf Grund von Wasserverlust, schlechter Wasserqualität oder falscher Verwendung von Chemie. **Halten Sie Ersatzfilterkartuschen bereit und tauschen Sie die Kartuschen alle zwei Wochen aus. Wir empfehlen Ihnen eine Krystal Clear™ Filterpumpe für den Pool zu kaufen.**

**Bei Starkregen: Ist der Wasserstand höher als die Maximalanzeige, lassen Sie das Wasser so schnell wie möglich ab, um eine Beschädigung oder Überfüllung des Pools zu vermeiden.**

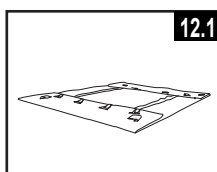
#### Entleeren und Langzeitlagerung des Pools

**ACHTUNG:** Dieser Pool hat in zwei Ecken Auslassventile. Schließen Sie den Gartenschlauch in jener Ecke zum Wasserauslassen an, der dem Abfluss am nächsten liegt.

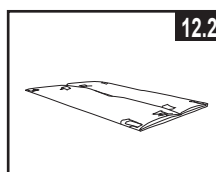
1. Beachten Sie die örtlichen Bestimmungen bezüglich der Entsorgung des Swimmingpoolwassers.
2. Achten Sie auch darauf, dass sich das Auslassventil in der richtigen Position befindet.
3. Entfernen Sie die Abdeckung vom Ablassventil an der Außenwand des Pools.
4. Legen Sie das richtige Ende des Gartenschlauches zum dazugehörigen Schlauchadapter.
5. Das andere Ende des Schlauches soll in die Richtung zeigen, wo das Wasser sicher vom Haus wegfließen kann.
6. Schließen Sie den Schlauchadapter an das Ablassventil an. **ACHTUNG: Nach dem Anschluss des Adapters an das Auslassventil beginnt das Wasser sofort durch den Schlauch abzufließen.**
7. Wenn das Wasser aufhört selbstständig auszulaufen, heben Sie den Pool auf der gegenüberliegenden Seite des Ablassventiles, somit entleeren Sie auch das restliche Wasser aus dem Pool.
8. Schließen Sie Schlauch und Adapter ab, wenn Sie fertig sind.
9. Das Auslassventil muss zur Lagerung auf beiden Seiten-Innen und Außen-geschlossen werden.
10. Ersetzen Sie die Ablasskappe auf der Außenseite des Pools.
11. Um den Pool abzubauen, befolgen Sie die Aufbau-Anleitung in umgekehrter Reihenfolge und entfernen Sie alle Verbindungsteile.
12. Stellen Sie sicher, dass der Pool und alle Teile komplett trocken sind, bevor Sie sie lagern. Trocknen Sie die Poolfolie an der Luft in der Sonne, bis alles vollständig trocken ist, bevor Sie die Poolfolie zusammenfalten (**siehe dazu Zeichnung 11**). Streuen sie Talkumpuder über die Poolfolie, damit das Material nicht aneinander kleben bleibt und überschüssiges Wasser aufgesaugt werden kann.
13. Falten Sie ein Rechteck: Beginnen Sie auf einer Seite und falten Sie ein Sechstel der Poolfolie zweimal ineinander. Gehen Sie auf der gegenüberliegenden Seite genauso vor (**siehe dazu auch die Zeichnungen 12.1 & 12.2**).
14. Wenn Sie zwei gegenüberliegende Seiten nach innen gefaltet haben, klappen Sie einfach eine Seite über die andere, wie wenn Sie ein Buch schließen (**siehe dazu auch die Zeichnungen 13.1 & 13.2**).
15. Falten Sie die langen Enden zur Mitte hin (**siehe dazu Zeichnung 14**).
16. Falten Sie das eine Ende über das andere (wie beim Schließen eines Buchs) und pressen Sie die Folie zusammen (**siehe dazu Zeichnung 15**).
17. Lagern Sie die Poolfolie und Zubehörteile an einem trockenen Ort bei 0°C bis 40°C.
18. Die Originalverpackung kann zur Lagerung verwendet werden.



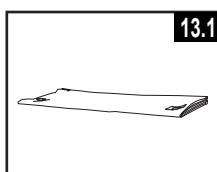
11



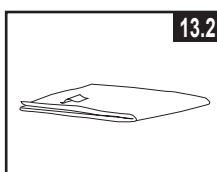
12.1



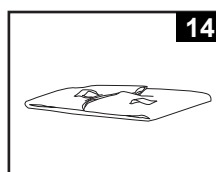
12.2



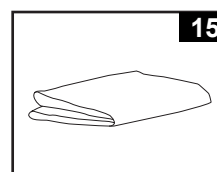
13.1



13.2



14



15

## WINTERVORBEREITUNGEN

### Überwinterung Ihres Aufstellpools

Nach dem Gebrauch können Sie den Pool ganz einfach entleeren und an einem sicheren Platz verstauen. Wenn die Temperaturen unter 5 Grad Celsius sinken, müssen Sie den Pool ablassen, zerlegen und ordnungsgemäß verstauen, um Eisschäden am Pool und den dazugehörigen Komponenten zu verhindern. Eisschäden können dazu führen, dass Sie die Poolfolie nicht mehr verwenden können bzw. im schlimmsten Fall kann diese aufreißen. Sehen Sie auch den Abschnitt „Entleeren“.

Sollten die Temperaturen in Ihrer Umgebung nicht unter 5 Grad Celsius sinken, und Sie sich entscheiden, den Pool aufgebaut zu lassen, gehen Sie folgenderweise vor:

1. Reinigen Sie das Poolwasser gründlich (wenn Sie ein Easy Set Pool, prüfen Sie, ob der Luftring gut aufgeblasen ist).
2. Entfernen Sie den Skimmer (falls zutreffend) oder andere an den Filter angeschlossene Teile. Ersetzen Sie, falls nötig, das Gittersieb. Kontrollieren Sie, dass jegliches Zubehör vor dem Einlagern, sauber und trocken ist.
3. Schließen Sie Zulauf und Ablassstücke mit den dafür vorgesehenen Stöpseln (Größe 16' und darunter). Schließen Sie das Zulauf- und Ablassventil (Größe 17' und darüber).
4. Entfernen Sie die Leiter (falls vorhanden) und lagern Sie sie an einem sicheren Ort. Kontrollieren Sie, dass die Leiter vor der Lagerung komplett trocken ist.
5. Entfernen Sie die Schläuche von allen Anschlüssen.
6. Verwenden Sie entsprechende Chemie für den Winter. Fragen Sie Ihren lokalen Poolhändler, welche Chemikalien Sie verwenden sollen und wie sie zu verwenden sind. Hier gibt es große regionale Unterschiede.
7. Decken Sie den Pool mit einer INTEX Abdeckplane ab. **WICHTIG: DIE INTEX ABDECKPLANE IST KEINE SICHERHEITSABDECKUNG.**
8. Reinigen und entleeren Sie Pumpe, Filtergehäuse und Schläuche. Entfernen und entsorgen Sie die alte Filterkartusche (halten Sie für die nächste Saison eine neue bereit).
9. Bringen Sie Pumpe und Filterteile in Innenräume und lagern Sie diese sicher und trocken, die Lagertemperatur sollte zwischen 0 und 40 Grad Celsius betragen.

## GARANTIE

Ihr Intex Pool wurde aus hochwertigen Materialien sowie hochwertiger Verarbeitungsqualität hergestellt. Alle Intex-Produkte wurden vor Verlassen des Werks kontrolliert und als mangelfrei befunden. Die Garantie gilt nur für den Intex Pool.

Diese eingeschränkte Garantie gilt nicht anstatt, sondern zusätzlich zu Ihren Rechtsansprüchen und Rechtsmitteln. Soweit diese Garantie unvereinbar mit jeglichen Ihrer Rechtsansprüche ist, haben diese Vorrang. Ein Beispiel: Verbraucherschutzgesetze in der gesamten Europäischen Union sorgen für gesetzliche Gewährleistungsrechte zusätzlich zu dem Bereich, der durch diese eingeschränkte Garantie abgedeckt ist. Für Informationen zu den EU-weiten Verbraucherschutzgesetzen besuchen Sie bitte das Europäische Verbraucherzentrum unter [http://ec.europa.eu/consumers/ecc/contact\\_en/htm](http://ec.europa.eu/consumers/ecc/contact_en/htm).

Die Bestimmungen dieser begrenzten Garantie kann nur der Ersterwerber des Produktes geltend machen und die begrenzte Garantie ist nicht übertragbar. Die Garantiekarte ist nur mit Kassenbonn gültig. Der Garantiezeitraum der unten angeführt ist, gilt ab Kaufdatum. Bewahren Sie bitte Ihre Kaufquittung mit dieser Bedienungsanleitung auf. Bei allen Garantieansprüchen ist ein Kaufnachweis vorzulegen oder die begrenzte Garantie ist ungültig.

Garantie für die Poolfolie und das Rahmengestell - 1 Jahr

Falls im Verlauf dieses Zeitraums von 1 Jahr ein Herstellungsfehler auftritt, kontaktieren Sie bitte das zuständige INTEX Service Center, die in der separaten „autorisierte Service Center“ Liste aufgeführt werden. Das Service Center stellt die Gültigkeit Ihres Anspruchs fest. Wenn der Artikel zurückgeschickt wurde wie vom Intex Service Center angewiesen, kontrolliert das Service Center den Artikel und stellt die Gültigkeit Ihres Anspruches fest. Wenn der Artikel unter die Garantiebestimmungen fällt, wird er kostenlos repariert oder kostenlos durch einen gleichen oder einen vergleichbaren Artikel (Entscheidung von Intex) ersetzt.

Außer dieser Garantie und anderen Rechtsansprüchen in Ihrem Land sind keine weiteren Garantien impliziert. In dem Ausmaß, das in Ihrem Land möglich ist, haftet Intex unter keinen Umständen gegenüber Ihnen oder einem Dritten für unmittelbare oder daraus folgende Schäden, die sich aus dem Gebrauch Ihres Intex Pool, ergeben, oder für Handlungen von Intex oder seinen zugelassenen Vertretern und Mitarbeitern (einschließlich der Herstellung des Produkts). Einige Länder erlauben keine Ausschließung oder Einschränkung von Schäden und Folgeschäden. Die o.g. Ausschließung oder Einschränkung ist auf diese Länder nicht anzuwenden.

Folgendes führt zum Ausschluss der eingeschränkten Garantie für Intex Pool bzw. unterliegt nicht der eingeschränkten Garantie:

- Wenn der Intex-Pool Fahrlässigkeit, unsachgemäßem Gebrauch oder Anwendung, Unfall, missbräuchlicher Verwendung, unsachgemäßer Wartung oder Lagerung ausgesetzt ist.
- Wenn der Intex-Pool Schäden, die außerhalb des Einflussbereiches von Intex liegen, u.a. Löcher, Risse, gewöhnlicher Verschleiß und Abrieb und Schaden, der durch Brandeinwirkung, Überschwemmung, Gefrieren, Regen oder anderen äußeren Umwelteinflüssen verursacht wurde, ausgesetzt ist.;
- Teile und Komponenten, die nicht von Intex verkauft wurden und / oder
- Nicht genehmigte Änderungen, Reparaturen oder Demontage durch jemanden anderen als das Intex-Service-Center-Personal.

Die Garantie umfasst nicht die Kosten, die aus dem Auslaufen des Pool-Wassers, von Chemikalien oder Wasserschäden resultieren. Sach- oder Personenschäden fallen ebenfalls nicht unter diese Garantie.

Bitte lesen Sie die Bedienungsanleitung äußerst sorgfältig und beachten Sie alle Anweisungen in Bezug auf den ordnungsgemäßen Betrieb und die Wartung Ihres Intex Pools. Kontrollieren Sie das Produkt immer bevor Sie dieses in Betrieb nehmen. Die beschränkte Garantie erlischt, wenn die Anweisungen nicht befolgt werden.



## REGOLE PER LA SICUREZZA

Leggere attentamente e capire le istruzioni di seguito riportate prima di montare ed utilizzare il prodotto.

# PISCINA PREMIUM OVALE PRISM FRAME™

157-1/2" x 78-3/4" x 48" (400 cm x 200 cm x 122 cm)

157-1/2" x 78-3/4" x 39-3/8" (400 cm x 200 cm x 100 cm)



Immagine a solo scopo illustrativo. Gli accessori possono non essere forniti con la piscina.

Non dimenticate di acquistare anche gli altri prodotti Intex: Le Piscine fuori terra, gli Accessori per piscine, le Piscine gonfiabili, I Prodotti In-Toyz, i Materassi gonfiabili Airbed e i Canotti sono prodotti Intex disponibili presso i rivenditori oppure visitando il sito Internet.

A seguito dell'applicazione di una politica di miglioramento continuo dei prodotti, Intex si riserva il diritto, senza preavviso, di modificare le specifiche e l'aspetto dei prodotti, che potrebbero comportare l'aggiornamento del manuale di istruzioni.

**INTEX**® ©2020 Intex Marketing Ltd. - Intex Development Co. Ltd. - Intex Recreation Corp. All rights reserved/Tous droits réservés/Todos los derechos reservados/Alle Rechte vorbehalten. Printed in China/Imprimé en Chine/Impreso en China/Gedruckt in China.

®™ Trademarks used in some countries of the world under license from/®™ Marques utilisées dans certains pays sous licence de/ Marcas registradas utilizadas en algunos países del mundo bajo licencia de/Warenzeichen verwendet in einigen Ländern der Welt in Lizenz von/Intex Marketing Ltd. to/à/a/an Intex Development Co. Ltd., G.P.O Box 28829, Hong Kong & Intex Recreation Corp., P.O. Box 1440, Long Beach, CA 90801 • Distributed in the European Union by/Distribué dans l'Union Européenne par/Distribuido en la unión Europea por/Vertrieb in der Europäischen Union durch/Intex Trading B.V., Venneveld 9, 4705 RR Roosendaal – The Netherlands [www.intexcorp.com](http://www.intexcorp.com)

## TAVOLA DEI CONTENUTI

<b>Attenzione / Regole per la sicurezza.....</b>	<b>3-4</b>
<b>Riferimento ai componenti.....</b>	<b>5</b>
<b>Istruzioni di montaggio.....</b>	<b>6-10</b>
<b>Linee Guida Generali per la sicurezza in acqua.....</b>	<b>10</b>
<b>Manutenzione e utilizzo di prodotti chimici.....</b>	<b>11</b>
<b>Risoluzione problemi.....</b>	<b>11</b>
<b>Manutenzione della piscina &amp; Svuotamento.....</b>	<b>12</b>
<b>Rimessaggio per l'inverno.....</b>	<b>13</b>
<b>Garanzia Limitata.....</b>	<b>14</b>

### **Introduzione:**

*Grazie per aver comprato una piscina Intex. Vogliate leggere questo manuale prima di montare la piscina. Le informazioni qui contenute saranno d'aiuto per preservare più a lungo la piscina e renderla più sicura per il divertimento della famiglia. Si raccomandano almeno 2/4 persone per il montaggio. Più persone renderanno più veloce il montaggio.*

*Non sono necessari attrezzi per il montaggio.*

# REGOLE PER LA SICUREZZA

Leggere attentamente e capire le istruzioni di seguito riportate prima di montare ed utilizzare il prodotto.

## ⚠ ATTENZIONE

- **Bambini e portatori di handicap devono sempre essere sotto la supervisione di un adulto.**
- Chiudere porte, finestre per evitare qualunque accesso non autorizzato, accidentale o non sorvegliato all'acqua.
- Prevedere una struttura di sicurezza volta ad impedire l'accesso alla piscina a bambini troppo piccoli ed animali domestici.
- La piscina e i suoi accessori devono essere montati e smontati solo da adulti.
- Non tuffarsi, saltare o scivolare in una piscina fuori terra con acqua poco profonda.
- Qualora la piscina non venisse montata su un terreno in piano, compatto e resistente o venisse eccessivamente riempita d'acqua, la struttura potrebbe collassare su se stessa e provocare danni agli utenti.
- Non piegare, non mettersi a cavalcioni e non esercitare nessun tipo di pressione sull'anello gonfiabile o sul bordo superiore perché ci potrebbe essere un danneggiamento o un'esonazione d'acqua. Impedire che chiunque si sieda, si metta a cavalcioni o si arrampichi sui lati della piscina.
- Non lasciare giochi e gonfiabili dentro e vicino alla piscina quando non in uso perché potrebbero attirare i bambini.
- Tenere ad almeno 1.2 mt di distanza della piscina giochi, sedie, tavoli o qualunque cosa su cui un bambino potrebbe arrampicarsi.
- Tenere l'equipaggiamento di salvataggio e numeri telefonici di emergenza e pronto intervento il più possibile vicino alla piscina. Esempi di attrezzatura di salvataggio: salvagente approvato da guardia costiera munito di corda e paletto rigido lungo 365.76 cm.
- Non nuotare e non permettere a nessuno di nuotare da solo.
- Conservare la piscina in luogo asciutto e pulito. Assicurarsi che il fondo della piscina sia sempre ben visibile dalla barriera all'accesso della piscina.
- Se si desidera nuotare di sera, utilizzare luci artificiali per illuminare tutti i dispositivi di sicurezza, le scalette, il fondo della piscina e le vie di passaggio.
- Non entrare in acqua sotto effetto di droghe o alcool.
- Tenere fuori dalla portata dei bambini i teli copri piscina al fin e di evitare aggrovigliamenti, annegamento o altre gravi conseguenze.
- Il telo copri piscina deve essere rimosso completamente prima dell'uso. Adulti e bambini non possono essere visti sotto un telo.
- Non coprire o scoprire la piscina quando qualcuno è ancora in acqua.
- Tenere la piscina e la zona nei pressi pulite ed asciutte per evitare che scivolote, cadute o oggetti abbandonati possano causare danni.
- Evitate ai bagnanti malattie derivanti dall'acqua tenendo la piscina pulita. Non ingoiare l'acqua della piscina e mantenete l'igiene.
- Le piscine con l'utilizzo sono soggette al deterioramento. Conservare la piscina opportunamente. Alcuni tipi di deterioramento eccessivo o accelerato potrebbero danneggiare la piscina. Il danneggiamento della piscina potrebbe provocare il rilascio di grossi quantitativi d'acqua all'esterno della stessa.
- Questa piscina è solo per uso esterno.
- Svuotare il prodotto completamente in previsione di lunghi periodi di inutilizzo e riporlo in modo da evitare l'accumulo di acqua piovana o da altre sorgenti, e il rischio di essere danneggiato o spostato in caso di forte vento. Guardare le istruzioni di stoccaggio.
- Quando si utilizza la piscina, mettere in funzione il filtro della pompa per assicurarsi che vi sia almeno un cambio d'acqua al giorno. Controllare il manuale della pompa per calcolare le necessarie ore di operatività.

**LE BARRIERE ALL'ACCESSO E LE COPERTURE DELLA PISCINA NON POSSONO SOSTITUIRE LA COSTANTE E COMPETENTE SUPERVISIONE DEGLI ADULTI. POICHE' NON C'E' ALCUN BAGNINO A CUSTODIA DELLA PISCINA, SI CONSIGLIA VIVAMENTE AGLI ADULTI DI COMPORTARSI COME SE FOSSERO DEI BAGNINI E PROTEGGERE LA VITA DI TUTTI GLI UTENTI, SPECIALMENTE DEI BAMBINI SIA DENTRO SIA INTORNO ALLA PISCINA.**

**NON SEGUIRE QUESTE AVVERTENZE POTREBBE CAUSARE SERI DANNI A COSE E PERSONE O, PEGGIO, LA MORTE.**

### Avvertenze:

I possessori di una piscina devono informarsi sulle leggi locali e statali riguardanti la sicurezza delle barriere, le restrizioni riguardanti i bambini, l'illuminazione e altri parametri di sicurezza. I consumatori dovrebbero informarsi in Comune per maggiori dettagli.

## REGOLE PER LA SICUREZZA

Leggere attentamente e capire le istruzioni di seguito riportate prima di montare ed utilizzare il prodotto. Le avvertenze, le istruzioni e le linee guida di sicurezza si riferiscono ai rischi più comuni che possono verificarsi con i giochi in acqua, ma non coprono tutti i rischi e i pericoli. Si prega sempre di prestare attenzione e usare il buon senso e il buon giudizio, per fare in modo che le attività in acqua vengano svolte in sicurezza e all'insegna del divertimento. Conservare per riferimenti futuri. Leggere attentamente la scatola e conservarla per future referenze. Controllare il prodotto per le avvertenze aggiuntive.

### Generali

- Controllare regolarmente che pin, bulloni e/o viti non presentino ruggine e che non ci siano schegge o bordi taglienti, verificare in particolare le superfici di facile accesso, per evitare lesioni.

### Avvertenze di sicurezza per i nuotatori inesperti

- La supervisione costante di un adulto competente sui nuotatori inesperti e su chi non è in grado di nuotare farà in modo che i rischi di annegamento si riducano (si ricorda che i bambini sotto i cinque anni sono a più alto rischio di annegamento).
- Ogni qual volta si utilizza la piscina è indispensabile la presenza di un adulto supervisore competente.
- I nuotatori inesperti e i non nuotatori devono indossare i dispositivi di protezione individuali durante l'utilizzo della piscina.
- Quando la piscina non è in uso o in assenza di un adulto come supervisore, si consiglia di rimuovere tutti i giocattoli dalla piscina o nelle vicinanze per evitare di invogliare i bambini ad entrarci.

### Dispositivi di sicurezza

- Si raccomanda di installare una barriera (e di chiudere tutte le porte e/o finestre) per prevenire l'accesso non autorizzato alla piscina.
- Barriere, coperture per piscine, allarmi piscina, o dispositivi di sicurezza analoghi sono aiuti utili, ma non sostituiscono la supervisione di un adulto competente.

### Equipaggiamento di sicurezza

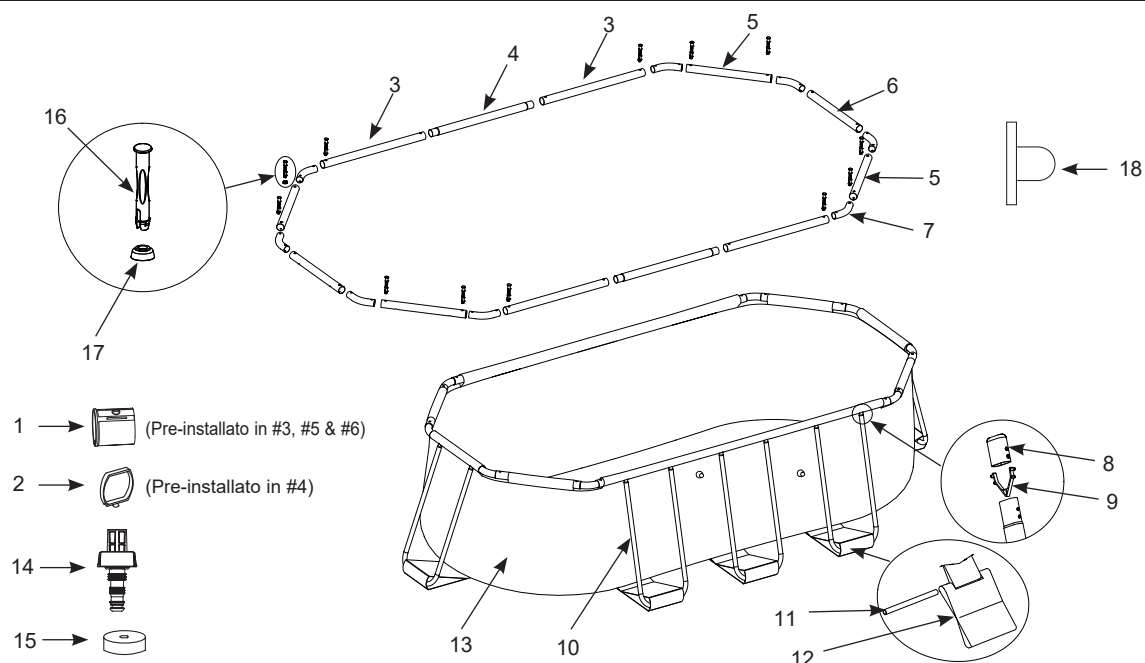
- Si consiglia di tenere a bordo piscina un equipaggiamento di primo soccorso (ad esempio, un anello di boa).
- Tenere a portata di mano vicino alla piscina un telefono con una lista di numeri telefonici di pronto soccorso.

### Utilizzo in sicurezza della piscina

- Invogliare tutte le persone che utilizzano la piscina, soprattutto i bambini, a imparare a nuotare.
- Imparare le prime nozioni di base in caso di emergenza (rianimazione cardiopolmonare - RCP) e provvedere all'aggiornamento regolarmente. Ciò potrebbe fare la differenza in caso di emergenza.
- Informare tutti gli utenti, compresi i bambini, su cosa fare in caso di emergenza.
- Non tuffarsi in acque basse. Potrebbe provocare lesioni gravi o mortali.
- Non entrare in piscina se si è fatto uso di alcool o farmaci. Potrebbero compromettere la capacità di utilizzare in modo sicuro la piscina.
- Quando si utilizzano coperture per piscine, rimuoverle completamente dalla superficie dell'acqua, prima di entrare in piscina.
- Proteggere gli utenti da malattie legate all'acqua, trattando accuratamente e regolarmente l'acqua della piscina e praticando una corretta igiene. Consultare il manuale d'uso per il trattamento delle acque.
- Conservare i prodotti chimici (ad esempio quelli per il trattamento delle acque, per la pulizia e la disinfezione) fuori dalla portata dei bambini.
- Le scalette rimovibili devono essere appoggiate su una superficie orizzontale.
- Rispettare e seguire le avvertenze e i simboli di sicurezza posti sulla parete della piscina.

## RIFERIMENTO AI COMPONENTI (CONTINUA)

Prima di montare il prodotto, spendere qualche minuto a prendere visione di cosa comprende e familiarizzare con i vari componenti.



**NOTA:** I disegni sono da considerarsi soltanto a scopo di esempio. Potrebbero non rispecchiare il reale prodotto. Non in scala.

NO RIFERIMENTO	DESCRIZIONE	157-1/2" x 78-3/4" x 48" (400 cm x 200 cm x 122 cm)		157-1/2" x 78-3/4" x 39-3/8" (400 cm x 200 cm x 100 cm)	
		Q.TÀ	CODICE RICAMBIO	Q.TÀ	CODICE RICAMBIO
1	INSERTO IN PLASTICA PER TUBO ORIZZONTALE AD ANGOLO	16	12795	16	12795
2	MOLLE A TASTO SINGOLO	4	10381	4	10381
3	ASTA (A) (INSERTO IN PLASTICA INCLUSO)	4	12747G	4	12747
4	ASTA (B) (MOLLE A TASTO SINGOLO INCLUSE)	2	12748G	2	12748
5	ASTA (C) (INSERTO IN PLASTICA INCLUSO)	4	13008G	4	13008
6	ASTA (D) (INSERTO IN PLASTICA INCLUSO)	2	12793G	2	12793
7	GIUNTO ANGOLARE	8	12794G	8	12794
8	CAPPUCCI DA PORRE ALLA FINE DEI SUPPORTI A FORMA DI U	16	10379	16	10379
9	CLIPS A MOLLA A DOPPIO TASTO	16	10382	16	10382
10	SUPPORTI LATERALI A FORMA DI U (CAPPUCCI DA PORRE ALLA FINE DEI SUPPORTI A FORMA DI U & CLIPS A MOLLA A DOPPIO TASTO INCLUSE)	8	12570G	8	12167
11	ASTE DI CONNESSIONE	8	10383	8	10383
12	CINGHIE DELLE GAMBE DELLA PISCINA	8	12217W	8	12217A
13	LINER (TAPPO DELLA VALVOLA DI SVUOTAMENTO INCLUSE)	1	13004W	1	12796
14	BOCCHETTA PER LO SVUOTAMENTO	1	10201	1	10201
15	TAPPO DELLA VALVOLA DI SVUOTAMENTO	2	11044	2	11044
16	PERNO (2 DI RICAMBIO)	14	12136	14	12136
17	GUARNIZIONE DI GOMMA (2 DI RICAMBIO)	14	10648	14	10648
18	STRAINER (1 DI RICAMBIO)	3	10127	3	10127

## MONTAGGIO DELLA PISCINA

### INFORMAZIONI SULLA SCELTA DEL POSTO DOVE MONTARE LA PISCINA E SULLA PREPARAZIONE DEL TERRENO

#### ATTENZIONE

- La posizione della piscina deve permettere di chiudere tutte le porte, finestre e barriere di sicurezza per prevenire ingressi in piscina non autorizzati, non intenzionali e non controllati.
- Prevedere una struttura di sicurezza volta ad impedire l'accesso alla piscina a bambini troppo piccoli ed animali domestici.
- Qualora la piscina, diversamente da quanto riportato sul manuale d'istruzione, non venisse montata su un terreno in piano, compatto e resistente o venisse eccessivamente riempita d'acqua, la struttura potrebbe collassare su se stessa e provocare seri danni agli utenti o alle cose.
- Rischio di scossa elettrica: collegare la pompa filtro solo ad una messa a terra protetta da un circuito salvavita (GFCI) o da un dispositivo a corrente residua (RCD). Per ridurre i rischi di scosse elettriche, non usare prolunghie, timer, adattatori o prese aggiuntive per collegare la pompa filtro ad una presa elettrica; fornire degli appositi fori di attacco. Posizionare il filo dove non possa essere danneggiato da tagliaerba, potasiepi e altre attrezzature. Guardare il manuale della pompa filtro per ulteriori avvertimenti ed istruzioni.
- Rischio di lesioni gravi: non assemblare la piscina in condizioni di vento forte.

#### Scegliere una posizione all'aperto per la piscina tenendo a mente le seguenti avvertenze:

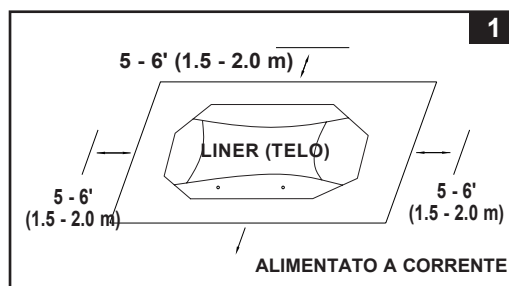
1. L'area dove porre la piscina deve essere **assolutamente piana e livellata**. Non montare la piscina su un pendio o su una superficie inclinata.
2. La superficie del terreno deve essere compatta e abbastanza solida per sopportare il peso di una piscina completamente allestita. **Non** montare la piscina su palta, sabbia o su un terreno cedevole o smosso.
3. Non montare la piscina su superfici rialzate, balconi o soppalchi per evitare che il peso della piscina faccia crollare tutto.
4. Intorno alla piscina devono esserci almeno 1,5 - 2,0 metri (5 - 6 piedi) di spazio senza oggetti su cui un bambino possa salire per accedere alla piscina da solo.
5. L'erba sotto la piscina si può rovinare. Gli spruzzi d'acqua possono rovinare la vegetazione circostante.
6. Se il pavimento non è in cemento (ad es. è in asfalto, erba o terra), è necessario posizionare un pezzo di legno trattato a pressione da 38 x 38 x 3 cm (15" x 15" x 1.2") sotto ciascun supporto a U in modo tale che sia **a filo** o a livello con il terreno. In alternativa, è possibile usare cuscinetti in acciaio o lastre in cemento rinforzato. Rivolgersi al proprio rivenditore della piscina per consigli sulle lastre di supporto su cui appoggiare le gambe della piscina.  
**NOTA:** In alternativa, è possibile usare cuscinetti in acciaio o lastre in cemento rinforzato. Non usare cuscinetti di supporto o lastre con superfici lisce e scivolose per evitare che il supporto laterale a U scivoli verso l'esterno; ciò può danneggiare la piscina e annullare la garanzia.
7. Eliminare prima qualsiasi tipo di erba. Certi tipi di erbe, come la St. Augustine e la Bermuda potrebbero crescere attraverso il fondo della piscina. L'erba potrebbe crescere attraverso il liner ma ciò non rappresenta un difetto di fabbricazione e non può rientrare nei termini di garanzia.
8. Un'area specifica faciliterà il drenaggio dell'acqua dopo ciascun utilizzo della piscina o posteriormente in fase di ricovero della piscina stessa.

## MONTAGGIO DELLA PISCINA (continua)

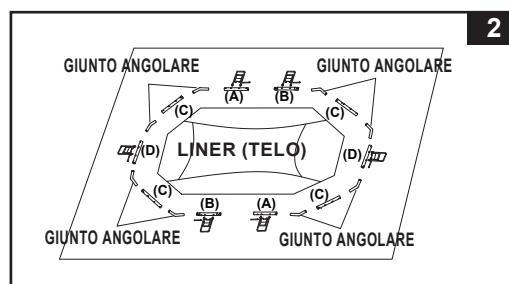
Questa piscina potrebbe essere stata acquistata con una pompa filtro Intex Krystal Clear™. La pompa filtro ha le istruzioni per l'installazione separate e deve essere montata dopo aver assemblato la piscina.

Tempo stimato di montaggio: 60-90 min (Nota bene: Il tempo di montaggio è approssimativo e può variare a seconda dell'individuo addetto all'assemblaggio).

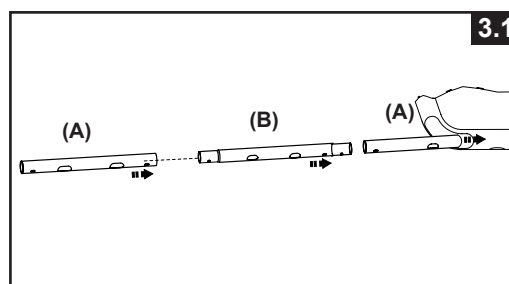
- Cercate un luogo in piano, senza pietre, rami o oggetti appuntiti che potrebbero danneggiare il liner e provocare ferite.
  - Aprire il cartone contenente il corpo della piscina, i giunti, i tubi di montaggio etc., molto attentamente poiché questo imballo potrà essere usato per riporre la piscina durante i mesi invernali o quando non in uso.
  - Disporre un telo (non incluso) sull'area sgombra. Togliere il liner (13) dal cartone e distenderlo sul telo base, facendo attenzione che la valvola per svuotare la piscina sia rivolta verso il luogo dove si eliminerà l'acqua a fine stagione. Posizionare la valvola di fuoriuscita dell'acqua lontano dalla casa. Il processo di riscaldamento renderà l'installazione della piscina più agevole. Fare attenzione che il telo perimetrale sia centrato sopra il telo di base. Assicurarsi di rivolgere le estremità dei tubi connettori verso una fonte elettrica. **ATTENZIONE: Non trascinare il telo sul terreno poiché potrebbe tagliarsi o strapparsi (vedi disegno 1).**
  - Durante il montaggio di questa piscina posizionare le bocchette dei tubi o le aperture nella direzione della presa elettrica. Il lato esterno della piscina allestita deve essere raggiungibile dal filo di corrente elettrica nel caso si acquisti la pompa filtro opzionale.



- Prendere tutte le parti e posizionarle sul terreno nel luogo in cui verranno assemblate. Controllare la lista delle parti e assicurarsi che tutti i pezzi da assemblare siano presenti (vedi disegno 2). **ATTENZIONE: Non iniziare ad assemblare se ci sono dei pezzi mancanti. Per il rimpiazzo di eventuali pezzi mancanti chiamare il customer service al numero di telefono corrispondente della Vs zona.** Dopo aver verificato la presenza di tutti i pezzi, toglierli dal telo perimetrale per rendere più facile l'installazione. **NOTA: Cospargere del talco in polvere sulle travi orizzontali prima di infilarle nel rivestimento della piscina. In questo modo saranno più facili da rimuovere durante il disassemblaggio della piscina.**

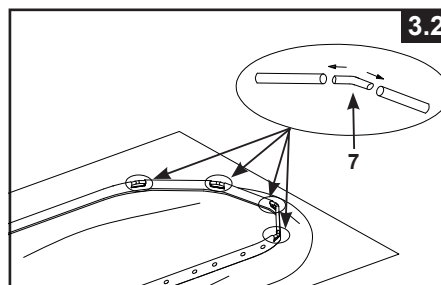


- Assicurarsi che il liner (telo) sia aperto in tutta la sua estensione sopra il telo base. Partendo da un lato, far scivolare l'asta "A" nell'apertura del manicotto posizionata ad ogni angolo. Continuare con l'asta "B" inserendola nella "A", procedere allo stesso modo con l'asta "A" inserendola nella "B" (vedi disegno 3.1). Mantenere i fori delle aste metalliche allineati con i fori del manicotto bianco del liner. Continuare inserendo tutte le aste "A-B-A" nelle aperture.

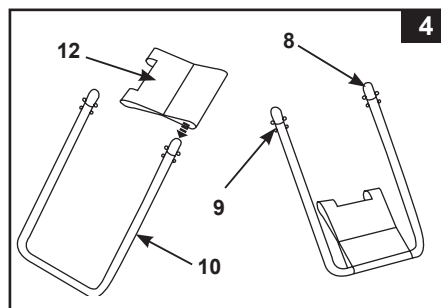


## MONTAGGIO DELLA PISCINA (continua)

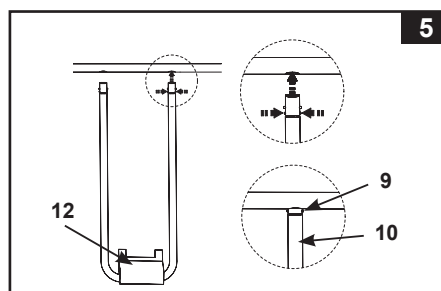
- Iniziare a unire i raccordi angolari dei lati corti della piscina inserendo un raccordo angolare (7) nella trave "A"; quindi infilare una trave "D" nell'apertura del rivestimento e sopra il raccordo angolare (7). Continuare inserendo tutti i raccordi angolari e le travi "D" (vedi disegno 3.2). (Assicurarsi per tutti e quattro i lati che i buchi nelle aste siano allineati con i buchi sui manicotti.)
- Il collegamento dell'ultimo giunto potrebbe risultare difficoltoso. Potete agganciarlo facilmente sollevando contemporaneamente il giunto e il tubo di più di 5 cm. Inserire il raccordo angolare nella trave posizionando i pezzi verso il basso. Il raccordo angolare si infilerà facilmente nella trave.



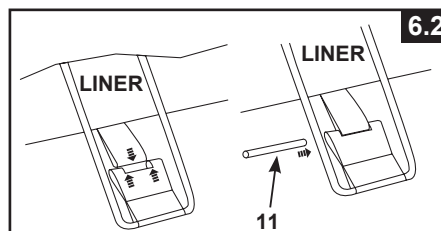
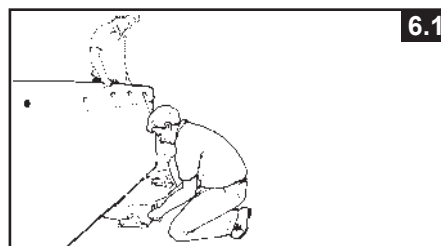
4. Far scorrere le fasce di contenimento (12) nei supporti laterali a U (10). Ripetere questa operazione per tutte le fasce di contenimento e i supporti a "U" (vedi disegno 4). **IMPORTANTE: Il telo perimetrale deve rimanere perfettamente steso per eseguire la prossima fase (5). Per questo motivo attorno alla piscina è necessario lasciare uno spazio di 1,5-2 metri.**



5. La parte superiore del supporto a "U" ha un doppio bottone a molla pre-installato. Inserire i supporti laterali nei buchi "A-B-A & D" spingendo il pulsante in basso verso l'interno con l'aiuto delle dita. In questo modo il supporto a "U" sarà incastrato nell'asta. A questo punto smettere di premere il bottone permettendo al supporto di scattare bloccandosi nell'asta. Ripetere questa procedura per tutti i supporti a "U" (vedi disegno 5).



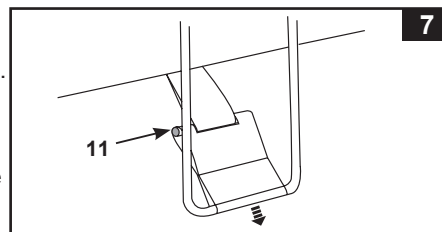
6. Con una persona all'interno della piscina alzare uno degli angoli, inserire l'asta di connessione (11) nelle aperture degli occhielli in modo da connettere le cinghie delle gambe alle cinghie del telo perimetrale. Ripetere l'operazione con l'altra fascetta del rivestimento e le fascette di fissaggio (vedi disegno 6.1 & 6.2).



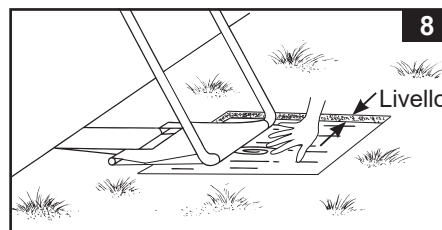


## MONTAGGIO DELLA PISCINA (continua)

7. Tirare la base del supporto laterale verso l'esterno in modo da allontanarla dal liner e tendere le fasce. Ripetere l'operazione per tutti i supporti a forma di "U" (vedi disegno 7).



8. Se il terreno non è di cemento ma è costituito da asfalto, terra o prato si deve piazzare un pezzo di legno compensato della misura di 38 x 38 x 3 cm sotto ogni gamba e orizzontale rispetto al terreno. I supporti laterali a forma di U devono essere posizionati al centro del legno compensato e con le venature del legno perpendicolari alla gamba del supporto (vedi disegno 8).

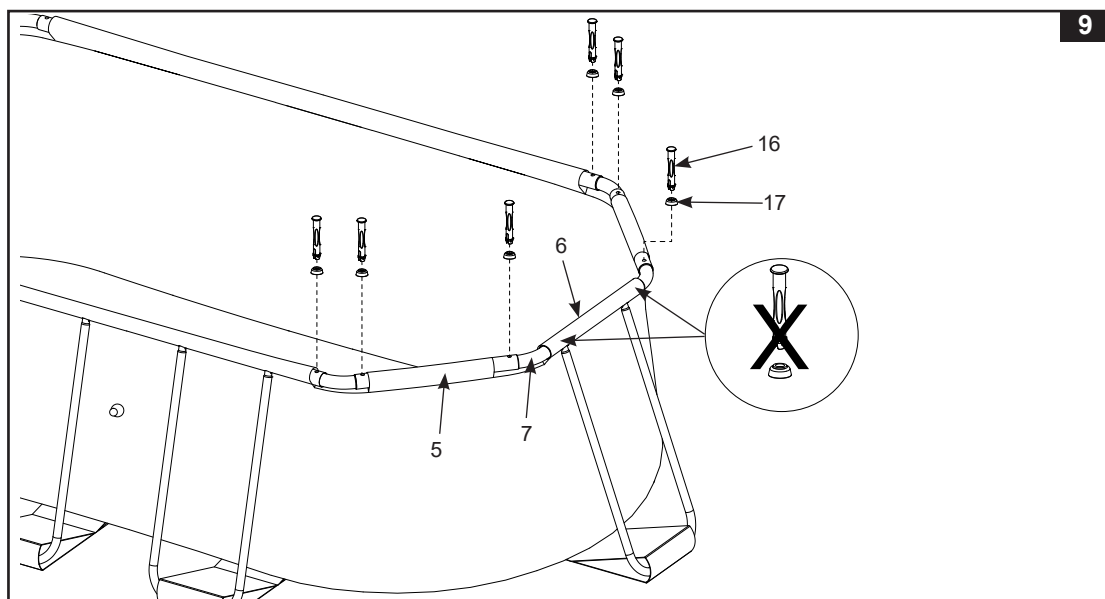


**NOTA:** Assicurarsi che ciascun cuscinetto di supporto sia incassato e a filo con il terreno; non deve essere semplicemente appoggiato sopra. Non usare cuscinetti di supporto o lastre con superfici lisce e scivolose per evitare che il supporto laterale a U scivoli verso l'esterno; ciò può danneggiare la piscina e annullare la garanzia.

9. Assicurarsi di aver installato la piscina correttamente. Partendo da uno dei lati corti, inserire un perno (16) nella guarnizione (17) e collegare il raccordo angolare (7) prima alla trave orizzontale, quindi alla trave "C" (5). La trave centrale "D" (6) è progettata per muoversi sui raccordi angolari (7); non inserire perni nei fori presenti tra la trave centrale "D" (6) i raccordi angolari (7). Ripetere questa procedura sull'altro lato corto della piscina.

Scuotere la piscina per assicurarsi che tutti i raccordi, le gambe e le travi siano collegati gli uni agli altri. Assicurarsi che tutti i perni siano in posizione premendoli nei fori (vedi disegno 9).

**IMPORTANTE:** La trave centrale "D" è progettata per essere mobile rispetto ai raccordi angolari, e non fissata ai raccordi angolari. Questo permette alle pareti laterali della piscina di spostarsi verso l'interno o verso l'esterno quando la piscina è in uso.



10. Montare la scala. La scala ha delle istruzioni di montaggio separate all'interno della scatola.
11. Dopo averla assemblata, posizionare la scaletta sopra uno dei lati mentre uno dei membri del team di installazione della piscina sta all'interno della piscina stessa in modo da stendere le possibili eventuali pieghe o crespature che venissero a formarsi sul fondo della piscina. Inoltre il membro del team di assemblaggio che sta all'interno della piscina controlla anche le due valvole di scarico che si trovano negli angoli della piscina stessa e si assicura che i tappi delle valvole di scarico siano inseriti nelle valvole. Questo membro del team di assemblaggio spinge, inoltre, ogni angolo dall'interno della piscina verso l'esterno.

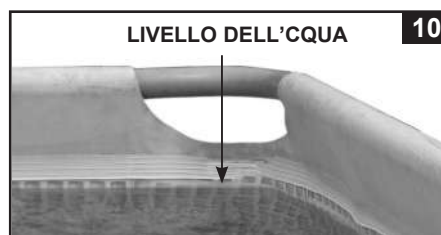
## MONTAGGIO DELLA PISCINA (continua)

12. Prima di riempire d'acqua la piscina, assicurarsi che la valvola di svuotamento all'interno ed il tappo all'esterno siano ben chiusi. Riempire la piscina con non più di 3cm circa, e vedere se c'è una sostanziale differenza nella pendenza della base della piscina. Assicurarsi inoltre che tutti i raccordi angolari (7) siano inseriti correttamente nelle travi prima di continuare a riempire la piscina con acqua.

**IMPORTANTE:** Se l'acqua tende a raccogliersi su un lato, la piscina non è completamente a livello. Se si monta la piscina su un terreno non in piano questa penderà lateralmente e si verificheranno rigonfiamenti anomali sui fianchi del liner. Se la piscina non è completamente a livello si deve togliere l'acqua, spostare la piscina, o creare il piano, e riempirla nuovamente.

Cominciare a lisciare le pieghe rimanenti dall'interno della piscina, spingendo verso l'esterno, dove si incontrano il fondo e il lato della piscina. Il procedimento può essere fatto anche dall'esterno, afferrando il fondo del liner e tirando verso di sé. Se continuano a rimanere pieghe questo lavoro deve essere effettuato in due. Ci si mette sui due lati opposti e si tira contemporaneamente.

13. Riempire d'acqua sotto la linea di saldatura interna (vedi disegno 10).  
**NOTA:** Le pareti laterali della piscina e la rispettiva struttura rimarranno in parte inclinati verso l'interno dopo aver riempito la piscina d'acqua fino al livello consigliato. Non preoccupatevi dell'inclinazione verso l'interno delle pareti laterali; ciò serve per regolare il movimento e la pressione dell'acqua quando la piscina è in uso.



## IMPORTANTE

Prima di far entrare qualcuno nella piscina, è bene fare una piccola riunione tra familiari e stabilire alcune regole base, che comprendano almeno le normali norme relative alla sicurezza dentro e fuori dall'acqua contenute in questo manuale. Ripetere le regole a tutti gli utilizzatori della piscina inclusi gli ospiti.

## LINEE GUIDA GENERALI PER LA SICUREZZA IN ACQUA

Lo svago in acqua è sia divertente sia terapeutico. In ogni caso può causare danni seri e addirittura la morte. Per ridurre il rischio di danni leggere e seguire tutte le istruzioni e le avvertenze riportate sul prodotto e sulla confezione ed inserite nella confezione stessa. Ricordare che comunque le avvertenze del prodotto, le istruzioni e le linee guida per la sicurezza trattano alcuni rischi comuni legati allo svago in acqua ma non riportano ogni possibile caso di rischio o pericolo.

Per un'ulteriore sicurezza prendere visione con le seguenti linee guida emanate e riconosciute dall'Organizzazione nazionale della sicurezza:

- Richiedere una costante sorveglianza. Si consiglia di nominare un adulto competente in qualità di "bagnino" soprattutto in presenza di bambini dentro o intorno alla piscina.
- Imparare a nuotare;
- Dedicare del tempo per imparare le norme per il primo soccorso.
- Informare le persone addette al controllo della piscina sui possibili danni che possono verificarsi durante l'uso della piscina e sull'utilizzo dei dispositivi di protezione come porte chiuse a chiave, barriere o altro.
- Informare tutti gli utenti, compresi i bambini, sulle azioni da adottare in caso di emergenza.
- Usare sempre il buon senso quando ci si diverte in acqua.
- Sorvegliare, sorvegliare, sorvegliare.

## MANUTENZIONE E UTILIZZO DI PRODOTTI CHIMICI

### ⚠ ATTENZIONE

#### RICORDARE DI

- Evitare ai bagnanti malattie derivanti dall'acqua tenendo la piscina pulita. Non ingoiare l'acqua della piscina e mantenete l'igiene.
- Conservare la piscina in luogo asciutto e pulito. Assicurarsi che il fondo della piscina sia sempre ben visibile dalla barriera all'accesso della piscina.
- Tenere fuori dalla portata dei bambini i teli copri piscina al fin e di evitare aggrovigliamenti, annegamento o altre gravi conseguenze.

#### Manutenzione dell'acqua

Mantenere il corretto equilibrio chimico dell'acqua è un fattore di primaria importanza per massimizzare la durata della piscina e del liner e per avere l'acqua pulita e sana. Per testare l'acqua è importante avere gli strumenti adatti. Consultare i negozi specializzati per i prodotti chimici, per le procedure per il controllo dell'acqua e seguirne attentamente le istruzioni.

1. Non permettere che il cloro venga a contatto con il liner prima che sia totalmente dissolto. La pastiglia di cloro deve sciogliersi prima in un secchio d'acqua. Allo stesso modo il cloro liquido, se versato in vari punti attorno piscina deve essere mischiato immediatamente con l'acqua della piscina stessa.
2. Non mischiare mai i prodotti chimici. Piuttosto aggiungere ogni prodotto separatamente e farlo dissolvere nell'acqua prima di aggiungerne altri.
3. Uno skimmer e un aspiratore sono disponibili per contribuire a mantenere l'acqua pulita. Contattare il distributore per l'acquisto di questi accessori.
4. Non usare compressori a getto d'acqua per pulire la piscina.

## RISOLUZIONE PROBLEMI

PROBLEMA	DESCRIZIONE	CAUSA	RIMEDIO
ACQUA	<ul style="list-style-type: none"> <li>• Acqua di colore tendente al verde.</li> <li>• Macchie nere e/o verdi sul liner.</li> <li>• Liner scivoloso e/o maleodorante.</li> </ul>	<ul style="list-style-type: none"> <li>• Scorretta quantità di cloro e livello del Ph.</li> </ul>	<ul style="list-style-type: none"> <li>• Aggiunta di cloro con trattamento d'urto e mantenimento del corretto livello del Ph.</li> <li>• Fondo aspirato.</li> <li>• Mantenere il giusto livello di cloro.</li> </ul>
COLORATA	<ul style="list-style-type: none"> <li>• L'acqua diventa blu, marrone o nera dopo un primo trattamento con il cloro.</li> </ul>	<ul style="list-style-type: none"> <li>• Rame, ferro o manganese si sono ossidati in acqua per l'aggiunta di cloro.</li> </ul>	<ul style="list-style-type: none"> <li>• Ripartire il Ph al valore raccomandato.</li> <li>• Lasciare in funzione la pompa fino a che l'acqua è pulita.</li> <li>• Sostituire le cartucce spesso.</li> </ul>
MATERIALE GALLEGGIANTE IN ACQUA	<ul style="list-style-type: none"> <li>• L'acqua è bianca e torbida.</li> </ul>	<ul style="list-style-type: none"> <li>• "L'acqua pesante" è causata dal valore del Ph troppo alto.</li> <li>• Il contenuto di cloro è troppo basso.</li> <li>• Materiale estraneo in acqua.</li> </ul>	<ul style="list-style-type: none"> <li>• Valore corretto del Ph da verificare con fornitore in base al trattamento dell'acqua.</li> <li>• Corretto livello di cloro.</li> <li>• Pulire o sostituire i filtri.</li> </ul>
BASSO LIVELLO D'ACQUA	<ul style="list-style-type: none"> <li>• Il livello dell'acqua è più basso dei giorni precedenti.</li> </ul>	<ul style="list-style-type: none"> <li>• Lacerazione o foratura del liner o dei tubi della pompa. Stringere il tappo.</li> </ul>	<ul style="list-style-type: none"> <li>• Riparare con l'apposito kit.</li> <li>• Stringere manualmente tutti i tappi.</li> <li>• Sostituire le pompe.</li> </ul>
DEPOSITO SUL FONDO	<ul style="list-style-type: none"> <li>• Sporczia o sabbia sul fondo.</li> </ul>	<ul style="list-style-type: none"> <li>• Uso frequente, entrare/uscire spesso dall'acqua.</li> </ul>	<ul style="list-style-type: none"> <li>• Usare l'aspiratore in dotazione per pulire il fondo.</li> </ul>
DETRITI IN SUPERFICIE	<ul style="list-style-type: none"> <li>• Foglie, insetti...</li> </ul>	<ul style="list-style-type: none"> <li>• Piscina troppo vicina agli alberi.</li> </ul>	<ul style="list-style-type: none"> <li>• Utilizzare lo skimmer in dotazione.</li> </ul>

## MANUTENZIONE DELLA PISCINA & SVUOTAMENTO



### ATTENZIONE

SEGUIRE SEMPRE LE DISPOSIZIONI DI CHI VI VENDE I PRODOTTI CHIMICI E PRENDERE TUTTE LE PRECAUZIONI A TUTELA DELLA SALUTE.

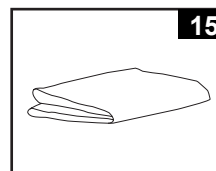
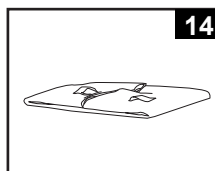
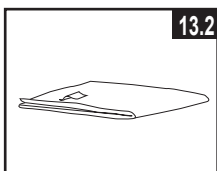
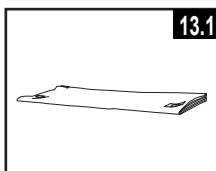
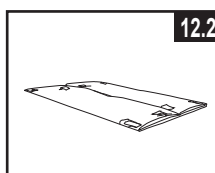
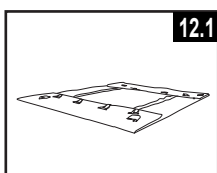
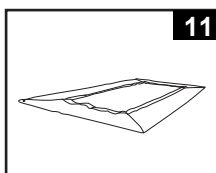
**Non aggiungere prodotti chimici mentre la piscina è occupata: CIO' potrebbe provocare irritazioni cutanee o agli occhi.** Un'eccessiva concentrazione di cloro potrebbe danneggiare il liner. In nessun caso il compratore potrà rivalersi su Intex, eventuali aziende associate, agenti autorizzati, servizi assistenza, rivenditori o dipendenti potranno chiedere rimborsi per danni legati alla perdita dell'acqua o all'utilizzo di prodotti chimici. **Tenere a disposizione le cartucce filtro. Cambiarle ogni 2 settimane. Si raccomanda l'utilizzo di una pompa filtro Intex per tutte le piscine fuori terra.**

**IN CASO DI PIOGGIA ECCESSIVA: Per evitare danni alla piscina e straripamenti, eliminare l'acqua piovana in eccesso che causa l'innalzamento del livello dell'acqua oltre il limite consentito.**

**Come svuotare la vostra piscina e conservarla correttamente**

**ATTENZIONE:** Questa piscina ha due valvole di drenaggio agli angoli. Collegare il tubo flessibile da giardino alla valvola d'angolo che indirizza l'acqua nella direzione corretta.

1. Verificare eventuali direttive locali riguardo l'eliminazione dell'acqua di riempimento della piscina.
2. Assicurarsi che la valvola di svuotamento all'interno della piscina sia in posizione corretta.
3. Togliere il tappo della valvola di svuotamento sulla parete esterna della piscina.
4. Attaccare l'estremità della canna per irrigare il giardino all'adattatore in dotazione.
5. Posizionare l'altra estremità del tubo in un punto lontano dalla casa dove l'acqua possa fuoriuscire dalla piscina in tutta sicurezza.
6. Attaccare l'adattatore alla valvola di svuotamento. **N.B. L'adattatore spingerà la valvola di svuotamento aperta all'interno della piscina e l'acqua inizierà a fuoriuscire immediatamente.**
7. Quando l'acqua sarà uscita tutta, cominciare a sollevare la piscina dal lato opposto da cui è stata fatta evacuare l'acqua togliendo eventuali residui d'acqua e svuotare la piscina completamente.
8. Una volta finito staccare il tubo e l'adattatore.
9. Reinserrire la presa nella valvola di svuotamento all'interno della piscina per conservarla fuori stagione.
10. Rimettere il tappo di svuotamento fuori dalla piscina.
11. Seguire le istruzioni a ritroso per smontare la piscina e togliere tutte le parti relative all'impianto idraulico.
12. Assicurarsi che la piscina e tutte le sue parti siano perfettamente asciutte prima di essere immagazzinate. Asciugare bene la vasca al sole fino alla sua completa asciugatura prima di riporla dopo l'uso (**vedi disegno 11**). Spargere del talco per evitare che le parti in PVC si attacchino e per assorbire eventuali residui d'acqua.
13. Creare una forma rettangolare. Iniziando da un lato, piegare un sesto del liner su se stesso due volte. Fare la stessa cosa sul lato opposto (**vedi disegni 12.1/12.2**).
14. Una volta piegati i lati opposti, è sufficiente piegarli uno sopra l'altro come se chiudeste un libro (**vedi disegni 13.1/13.2**).
15. Piegare il fondo dei due lati lunghi verso il centro (**vedi disegno 14**).
16. Piegare una parte sull'altra come se si chiudesse un libro e compattare il liner (**vedi disegno 15**).
17. Riporre il liner a gli accessori in un luogo asciutto e con una temperatura tra i 0 e i 40 gradi centigradi (32 - 104 gradi Fahrenheit).
18. La confezione di cartone può essere usata per riporre e conservare la piscina.



## RIMESSAGGIO PER L'INVERNO

### Riporre per l'inverno la Piscina Fuori Terra

La piscina può essere facilmente svuotata e riposta in un luogo sicuro durante l'inverno. La piscina deve essere svuotata, smontata e correttamente riposta in luogo asciutto e pulito in inverno quando le temperature scendono sotto i 5 gradi Celsius, per evitare danni da ghiaccio alla piscina. Il ghiaccio potrebbe causare la rottura improvvisa del liner o il collasso della piscina. Vedere la sezione "Come asciugare la piscina".

Solo nel caso in cui nella propria zona le temperature non scendono mai sotto i 5 gradi Celsius e si sceglie di non smontare la piscina, occorre preparare la piscina come segue:

1. Pulire attentamente l'acqua della piscina (se si tratta di una piscina Easy set, assicurarsi che l'anello superiore sia correttamente gonfiato).
2. Rimuovere lo skimmer (se lo si possiede) o qualsiasi altro accessorio che si colleghi alla bocchetta di uscita dell'acqua. Riposizionare la griglia se necessario. Assicurarsi che tutte le parti degli accessori siano perfettamente pulite e asciutte.
3. Chiudere la bocchetta di ingresso e uscita dell'acqua dall'interno della piscina, utilizzando il tappo fornito (piscine da 488 cm di diametro in giù). Chiudere le valvole plunger (per piscine da 518 cm di diametro in su).
4. Rimuovere la scaletta (se la si possiede) e riporla in un luogo sicuro. Assicurarsi che la scaletta sia completamente asciutta prima di riporla.
5. Rimuovere i tubi che connettono la pompa filtro alla piscina.
6. Aggiungere gli appropriati prodotti chimici. Consultare il proprio rivenditore di piscine, in quanto ci sono molte differenze tra le varie regioni.
7. Coprire la piscina con il Telo di Copertura Intex. **IMPORTANTE: IL TELO DI COPERTURA INTEX NON E' UNA COPERTURA DI SICUREZZA.**
8. Pulire e asciugare l'interno e l'esterno della pompa filtro e i tubi. Rimuovere e buttare la vecchia cartuccia filtro usata (tenere una nuova cartuccia di scorta per la stagione futura).
9. Tenere la pompa filtro e le altre parti al chiuso e riporle in un luogo sicuro ed asciutto tra i 0 e i 40 gradi Centigradi (32 - 104 gradi Fahrenheit).

## GARANZIA LIMITATA

La tua piscina Intex è stata prodotta con l'utilizzo dei materiali e mano d'opera di alta qualità. Tutti i prodotti Intex sono stati ispezionati e trovati privi di difetti prima dell'uscita dalla fabbrica. Questa garanzia si applica solo alle Piscine Intex.

Questa garanzia si aggiunge a, e non è in sostituzione di, i vostri diritti di legge. Qualora questa garanzia non rispetti i vostri diritti di legge, questi ultimi hanno la priorità. Ad esempio, le leggi a tutela dei consumatori all'interno dell'Unione Europea, prevedono dei diritti di legge aggiuntivi alla copertura prevista da questa garanzia. Per conoscere i diritti garantiti dalla UE, visitate il sito: [http://ec.europa.eu/consumers/ecc/contact\\_en/htm](http://ec.europa.eu/consumers/ecc/contact_en/htm).

Le condizioni di questa garanzia sono da considerarsi valide soltanto per l'acquirente originale e non è trasferibile. La garanzia è valida per il periodo riportato sotto a partire dalla data d'acquisto. Conservate la ricevuta con il manuale e la garanzia altrimenti, in caso di reclami, quest'ultima verrà ritenuta invalida.

### Garanzia della struttura e del liner della piscina - 1 Anno

Se un difetto di fabbrica dovesse insorgere entro i 1 anno dall'acquisto, pregate di contattare il Centro Assistenza appropriato tra quelli elencati nella pagina "Centri Assistenza Autorizzati". Se il prodotto è restituito, come suggerito dal Centro di Servizio Intex, esso verrà controllato e ispezionato per determinare la veridicità del reclamo. Se il prodotto è coperto dalle disposizioni della garanzia, il prodotto verrà riparato o sostituito, con lo stesso prodotto o un altro di valore simile (a scelta di Intex), senza nessun costo aggiuntivo per il cliente finale.

Oltre a questa garanzia e ad eventuali altri diritti garantiti dal rispettivo paese di appartenenza, non sono previste ulteriori garanzie. Anche se previsto dal paese di appartenenza, in nessun caso Intex sarà responsabile nei confronti dell'utente o di terzi per danni diretti o indiretti derivanti dall'uso della piscina Intex, o per azioni da parte di Intex, suoi agenti e suoi dipendenti (compresa la fabbricazione del prodotto). Alcuni paesi o giurisdizioni non consentono l'esclusione o la limitazione dei danni incidentali o consequenziali, pertanto la suddetta limitazione o esclusione potrebbe non applicarsi a voi.

La presente garanzia non trova applicazione qualora:

- Se la piscina Intex è soggetta a negligenza, utilizzo o applicazioni non idonee, incidenti, per operazioni improprie, manutenzione o conservazione non corretta;
- Se la piscina Intex è soggetta a danneggiamento a causa di circostanze non controllabili da Intex, incluse ma non limitate a, normale usura e danni causati da esposizione al fuoco, inondazioni, gelo, pioggia o altri eventi atmosferici;
- Per parti e componenti non vendute da Intex; e/o
- Per modifiche non autorizzate, riparazioni o smontaggio della piscina Intex da soggetti diversi del personale del centro assistenza Intex.

I costi sostenuti per la perdita d'acqua della piscina, additivi chimici o danni idrici non vengono coperti dalla garanzia. Danni a persona o a cosa non vengono coperti da questa garanzia.

Leggere attentamente il manuale e seguire le istruzioni relative al funzionamento e manutenzione delle piscine INTEX. Controllare sempre il prodotto prima dell'uso. La garanzia può decadere se non vengono seguite le avvertenze.

## BELANGRIJKE VEILIGHEIDSINSTRUCTIES

Lees de handleiding zorgvuldig voordat u het product gebruikt. Volg alle instructies nauwkeurig op. Bewaar de instructies.

# PRISM FRAME™ HOOGWAARDIG OVALEN ZWEMBAD

157-1/2" x 78-3/4" x 48" (400 cm x 200 cm x 122 cm)

157-1/2" x 78-3/4" x 39-3/8" (400 cm x 200 cm x 100 cm)



Enkel voor illustratieve doeleinden. Accessoires zouden niet bij het zwembad inbegrepen kunnen zijn.

Probeer ook eens onze andere Intex producten, zoals: zwembad accessoires, opblaasbare zwembaden, speelgoed voor binnenshuis, luchtbedden en boten. Te verkrijgen bij de betere speelgoed- en zwembadwinkels. Of kijk eens op onze website. Door ons streven naar continue productverbeteringen heeft Intex het recht productspecificaties en ontwerpen zonder kennisgeving te wijzigen, wat zou kunnen resulteren in wijzigingen in de handleiding.

## INTEX®

©2020 Intex Marketing Ltd. - Intex Development Co. Ltd. - Intex Recreation Corp. All rights reserved/Tous droits réservés/Todos los derechos reservados/Alle Rechte vorbehalten. Printed in China/Imprimé en Chine/Impreso en China/Gedruckt in China.

®™ Trademarks used in some countries of the world under license from/®™ Marques utilisées dans certains pays sous licence de/ Marcas registradas utilizadas en algunos países del mundo bajo licencia de/Warenzeichen verwendet in einigen Ländern der Welt in Lizenz von/Intex Marketing Ltd. to/à/a/an Intex Development Co. Ltd., G.P.O Box 28829, Hong Kong & Intex Recreation Corp., P.O. Box 1440, Long Beach, CA 90801 • Distributed in the European Union by/Distribué dans l'Union Européenne par/Distribuido en la unión Europea por/Vertrieb in der Europäischen Union durch/Intex Trading B.V., Venneveld 9, 4705 RR Roosendaal – The Netherlands [www.intexcorp.com](http://www.intexcorp.com)

## INHOUD

<b>Waarschuwing / Veiligheidsvoorschriften.....</b>	<b>3-4</b>
<b>Onderdelen lijst.....</b>	<b>5</b>
<b>Montage zwembad.....</b>	<b>6-10</b>
<b>Algemene veiligheidsregels.....</b>	<b>10</b>
<b>Onderhoud en chemicaliën.....</b>	<b>11</b>
<b>Oplossen van problemen.....</b>	<b>11</b>
<b>Onderhoud &amp; waterafvoer .....</b>	<b>12</b>
<b>Winterklaar maken.....</b>	<b>13</b>
<b>Garantie.....</b>	<b>14</b>

### **Voordat u begint:**

*Wij feliciteren u met de aanschaf van uw Intex zwembad. Neem eerst de tijd om deze handleiding goed door te lezen voordat u het bad opzet. Met de informatie kunt u de levensduur van het bad verlengen en het gebruik van het bad leuker en veiliger maken voor u en uw familie. Wij raden u aan om het bad met 2 á 4 mensen op te zetten.*

*Er is geen gereedschap nodig om dit product te installeren.*



# VEILIGHEIDSVOORSCHRIFTEN

Lees de instructies zorgvuldig. Volg ze nauwkeurig op bij de installatie en in gebruikname van uw product.

## WAARSCHUWING

- **Voortdurend en degelijk toezicht door een volwassene is te allen tijde vereist.**
- Neem de nodige voorzorgsmaatregelen, opdat onbedoeld gebruik of gebruik zonder toezicht onmogelijk is.
- Neem dusdanige maatregelen, dat kleine kinderen en dieren geen toegang hebben tot het bad of de ruimte eromheen.
- Bad en accessoires dienen slechts door volwassenen opgebouwd/in elkaar te worden gezet.
- Nooit duiken, springen of glijden in een opzet bad of ander ondiep water.
- Zorg dat uw zwembad opgezet wordt op stevige egale ondergrond, zo voorkomt u instorting wanneer het bad te ver gevuld wordt met water.
- Niet tegen de opblaasrand (laten) leunen of duwen, niet op de opblaasrand (laten) zitten om verwonding of overstroming te voorkomen.
- Verwijder alle speelgoed of drijvende voorwerpen uit en rondom het bad, wanneer het bad niet in gebruik is. Voorwerpen in en rond het bad trekken de aandacht van kinderen.
- Houd voorwerpen waar kinderen op kunnen klimmen (zoals stoelen, tafels en groot speelgoed) op ten minste 1,2 meter afstand van het bad.
- Zorg voor reddingsmiddelen in de directe nabijheid van het bad. Voorbeelden hiervan zijn: een reddingsboei met lijn en een stevige lange stok (minimaal 3,66 meter). Zorg er voor dat u alarmnummers altijd bij de hand heeft.
- Ga nooit alleen zwemmen en laat ook anderen nooit alleen zwemmen.
- Houd uw zwembad schoon en helder. De gehele bodem moet te allen tijde van buiten het bad te zien zijn.
- Als u 's nachts gaat zwemmen, zorg er dan voor dat de zwembadtrap, bodem van het bad, looppaden en eventuele veiligheidsborden adequaat verlicht zijn.
- Blijf uit de buurt van het bad bij gebruik van alcohol en drugs.
- Houd kinderen uit de buurt van afdekzeilen om verstrikking, verdrinking of verwondingen te voorkomen.
- Afdekzeilen dienen geheel te worden verwijderd, alvorens het bad in gebruik te nemen. Kinderen en volwassenen zijn onder het zeil niet zichtbaar.
- Bad niet geheel of gedeeltelijk afdekken als het in gebruik is.
- Houd het bad en omgeving schoon en vrij van rommel. U voorkomt hiermee mogelijke verwondingen door struikelen, uitglijden en vallen.
- Bescherm de zwembadgebruikers tegen aandoeningen ontstaan door vuil water. Houd het water hygiënisch schoon en slik het badwater niet door.
- Alle baden zijn onderhevig aan slijtage en veroudering. Het is hiervoor erg belangrijk dat u uw zwembad regelmatig en zorgvuldig onderhoud. Achterstallig onderhoud, versleten onderdelen, verzwakken het bad met als gevolg dat het kan instorten.
- Dit zwembad dient enkel buitenshuis geplaatst te worden.
- Maak het product volledig leeg wanneer u het gedurende een lange periode niet zult gebruiken. Bewaar het lege product vervolgens op een veilige plaats zodat het geen water van regen of een andere bron kan opvangen en niet door felle wind kan worden weggeblazen. zie instructies voor opbergen.
- Tijdens gebruik van uw zwembad dient u de filterpomp dagelijks een voldoende aantal uren aan te zetten. Het zwemwater dient minimaal één keer per dag geheel verschoond te worden. Controleer de handleiding van de pomp op het aantal benodigde uren.

**HEKKEN EN AFDEKZEILEN ZIJN GÉÉN ALTERNATIEF VOOR HET VOORTDURENDE TOEZICHT DOOR EEN VOLWASSENE. LAAT KINDEREN ALLEEN GEBRUIK MAKEN VAN HET ZWEMBAD ONDER TOEZICHT VAN EEN VOLWASSENEN.**

**HET NEGEREN VAN DEZE WAARSCHUWINGEN KAN RESULTEREN IN SCHADE AAN GOEDEREN EN/OF ERNSTIGE, OF ZELFS FATALE VERWONDINGEN.**

### **Advies:**

Sommige landen hanteren speciale regels met betrekking tot opzetzwembaden. Denk hierbij aan het plaatsen van een hek/afrastering, verlichting of andere veiligheidsregels. Informeer bij uw gemeente of dit ook geldt in uw land.

# VEILIGHEIDSVOORSCHRIFTEN

Lees de instructies zorgvuldig. Volg ze nauwkeurig op bij de installatie en in gebruikname van uw product. In deze waarschuwingen, instructies en veiligheidsrichtlijnen worden enkele risico's van waterrecreatie benoemd, het is echter niet mogelijk alle risico's en gevaren te benoemen. Wees alert en gebruik uw gezond verstand en beoordelingsvermogen tijdens activiteiten in het water. Bewaar de instructies. Lees de verpakking zorgvuldig en bewaar deze goed. Verdere waarschuwingen zijn op het product weergegeven.

## Algemeen

- Controleer pinnen, schroeven en/of moeren regelmatig op roest, splinters en scherpe randjes om ongelukken te voorkomen.

## Veiligheid van ongeschoolde zwemmers

- Continu en waakzaam toezicht van een competente volwassene is te allen tijde vereist bij slechte en ongeschoolde zwemmers (verdrinkingsgevaar is hoger voor kinderen jonger dan vijf jaar).
- Zorg iedere keer dat het zwembad gebruikt wordt voor toezicht van een competente volwassene.
- Het is raadzaam slechte en ongeschoolde zwemmers te voorzien van individuele beschermingsmiddelen.
- Verwijder al het speelgoed in en om het zwembad indien het zwembad niet gebruikt wordt en er geen toezicht is.

## Veiligheidsvoorzieningen

- Het is aangeraden een omheining te plaatsen (en indien van toepassing alle ramen en deuren af te sluiten) zodat onbevoegden het zwembad niet kunnen betreden.
- Omheiningen, afdekkingen, zwembad alarmen of vergelijkbare veiligheidsvoorzieningen zijn handige hulpmiddelen maar vervangen constant toezicht van een competente volwassene niet.

## Veiligheidsvoorzieningen

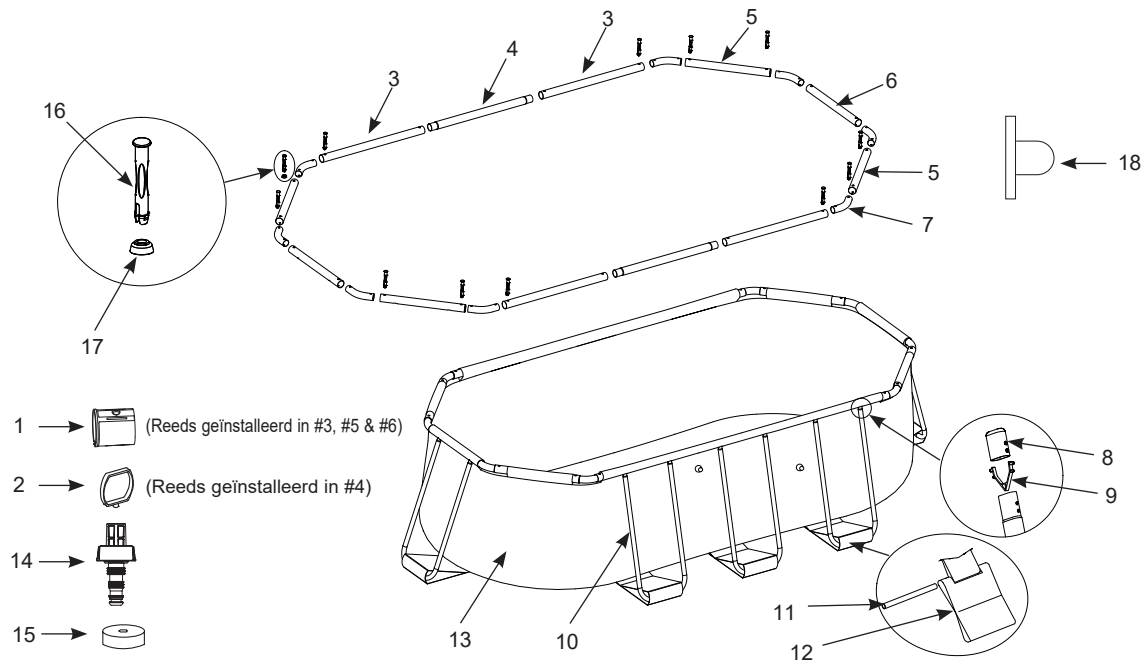
- Het is aan te raden redding materiaal zoals een reddingsboei in de buurt van het zwembad paraat te houden.
- Zorg ervoor dat er een werkende telefoon voor noodgevallen in de buurt van het zwembad aanwezig is.

## Veilig gebruik maken van het zwembad

- Moedig alle gebruikers, vooral kinderen, aan om te leren zwemmen.
- Zorg dat u eerste hulp kunt toepassen.
- Instrueer alle zwembadgebruikers, ook kinderen, hoe te handelen bij een noodgeval.
- Duik nooit in ondiepe wateren, dit kan leiden tot letsel.
- Gebruik geen alcohol of medicatie welke invloed kan hebben op het veilig gebruiken van het zwembad.
- Indien u gebruik maakt van een afdekzeil zorg er dan voor dat deze volledig van het zwembad verwijderd is alvorens u het bad gebruikt.
- Bescherm de zwembadgebruikers tegen water gerelateerde ziekten en zorg voor schoon en hygiënisch water door gebruik van zwembad chemicaliën en desinfectie.
- Bewaar zwembad chemicaliën en desinfectie producten buiten bereik van kinderen.
- Verwijderbare trappen dienen op een horizontale oppervlakte geplaatst te worden.
- Volg de op de wand van het zwembad gedrukte veiligheidsinstructies.

## ONDERDELEN LIJST (vervolg)

Alvorens het bad in elkaar te zetten, kijk eerst goed naar de diverse onderdelen en controleer of ze allemaal aanwezig zijn.



**NB:** De tekeningen zijn illustratief en niet op schaal. Kunnen afwijken van bijgesloten product.

NR.	OMSCHRIJVING	157-1/2" x 78-3/4" x 48" (400 cm x 200 cm x 122 cm)		157-1/2" x 78-3/4" x 39-3/8" (400 cm x 200 cm x 100 cm)	
		AANTAL	ONDERDEEL NR.	AANTAL	ONDERDEEL NR.
1	PLASTIC PIN VOOR HORIZONTALE HOEKBUIS	16	12795	16	12795
2	ENKELE SPRINGPIN	4	10381	4	10381
3	HORIZONTALE BUIS (A) (INCLUSIEF KUNSTSTOF INZETSTUK)	4	12747G	4	12747
4	HORIZONTALE BUIS (B) (INCLUSIEF ENKELE SPRINGPIN)	2	12748G	2	12748
5	HORIZONTALE BUIS (C) (INCLUSIEF KUNSTSTOF INZETSTUK)	4	13008G	4	13008
6	HORIZONTALE BUIS (D) (INCLUSIEF KUNSTSTOF INZETSTUK)	2	12793G	2	12793
7	HOEKVERBINDINGSSTUK	8	12794G	8	12794
8	AFDEKKAP ZIJSTEUN	16	10379	16	10379
9	DUBBELE SPRINGPIN	16	10382	16	10382
10	U-VORMIGE ZIJSTEUN (INCLUSIEF AFDEKKAP ZIJSTEUN & DUBBELE SPRINGPIN)	8	12570G	8	12167
11	VERBINDINGSSTAAF	8	10383	8	10383
12	SPANFLAP	8	12217W	8	12217A
13	LINER (INCLUSIEF AFSLUITDOP VOOR WATERAFVOER)	1	13004W	1	12796
14	WATERAFVOER VERLOOPSTUK	1	10201	1	10201
15	AFSLUITDOP VOOR WATERAFVOER	2	11044	2	11044
16	PINNEN (MET 2 EXTRA)	14	12136	14	12136
17	RUBBER AFSLUITRING (MET 2 EXTRA)	14	10648	14	10648
18	STOP VOOR WATERUITLAAT (MET 1 EXTRA)	3	10127	3	10127

## MONTAGE ZWEMBAD

### BELANGRIJKE INFORMATIE PLAATSING ZWEMBAD

#### WAARSCHUWING

- Plaats het bad zo dat er niet onbevoegd of zonder ouderlijk toezicht kan worden gezwommen.
- Neem maatregelen zodat kleine kinderen en dieren geen toegang hebben tot het bad of de ruimte eromheen.
- Plaats uw zwembad op stevige egale ondergrond en vul het bad tot in de handleiding aangegeven hoogte om instorting te voorkomen.
- Voorkom het risico van een elektrische shock en sluit uw filterpomp enkel aan op een geaard stopcontact. Verklein verder de kans op elektrische shock door geen verlengsnoeren, timers, adapters te gebruiken bij het aansluiten van de filterpomp. Plaats het snoer daar waar deze niet beschadigd kan worden door onder meer grasmaaiers en heggenscharen. Lees de handleiding van uw filterpomp voor aanvullende waarschuwingen en instructies.
- Zet het bad niet op in extreme harde wind i.v.m. kans op letsel.

#### Houd het volgende in gedachte bij de locatiekeuze van uw bad:

1. Plaats uw zwembad op een vlakke, niet hellende ondergrond.
2. De ondergrond dient stevig en vast genoeg te zijn om de druk en het gewicht van een gevuld zwembad te dragen. Zet het bad niet op op zachte, drassige, zanderige of losse grond.
3. Plaats het bad niet op een veranda, balkon of verhoging i.v.m. instortingsgevaar.
4. Plaats geen objecten binnen een straal van 1,5 tot 2,0 meter van het zwembad. Kinderen kunnen namelijk met behulp hiervan in het zwembad klimmen.
5. Gras onder het zwembad zal beschadigen. Verwacht dat het gebruik van het zwembad uw gras en tuinbeplanting beschadigt.
6. Als de ondergrond geen beton is (het is bijv. asphalt, gazon of aarde), breng dan een onder druk behandeld stuk hout, van 38 x 38 x 3cm (15" x 15" x 1,2") groot, onder elke U-vormige steun en stel het **gelijk** of vlak met de grond. U kunt tevens platen van staal of versterkt beton gebruiken. Neem contact op met uw zwembadleverancier voor meer informatie over de juiste hulpmiddelen.  
**NB:** Gebruik geen steunen of platen op een gladde en effen oppervlak, de U-vormige steun zal naar buiten schuiven, waardoor het zwembad beschadigd zal worden en de garantie teniet zal gaan.
7. Verwijder agressieve grassoorten alvorens u het bad opzet. Let op: Bepaalde soorten gras, zoals St. Augustine en Bermuda, kunnen door het zeil groeien. Gras dat door de liner heen groeit is geen fabricage fout en valt niet onder garantie.
8. Zorg dat u het bad opzet op een locatie waarbij rekening wordt gehouden met het weg laten lopen van het zwemwater aan het einde van het seizoen (denk aan een putje).

## MONTAGE ZWEMBAD (vervolg)

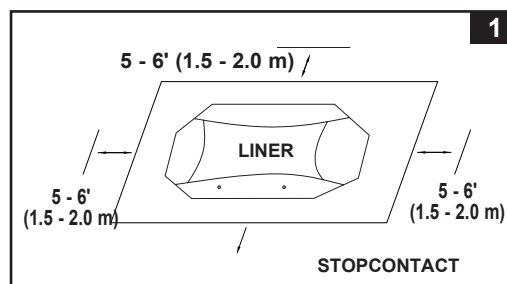
U heeft dit zwembad waarschijnlijk samen met een Intex Krystal Clear™ filterpomp gekocht. Bij de pomp zit ook een handleiding. Installeer de pomp na het opzetten van het bad.

Geschatte tijd van opbouwen: 60-90 min. (let op dit is slechts een geschatte tijd, wanneer u het bad alleen opzet duurt het langer voordat u klaar bent)

- Plaats uw zwembad op een vlakke, niet hellende ondergrond die vrij is gemaakt van steentjes, stokjes of andere scherpe voorwerpen die het zwembadzeil zouden kunnen beschadigen of letsel kunnen veroorzaken.
  - Open de doos met de liner, verbindingstukken en buizen etc. voorzichtig zodat de doos gebruikt kan worden om het zwembad op te bergen gedurende de wintermaanden of wanneer het zwembad niet gebruikt wordt.

- Leg een grondzeil (niet inbegrepen) op het vrijgemaakte gebied open. Haal de liner (13) uit de verpakking en spreid deze uit over een grondzeil, met het uitloopventiel richting een afvoer. Draai het bad zó, dat het water uitloopventiel NIET naar huis/bebouwing toewijst. Een warme "liner" is gemakkelijker op te zetten. Zorg ervoor, dat de "liner" in het midden van het grondzeil ligt. Zorg ervoor, dat die kant van het bad met de 2 wandaansluitingen wijst naar de kant, waar u de filterpomp kunt aansluiten.

**BELANGRIJK: Sleep de "liner" niet over de grond, dit kan lekkages of beschadigingen veroorzaken (zie afbeelding 1).**



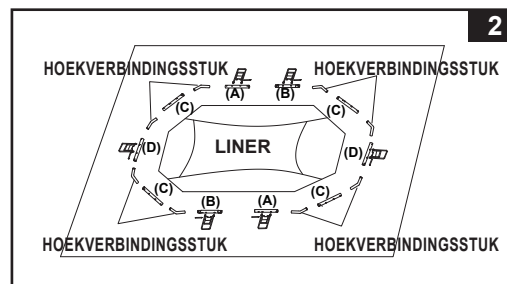
- Tijdens het opzetten van de "liner" richt u de slangaansluitingen richting een stopcontact. Het zwembad dient binnen bereik te zijn van een stopcontact voor het aansluiten van de filterpomp.

- Haal vervolgens alle andere onderdelen uit de doos en leg ze op de plaats neer, waar ze moeten worden geïnstalleerd. Controleer met behulp van de onderdelenlijst of alle onderdelen aanwezig zijn (zie afbeelding 2).

**BELANGRIJK: Begin niet met het opzetten als er enkele onderdelen missen. Neem dan eerst contact op met INTEX SERVICE (0165-593939).**

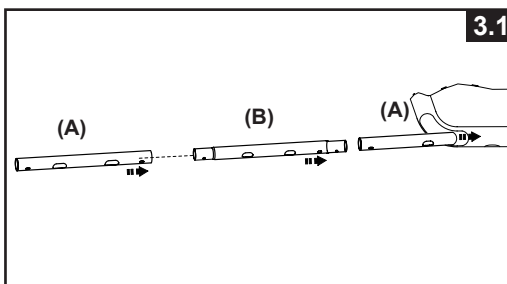
Als alles aanwezig is, schuif dan de onderdelen opzij om gemakkelijk met het opzetten te beginnen.

**NB: Strooi een beetje talkpoeder op de horizontale palen voordat u ze in de voering schuift. De palen kunnen aldus tijdens het uit elkaar halen van het zwembad eenvoudiger uit de voering worden verwijderd.**



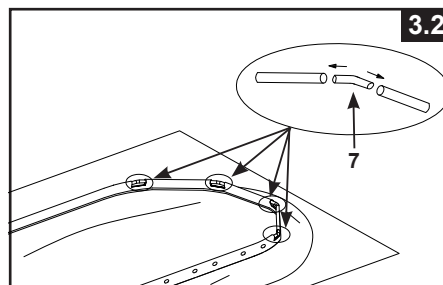
- Zorg, dat de "liner" helemaal is uitgevouwen en uitgespreid over het grondzeil. Te beginnen aan 1 kant: steek eerst een "A" buis in de "mouw"-opening, die aan elke hoek zit. Klik dan een "B" buis aan de "A" buis (en eventueel meerdere "B" buizen aan elkaar – zie handleiding) en vervolgens een "A" buis aan de (laatste) "B" buis (zie afbeelding 3.1).

Houd de openingen in de metalen buizen in lijn met de openingen in de witte "mouw" van de "liner". Steek nu ook de andere "A-B-A" buizen in de andere mouw-openingen.

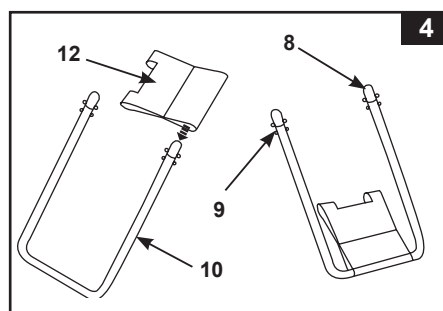


## MONTAGE ZWEMBAD (vervolg)

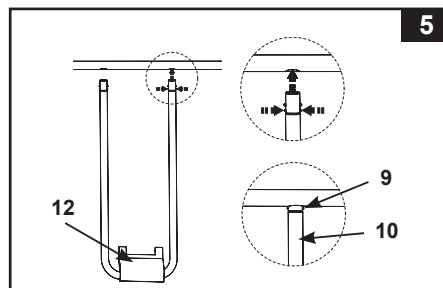
- Zet de hoekverbindingen voor de korte zijden van het zwembad vast door eerst een hoekverbinding (7) in de "A" buis aan te brengen en vervolgens een "D" buis in de hoesopening en over de hoekverbinding (7) te schuiven. Breng vervolgens alle hoekverbindingen en "D" buizen aan (zie afbeelding 3.2). (Zorg ervoor, dat aan alle vier de zijden de gaten in de metalen buizen gelijk zitten met de gaten in de mouwen van de "liner").
- De laatste aansluiting kan wat ingewikkelder zijn, als u de laatste buis meer dan 5 cm optilt is dit eenvoudiger. Stop de hoekverbinding in de buis terwijl u de onderdelen in de juiste positie laat zakken. De hoekverbinding schuift eenvoudig in de buis.



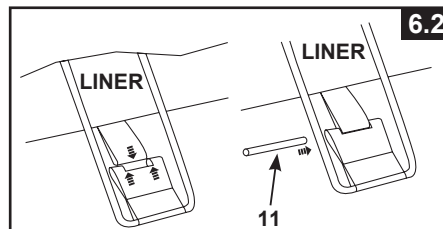
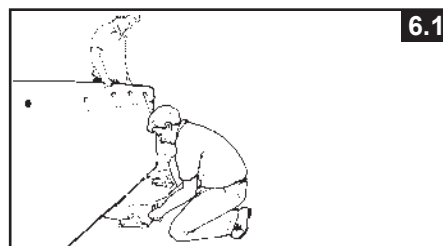
4. Schuif de spanflap (12) aan de grote U-vormige zijsteunen (10). Herhaal dit voor alle andere U-vormige steunen (zie afbeelding 4). **BELANGRIJK: Bij de volgende stap (#5) dient de "liner" PLAT op de grond te blijven liggen. Daarom is het zo belangrijk om een ruimte van 1,5 tot 2,0 meter rondom het bad vrij te hebben.**



5. De bovenkanten van de U-vormige zijsteunen hebben een dubbele springpin, die al door de fabriek is geïnstalleerd. Steek de zijsteunen in de gaten van de "A-B-A & D" buizen door de onderste knopjes in te knijpen. Als de zijsteun in het gat is geschoven, laat u de pin netjes los, de zijsteun "klikt" hierdoor op haar plaats. Herhaal dit bij alle zijsteunen (zie afbeelding 5).

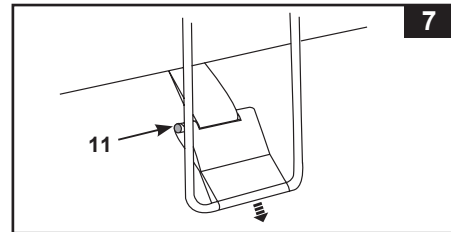


6. Laat 1 persoon binnenin het bad gaan staan en til dan gezamenlijk één hoek omhoog; steek de verbingsstaaf (11) door de in elkaar passende lussen om zo de flap van de "liner bodem" aan de flap, bevestigd aan de U-vormige zijsteun vast te maken. Voer dezelfde handeling uit met de andere voering- en vastzetriemen (zie afbeelding 6.1 & 6.2).

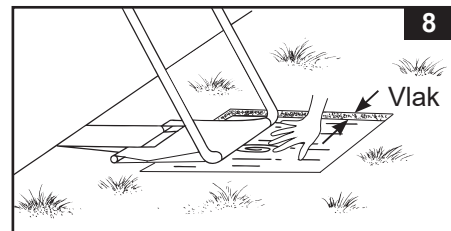


## MONTAGE ZWEMBAD (vervolg)

7. Duw de onderkant van de zijsteun zo ver mogelijk naar buiten, zodat de spanflappen strak staan. Doe hetzelfde bij alle zijsteunen en spanflappen (zie afbeelding 7).

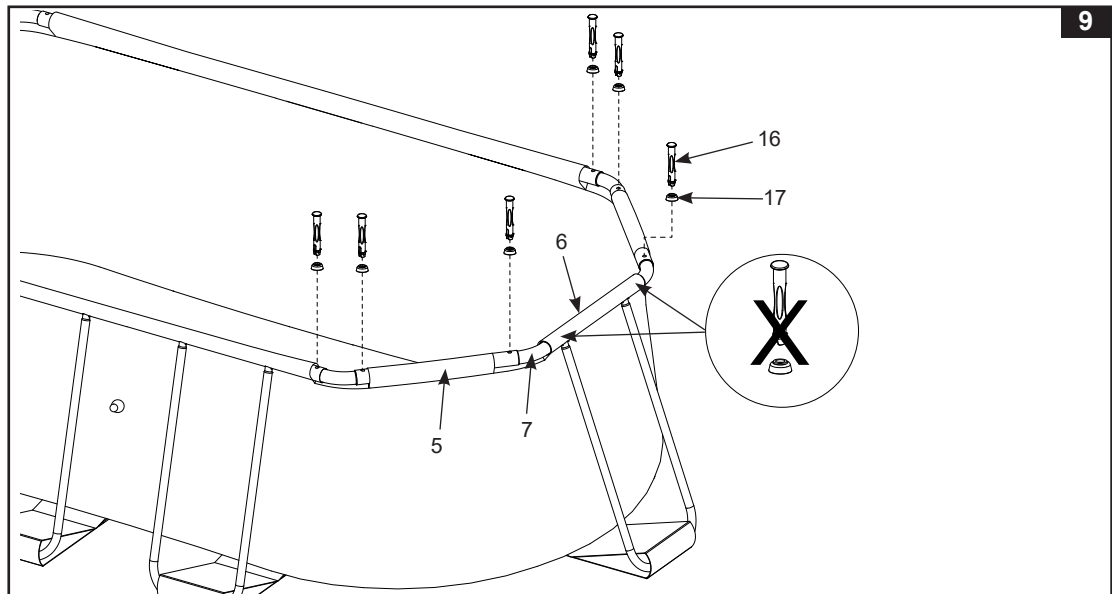


8. Als de ondergrond niet van asfalt, gras of compacte aarde is, graaf dan onder ELKE U-vormige zijsteun een hard-houten of MDF plankje van 38 x 38 x 3cm, verzonken in de bodem (bovenkant plankje gelijk met de grond). Het is erg belangrijk dat u de U-vormige zijsteunen in het midden van het plankje plaatst, met de houtnerf haaks op de steun (zie afbeelding 8).



**NB:** Zorg dat elke steunplaat is verzonken en gelijk met de grond is, en niet enkel op de grond is aangebracht. Gebruik geen steunen of platen op een gladde en effen oppervlak, de U-vormige steun zal naar buiten schuiven, waardoor het zwembad beschadigd zal worden en de garantie teniet zal gaan.

9. Stel het zwembad op startend bij één van de kortere zijden, stop een pen (16) door de dichting (17) en verbind het hoekverbindingsstuk (7) met de horizontale stang, ga vervolgens verder met de "C" stang (5). De middelste "D" stang (6) is ontworpen om over de hoekverbindingsstukken (7) beweegbaar te zijn. Stop geen pennen door de reeds geboorde gaten tussen de middelste "D" stang (6) en de hoekverbindingsstukken (7). Doe hetzelfde voor de andere korte zijde van het zwembad. Schud het zwembad om na te gaan of alle verbindingsstukken, poten en stangen stevig in elkaar zitten. Zorg dat alle pennen op de juiste plaats zitten door ze door de gaten omlaag te duwen (zie afbeelding 9). **LET OP: De middelste "D" stang is ontworpen om over de hoekverbindingsstukken beweegbaar te zijn en mag niet aan de hoekverbindingsstukken worden vastgemaakt. Deze zitten dus niet vast geklikt aan elkaar.**



10. Monteer de trap. De trap heeft afzonderlijke montage instructies, deze vind u in de doos van de trap.
11. Zet de gemonteerde trap over één van de kanten van het bad en laat één van de bad opbouwers in het bad komen om de plooien uit de bodem glad te strijken. Check meteen aan de binnenzijde van het bad of de uitloopplug goed in het uitloopventiel zit. Laat vervolgens door degene in het bad iedere hoek goed naar buiten duwen.

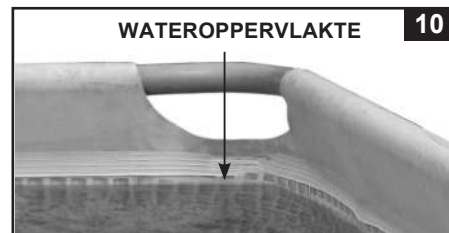
## MONTAGE ZWEMBAD (vervolg)

12. Voordat u het bad vult, controleer of de stop van de waterafvoer er aan de binnenzijde goed op zit. Controleer ook of de schroefdop aan de buitenkant er goed op is gedraaid. Verder dat alle U-vormige zijsteunen netjes in een rechte lijn liggen, alle spanflappen in het midden van de U-vormige zijsteunen zitten en strak en plat op de grond liggen. Vul het bad vervolgens met ca. 3 centimeter water. Kijk of er een opvallend verschil is in het waterniveau. Zorg dat alle hoekverbindingen (7) juist in de buizen zijn aangebracht voordat u het zwembad verder met water vult.

**BELANGRIJK:** Als het water naar één kant stroomt, staat het bad niet horizontaal. Het bad opzetten op een scheve ondergrond heeft als resultaat, dat het bad gaat hellen en de zijwand uitzakt. Als het bad niet geheel vlak staat, dient u het water weg te laten lopen, de ondergrond gelijk te maken en het bad opnieuw op te zetten.

Strijk alle plooien in de bodem zoveel mogelijk glad, door van binnenuit naar buiten toe te duwen naar daar waar de wand en bodem aan elkaar zitten (met blote voeten!). U kunt ook vanaf de buitenkant van het zwembad de plooien uit de bodem halen door de bodem op te pakken en er zachtjes aan te trekken. Als het grondzeil de plooien veroorzaakt pakt u met 2 personen beide kanten tegelijk vast en trekt u deze voorzichtig glad.

13. Vul het bad tot net onder de binnenste lasmouw lijn (zie afbeelding 10).  
**Opmerking:** tijdens het vullen van het bad zullen de buizen naar binnen leunen, dit trekt recht zodra het bad tot de aanbevolen hoeveelheid gevuld is.



## BELANGRIJK

Voor u iemand toestaat het bad te gebruiken, is het aan te raden met uw familie een bespreking te houden betreffende de aanbevolen veiligheidsregels en waarschuwingen zoals deze vermeld staan in deze handleiding. Bespreek deze regels regelmatig met alle gebruikers van het zwembad.

## ALGEMENE VEILIGHEIDSREGELS

Recreëren in het water is leuk en heilzaam. Maar er zijn ook risico's aan verbonden, die kunnen leiden tot ernstige ongelukken of zelfs de verdrinkingsdood. Voorkom risico's: lees alle instructies aandachtig door en volg ze nauwkeurig op. Realiseer dat de handleiding en alle meegeleverde instructies, u slechts in algemene zin op de gevaren van waterrecreatie kunnen wijzen. Het valt buiten de reikwijdte ervan om specifieke gevallen te behandelen. Wees dus altijd alert en gebruik uw gezond verstand. Uiteindelijk bent u zelf verantwoordelijk voor hoe u het product gebruikt.

Ter aanvulling nog enkele adviezen:

- Zorg voor constant toezicht. Wanneer kinderen gebruik maken van het zwembad dient een volwassene toezicht te houden.
- Leer zwemmen.
- Volg een cursus Eerste Hulp en leer mond-op-mond beademing.
- Zorg dat u op de hoogte bent van de gevaren van water en dat er veiligheidsmaatregelen getroffen zijn.
- Zorg dat de gebruikers van het zwembad op de hoogte zijn van de manier van handelen bij een noodgeval.
- Gebruik altijd uw gezond verstand bij spellen en activiteiten in het water.
- Houd toezicht, houd toezicht en houd toezicht.



## ONDERHOUD EN CHEMICALIËN

### ⚠ WAARSCHUWING

#### VERGEET NIET

- Bescherm alle badgebruikers voor ziektes veroorzaakt door vervuild water. Houd het badwater altijd in optimale conditie. Slik het water niet door. En zorg voor een goede persoonlijke hygiëne.
- Houd uw zwembad schoon en helder. De bodem van uw zwembad dient ten allen tijden zichtbaar te zijn.
- Houd kinderen uit de buurt van afdekzeilen om verstrikking, verdrinking of ander ernstig letsel te voorkomen.

#### Onderhouden van het water

Een juiste (chemische) balans van het water is heel erg belangrijk. Zowel voor de gezondheid en veiligheid van de badgebruikers alsook voor de levensduur van het zwembad zelf. Hanteer altijd de voorgeschreven werkwijze wanneer u het water test. Voor informatie over chemicaliën, testsets en juiste testmethode, neem contact op met uw zwembadspecialist (zie Gouden Gids) of bel Intex Service (0165-593939). Volg de instructies van de chemicaliënfabrikant altijd op.

1. Los chloor altijd volledig in water op, voordat het in direct contact komt met de 'liner'. Chloortabletten en korrels dienen of in de aparte dispenser te worden geplaatst of eerst in water opgelost te worden. Gooi ze nooit direct in het bad. Giet vloeibaar chloor eerst op verschillende plaatsen in het bad en roer het dan onmiddellijk door het badwater om het goed op te lossen.
2. Mix chemicaliën nooit door elkaar. Voeg ze altijd afzonderlijk aan het badwater toe. En roer het water eerst goed door, alvorens andere chemicaliën toe te voegen.
3. Intex heeft een skimmer en een reinigungsset in haar productenpakket. U kunt deze gebruiken om het zwembadwater schoon en helder te houden.
4. Gebruik geen hogedrukspuit om het bad schoon te maken.

## OPLOSSEN VAN PROBLEMEN

PROBLEEM	BESCHRIJVING	OORZAAK	OPLOSSING
ALGEN	<ul style="list-style-type: none"> <li>• Het water is groen.</li> <li>• Groene of zwarte plekken op liner.</li> <li>• Bodem is glibberig.</li> <li>• Vieze lucht.</li> </ul>	<ul style="list-style-type: none"> <li>• De pH en chloor waarden aanpassen.</li> </ul>	<ul style="list-style-type: none"> <li>• Doe een extra chloor behandeling. En houd de chloor waarde in de gaten.</li> <li>• De bodem schoon zuigen.</li> <li>• Houd juiste chloorwaarde op peil.</li> </ul>
GEKLEURD WATER	<ul style="list-style-type: none"> <li>• Water wordt blauw, bruin of zwart bij eerste chloor behandeling. Dit is normaal.</li> </ul>	<ul style="list-style-type: none"> <li>• Koper, ijzer of mangaan in water, dat zich met chloor verbindt.</li> </ul>	<ul style="list-style-type: none"> <li>• pH waarde aanpassen.</li> <li>• Draai de filterpomp tot het water schoon is.</li> <li>• Filter regelmatig vervangen.</li> </ul>
ZWEVENDE DELEN IN HET WATER	<ul style="list-style-type: none"> <li>• Water is melkachtig of wolkig.</li> </ul>	<ul style="list-style-type: none"> <li>• Hard water tengevolge van te lage pH waarde.</li> <li>• Chloor waarde is te laag.</li> <li>• Voorwerp in water.</li> </ul>	<ul style="list-style-type: none"> <li>• De pH aanpassen. Informeer bij uw specialist.</li> <li>• Chloor waarde aanpassen.</li> <li>• Filter vervangen.</li> </ul>
WATERNIVEAU ALTIJD TE LAAG	<ul style="list-style-type: none"> <li>• Waterniveau is lager dan gisteren.</li> </ul>	<ul style="list-style-type: none"> <li>• Scheur of gat in wand of slang.</li> <li>• Lekkage uit aansluitingen.</li> </ul>	<ul style="list-style-type: none"> <li>• Bad repareren m.b.v. reparatieset/slang vervangen.</li> <li>• Slangklemmen vastdraaien.</li> </ul>
NEERSLAG OP BODEM	<ul style="list-style-type: none"> <li>• Vuil of zand op bodem.</li> </ul>	<ul style="list-style-type: none"> <li>• Veelvuldig in en uit bad.</li> </ul>	<ul style="list-style-type: none"> <li>• Bodem zuigen met INTEX bodemstofzuiger.</li> </ul>
WATEROPPERVLAK VIES	<ul style="list-style-type: none"> <li>• Takjes, bladeren, etc.</li> </ul>	<ul style="list-style-type: none"> <li>• Bad staat te dicht bij bomen of struiken.</li> </ul>	<ul style="list-style-type: none"> <li>• Gebruik een INTEX skimmer.</li> </ul>

## ONDERHOUD & WATERAFVOER



### WAARSCHUWING

VOLG DE AANBEVELINGEN VAN DE CHEMICALIËN FABRIKANT  
ALTIJD OP EN LET OP DE VOORSCHRIFTEN VOOR GEZONDHEID.

Voeg geen chemicaliën toe aan het water wanneer het bad in gebruik is. Dit kan huid- en oogirritaties veroorzaken. Geconcentreerde chlooroplossingen kunnen de badwand aantasten. Noch Intex Recreation Corp., Intex Development Co. Ltd., Intex Trading B.V., noch gelieerde bedrijven, agenten, service centers, wederverkopers en medewerkers zijn verantwoordelijk jegens de koper of een derde voor het verloren gaan van water en/of chemicaliën of voor schade, ontstaan door het opzetten en/of gebruik van het zwembad.

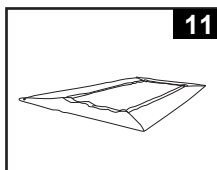
Houd altijd een paar nieuwe filter cartridges bij de hand. Vervang de cartridge regelmatig. Zie voor aanwijzingen hierover de handleiding van de pomp. Gebruik bij uw INTEX bad bij voorkeur een Krystal Clear™ INTEX Filter Pomp.

**HARDE REGEN:** Wanneer regenwater ervoor zorgt dat het waterpeil boven het maximum komt te staan dient u het te veel aan water direct af te voeren.

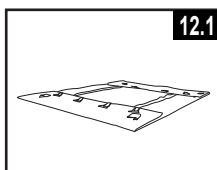
### LEEGMAKEN EN OPBERGEN VAN UW ZWEMBAD

**NB:** Dit zwembad heeft in 2 hoeken een uitloopventiel. Sluit de tuinslang aan op die aansluiting, die het water naar de juiste plaats afvoert.

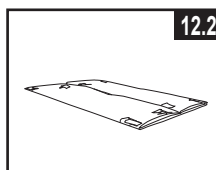
- Houd u aan de gemeentelijke voorschriften voor het laten weglopen van het badwater.
- Zorg dat aan de binnenzijde van het bad de plug goed in de waterafvoer zit.
- Draai aan de buitenkant de dop los van de waterafvoer. Bewaar de dop goed.
- Bevestig een tuinslang op het waterafvoer verloopstuk.
- Plaats het uiteinde van de slang zo dat het water veilig en weg van het huis kan worden afgevoerd.
- Draai het verloopstuk op de waterafvoer. **NB: Het verloopstuk duwt de plug (binnenkant zwembad) los zodat het water meteen het bad uitstroomt.**
- Wanneer het zwembad zo ver mogelijk geleegd is, til dan de kant tegenover het ventiel op, zodat het resterende water het ventiel uit kan lopen en het zwembad helemaal leeg is.
- Verwijder het verloopstuk met tuinslang wanneer bad leeg is.
- Steek de plug weer in de waterafvoer aan de binnenkant van het bad.
- Draai aan de buitenkant de dop er weer op.
- Volg de montage instructies in de omgekeerde volgorde om het bad verder af te breken.
- Zorg ervoor dat het bad en alle accessoires helemaal droog zijn alvorens u deze opbergt. De liner dient aan de lucht gedroogd te worden (**zie afbeelding 11**). Berg ze pas op als alles echt helemaal goed droog is. Bestrooi uw bad met talkpoeder om te voorkomen dat het vinyl aan elkaar plakt en om eventueel vocht te absorberen.
- Opvouwen: Vouw de bodem van het bad in een rechthoekvorm. Begin aan één kant en sla 1/6 deel 2 x naar binnen. Doe hetzelfde aan de andere kant (**zie afbeelding 12.1 & 12.2**).
- De opgevouwen linker- en rechterkant liggen nu tegen elkaar aan. Sla links over rechts, alsof u een boek dichtslaat (**zie afbeelding 13.1 & 13.2**).
- Vouw de twee lange zijden naar het midden toe (**zie afbeelding 14**).
- Vouw één zijde over de andere (**zie afbeelding 15**).
- Berg alles op in een droge ruimte met een constante temperatuur tussen de 0°C. en 40°C. Niet op de grond bewaren.
- Gebruik de originele verpakking voor het bergen van uw badeenheid.



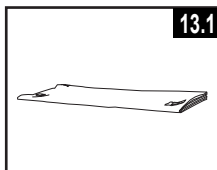
11



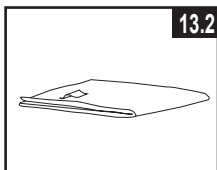
12.1



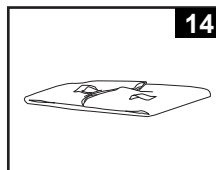
12.2



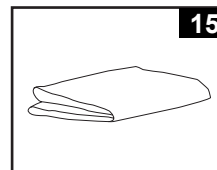
13.1



13.2



14



15

## WINTERKLAAR MAKEN

### Winterklaar maken van het zwembad:

Na gebruik kunt u het bad gemakkelijk leeg maken en opbergen in een daarvoor geschikte ruimte. U dient het bad te legen en op de juiste te demonteren en schoon en droog te maken indien de temperatuur onder de 5 graden komt om ijschade aan het bad en de accessoires te voorkomen. Ijschade kan blijvende beschadiging aan de liner veroorzaken of zorgen voor instorting. Zie ook "hoe het zwembad te legen".

Indien u in een gebied woont waar de temperatuur niet onder de 5 graden raakt en u ervoor kiest om het bad te laten staan, dient u de volgende voorzorgsmaatregelen te nemen:

1. Reinig het zwembad zorgvuldig. Bent u in het bezit van een Easy Set Pool, let er dan op dat de opblaasbare ring volledig is opgeblazen.
2. Verwijder eventueel de skimmer en andere reinigungsaccessoires die verbonden zijn aan de zeef. Schroef de bovenzijde van de zeef terug indien nodig. Reinig alle accessoires nauwkeurig. Laat alles goed aan de lucht drogen voor u ze opbergt.
3. Voor baden van 488 cm en kleiner: plaats de bijgeleverde zwarte pluggen in de slangaansluitingen aan de binnenkant. Voor baden van 518 cm en groter: sluit de afsluiters op beide slangaansluitingen.
4. Verwijder eventueel de trap. Laat de trap goed drogen voordat u deze opbergt in een veilige ruimte.
5. Verwijder de slangen die de filterpomp aan het bad verbinden.
6. Voeg speciale chemicaliën toe voor de winterperiode. Welke u nodig heeft, kan per gebied verschillen. Raadpleeg hierbij uw zwembadspecialist.
7. Dek uw zwembad af met een Intex afdekzeil. **BELANGRIJK: EEN INTEX AFDEKZEIL IS GEEN VEILIGHEIDSAFDEKZEIL.**
8. Reinig de filterpomp en de bijbehorende slangen nauwkeurig. Laat alles goed aan de lucht drogen. Verwijder de oude filter cartridge. Zorg voor een reserve (ongebruikte) filter voor het volgende seizoen.
9. Berg de filterpomp en diens bijbehorende accessoires binnenshuis op in een veilige, droge ruimte met een constante temperatuur tussen de 0°C en 40°C.

## VERKLARING VAN BEPERKTE GARANTIE

Uw Intex zwembad is geproduceerd met de hoogste kwaliteit materialen en vakmanschap. Alle Intex producten zijn gecontroleerd en in orde bevonden vóór het verlaten van de fabriek. Deze beperkte garantie geldt alleen voor het Intex Zwembad.

Deze beperkte garantie wordt verstrekt als aanvulling op en zonder afbreuk te doen aan uw consumentenrechten. Indien deze garantie niet overeenkomt met een van uw wettelijke rechten, zullen de wettelijke rechten gelden.

De voorwaarden van deze Beperkte Garantie gelden slechts jegens de eerste eigenaar. Deze beperkte garantie is geldig voor de onderstaande periode vanaf de aankoopdatum. Bewaar uw originele aankoopbon bij deze handleiding, daar het aankoopbewijs dient te worden overlegd ingeval van een klacht. Zonder aankoopbon is deze Beperkte Garantie niet geldig.

Garantie van de zwembadvoering en frame - 1 jaar

Indien er zich een productiefout voordoet binnen de periode van 1 jaar kunt u contact opnemen met het juiste service center, te vinden in de lijst met service centers. INTEX SERVICE zal de klacht met u bespreken en u eventueel vragen het artikel op te sturen voor inspectie. Is uw klacht gegrond en is aan de voorwaarden van deze Beperkte Garantie voldaan, dan wordt het artikel gerepareerd dan wel omgeruild en aan u geretourneerd, zonder kosten voor u. Indien er sprake is van garantie zal het product kosteloos gerepareerd worden of vervangen voor hetzelfde of een gelijkwaardig product (Intex bepalende factor).

Andere garanties dan deze en de wettelijk bepaalde rechten in uw land zijn niet van toepassing. Intex, haar agentschappen en/of medewerkers zijn onder geen enkele voorwaarde aansprakelijk jegens de koper of enige andere partij voor indirecte of vervolgschade veroorzaakt door Intex Zwembad van welke aard dan ook. Het is mogelijk dat sommige landen of rechtsgebieden de uitsluiting of beperking van aansprakelijkheid wegens bijkomende schade of gevolgschade niet toelaten. In dit geval zijn de bovenstaande uitsluitingen mogelijk niet van toepassing op u.

Deze beperkte garantie is niet van toepassing in onderstaande gevallen:

- Indien Intex Zwembad is onderworpen aan nalatigheid, abnormaal gebruik of toepassing, een ongeluk, onjuist gebruik, onderhoud of opslag.
- Indien Intex Zwembad onderhevig is aan schade veroorzaakt door omstandigheden buiten de macht van Intex, inclusief maar niet beperkt tot, gaatjes, scheuren, schaafplekken, normale slijtage of beschadiging veroorzaakt door blootstelling aan vuur, overstroming, vrieskou, regen en andere natuurkrachten.
- Op artikelen welke niet van het merk Intex zijn of Intex artikelen welke in combinatie met artikelen/onderdelen van een ander merk gebruikt worden; en/of
- Indien er aanpassingen, reparaties of demontage van Intex Zwembad zijn uitgevoerd door iemand anders dan een medewerker van Intex service.

Kosten van water, chemicaliën of waterschade worden niet door deze garantie gedekt. Tevens is de garantie niet van toepassing bij schade aan eigendommen of personen.

Lees de handleiding zorgvuldig voordat u het product gebruikt. Volg alle instructies nauwkeurig op voor het correct opzetten, afbreken en onderhouden van uw Intex zwembad. Inspecteer het product altijd alvorens u het in gebruik neemt. Als u de aanwijzingen niet opvolgt, kan de Beperkte Garantie vervallen.



INTEX

Don't forget to try these other fine Intex products: Pools, Pool Accessories, Inflatable Pools and In-Home Toys, Airbeds and Boats available at fine retailers or visit our website.

N'oubliez pas d'essayer les autres produits de la gamme Intex : piscines hors sol, accessoires de piscine, piscines gonflables, jouets d'intérieur gonflables, airbeds et bateaux. Ces produits sont disponibles chez les différents revendeurs ou sur notre site internet.

No se olvide de probar otros productos Intex: Piscinas, Accesorios para piscinas, Piscinas inflables, Juguetes, Camas de aire y barcas están disponibles en nuestros distribuidores o visitando nuestra página web.

Wenn Sie Lust verspüren noch andere Intex Produkte auszuprobieren, wie unser Pool-Zubehör oder die Luftbetten, sowie die Spielwaren oder die Boote ... , dann besuchen Sie uns doch einfach auf unserer Homepage unter [www.steinbach.at](http://www.steinbach.at), einige Produkte sind auch im Fachhandel erhältlich.

Non dimenticate di acquistare anche gli altri prodotti Intex: Le Piscine fuori terra, gli Accessori per piscine, le Piscine gonfiabili, I Prodotti In-Toyz, i Materassi gonfiabili Airbed e i Canotti sono prodotti Intex disponibili presso i rivenditori oppure visitando il sito Internet.

Probeer ook eens onze andere Intex producten, zoals: zwembad accessoires, opblaasbare zwembaden, speelgoed voor binnenshuis, luchtbedden en boten. Te verkrijgen bij de betere speelgoed- en zwembadwinkels. Of kijk eens op onze website.

©2020 Intex Marketing Ltd. - Intex Development Co. Ltd.

- Intex Recreation Corp.

All rights reserved/Tous droits réservés/Todos los derechos reservados/Alle Rechte vorbehalten.

Printed in China/Imprimé en Chine/Impreso en China/  
Gedruckt in China.

®™ Trademarks used in some countries of the world under license from/®™ Marques utilisées dans certains pays sous licence de/Marcas registradas utilizadas en algunos países del mundo bajo licencia de/Warenzeichen verwendet in einigen Ländern der Welt in Lizenz von/Intex Marketing Ltd. to/à/a/an Intex Development Co. Ltd., G.P.O Box 28829, Hong Kong & Intex Recreation Corp., P.O. Box 1440, Long Beach, CA 90801 • Distributed in the European Union by/Distribué dans l'Union Européenne par/Distribuido en la Unión Europea por/Vertrieb in der Europäischen Union durch/Intex Trading B.V., Venneveld 9, 4705 RR Roosendaal – The Netherlands  
[www.intexcorp.com](http://www.intexcorp.com)

**INTEX®**